

# SPECIFICATIONS

**FREQUENCY BAND** RX: 3.400-4.200 GHz  
TX: 5.700-6.725 GHz

**INSERTION LOSS** RX: 0.20 dB MAX  
TX: 0.20 dB MAX

**VSWR** RX: 1.30:1 dB MAX  
TX: 1.30:1 dB MAX

**ISOLATION** TX/RX: 85 dB MIN  
RX/TX: 40 dB MIN

**CROSSPOL** : 35 dB MIN

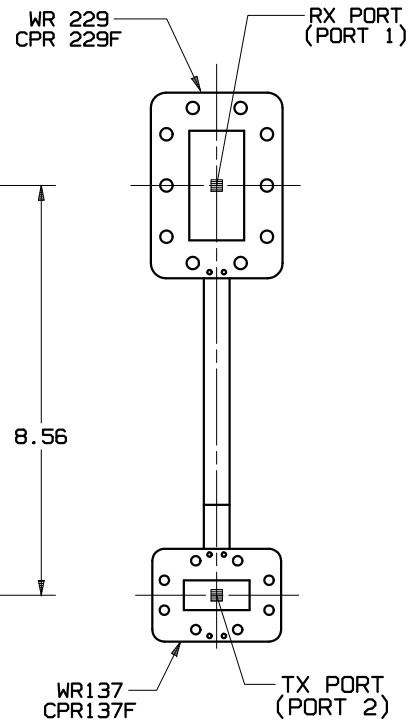
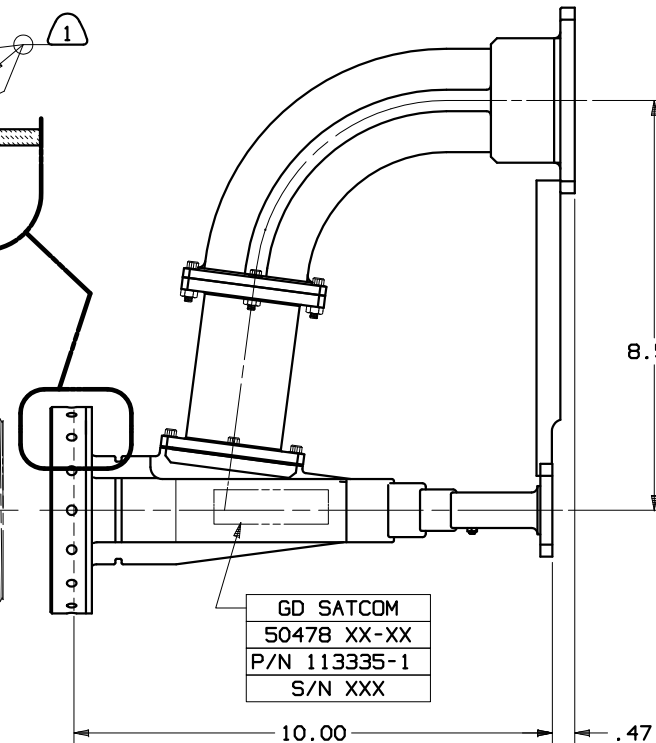
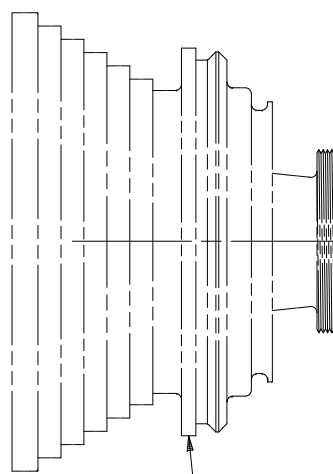
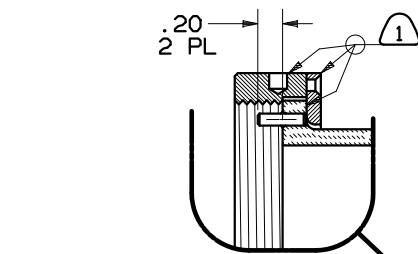
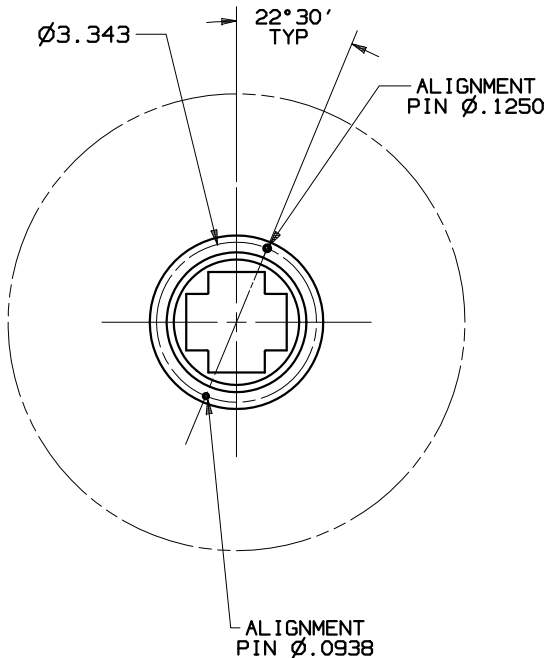
**POWER HANDLING** : 2 KW CW

**PRESSURIZATION** : PRESSURE TESTED TO 5 PSIG

**FINISH:**  
COMMON PORT: ZINC-NICKEL PLATED PER AMS2417G  
TYPE II, CLASS 2  
RX AND TX PORTS: COPPER ALLOY  
EXTERIOR: WHITE PAINT, COLOR  
NO. 17875 PER FED-STD-585

① SURFACES FREE OF PRIMER & PAINT

REVISIONS			
REV	DESCRIPTION	DATE	APPROVED
D	SEE ECN# 3015	09-13-10	



NOTES: UNLESS OTHERWISE SPECIFIED.

UNLESS OTHERWISE SPECIFIED		SIGNATURES		DATE		GENERAL DYNAMICS PROPRIETARY						
DIMENSIONS ARE IN INCHES		DRAWN: L. TOVALIN		09-16-04		<b>GENERAL DYNAMICS</b> SATCOM Technologies 3111 Fujita St., Torrance, CA 90505, (310) 539-6704						
TOLERANCES-		CHECKED:		09-27-04								
SURFACE .XX ±.01		ENGRG:				<b>C-BAND 2-PORT Rx/Tx</b> <b>X-POL, 800 MHz</b>						
.XXX ±.002		ENGRG:										
.XXXX ±.0010		ENGRG:				SIZE C		FSCM No. 50478		DWG No. 113335-1		REV D
32 ✓ ANGLES ±0°30'		ENGRG:				SCALE: 1:2				SHEET 1		
MATERIAL:		EAR CONTROLLED:		Export or re-export subject to 15 CFR 700-799.								
NEXT ASSY:												