

SPECIFICATIONS

FREQUENCY BAND RX: 3.400-4.200 GHz
TX: 5.700-6.725 GHz

INSERTION LOSS RX: 0.30 dB MAX
TX: 0.20 dB MAX

VSWR RX: 1.30:1 dB MAX
TX: 1.30:1 dB MAX

ISOLATION TX/RX: 85 dB MIN
RX/TX: 40 dB MIN

CROSSPOL : 35 dB MIN

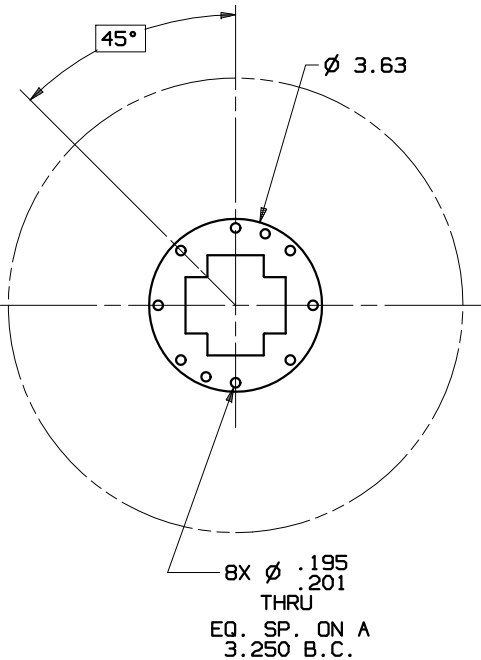
POWER HANDLING : 2 KW CW

PRESSURIZATION: PRESSURE TESTED TO 2 PSIG

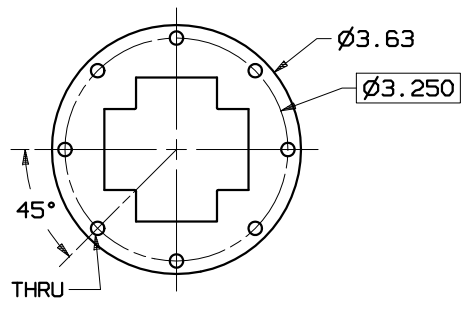
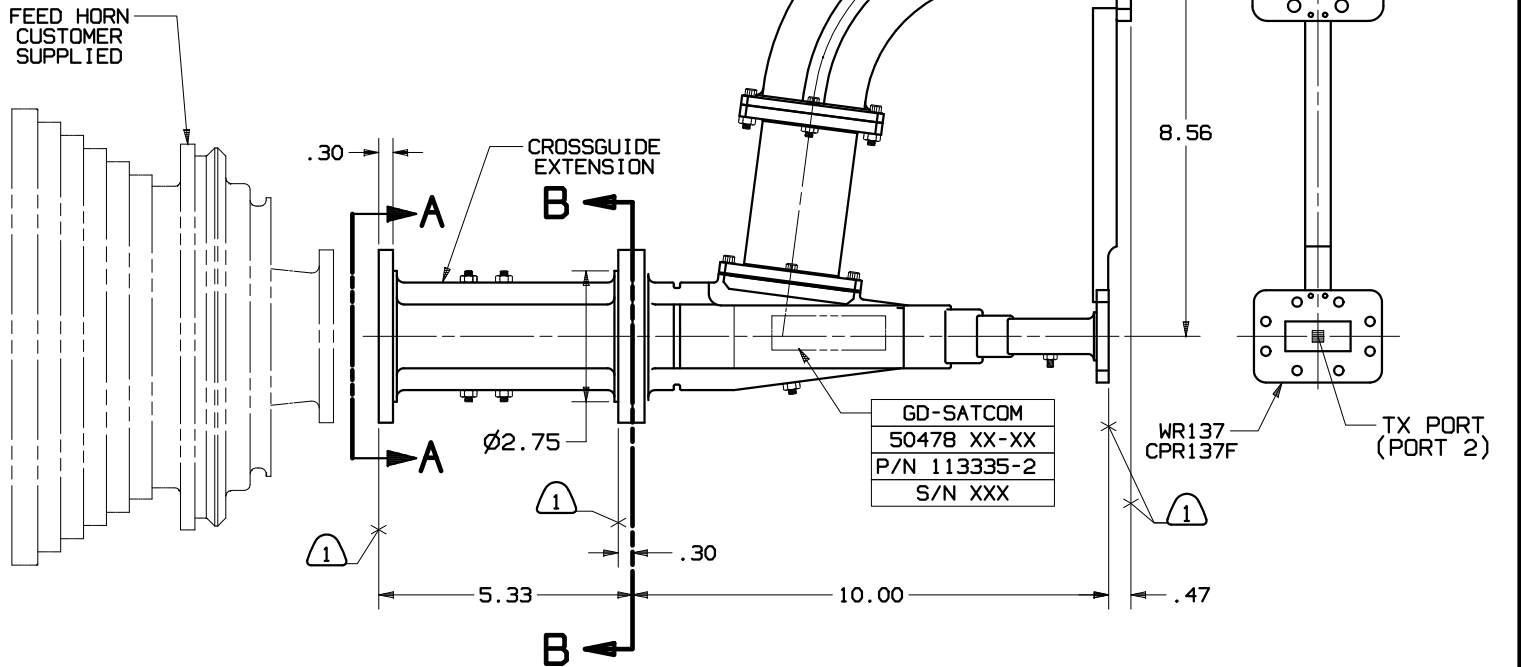
FINISH:
FLANGE FACES: ZINC-NICKEL PLATED PER AMS 2417G, TYPE II, CLASS 2
EXTERIOR: WHITE PAINT, COLOR NO. 17875 PER FED-STD-585

① SURFACES FREE OF PRIMER & PAINT

REVISIONS			
REV	DESCRIPTION	DATE	APPROVED
D	SEE ECN 2646	02-12-10	H.S.



SECTION A-A



SECTION B-B

NOTES: UNLESS OTHERWISE SPECIFIED.

UNLESS OTHERWISE SPECIFIED		APPROVALS	DATE	GENERAL DYNAMICS PROPRIETARY	
INTERPRET DIMENSIONING & TOLERANCING PER ANSI Y14.5M-1982. DIMENSIONS ARE IN INCHES. DIMENSIONS SHOWN IN () ARE FOR REFERENCE ONLY. TOLERANCES ARE:		DRAWN: L. TOVALIN	02-02-05	GENERAL DYNAMICS SATCOM Technologies 3111 Fujita St., Torrance, CA 90505, (310) 539-6704 C-BAND 2-PORT Rx/Tx X-POL, 800 MHz	
SURFACE- TOLERANCES- 32 ✓ .XX ±.01 .XXX ±.005 .XXXX ± ANGLES ±0°30'		CHECKED: H. Spieleder	02-02-05		
MATERIAL:		ENG: B			
		MFG:			
		QA:		EAR CONTROLLED: Export or re-export subject to 15 CFR 700-799.	
		SIZE FSCM No. DWG No. C 50478 113335-2			
		SCALE: 1:2 SHEET 1			