

SPECIFICATIONS

FREQUENCY BAND Rx: 4.500-4.800 GHz
Tx: 6.725-7.025 GHz

INSERTION LOSS Rx: 0.30 dB MAX
Tx: 0.20 dB MAX

VSWR Rx: 1.30:1 MAX
Tx: 1.30:1 MAX

ISOLATION Tx/Rx: 50 dB MIN
Rx/Tx: 20 dB MIN

AXIAL RATIO : 1.23 (1.8 dB MAX)

POWER HANDLING : 5 KW CW

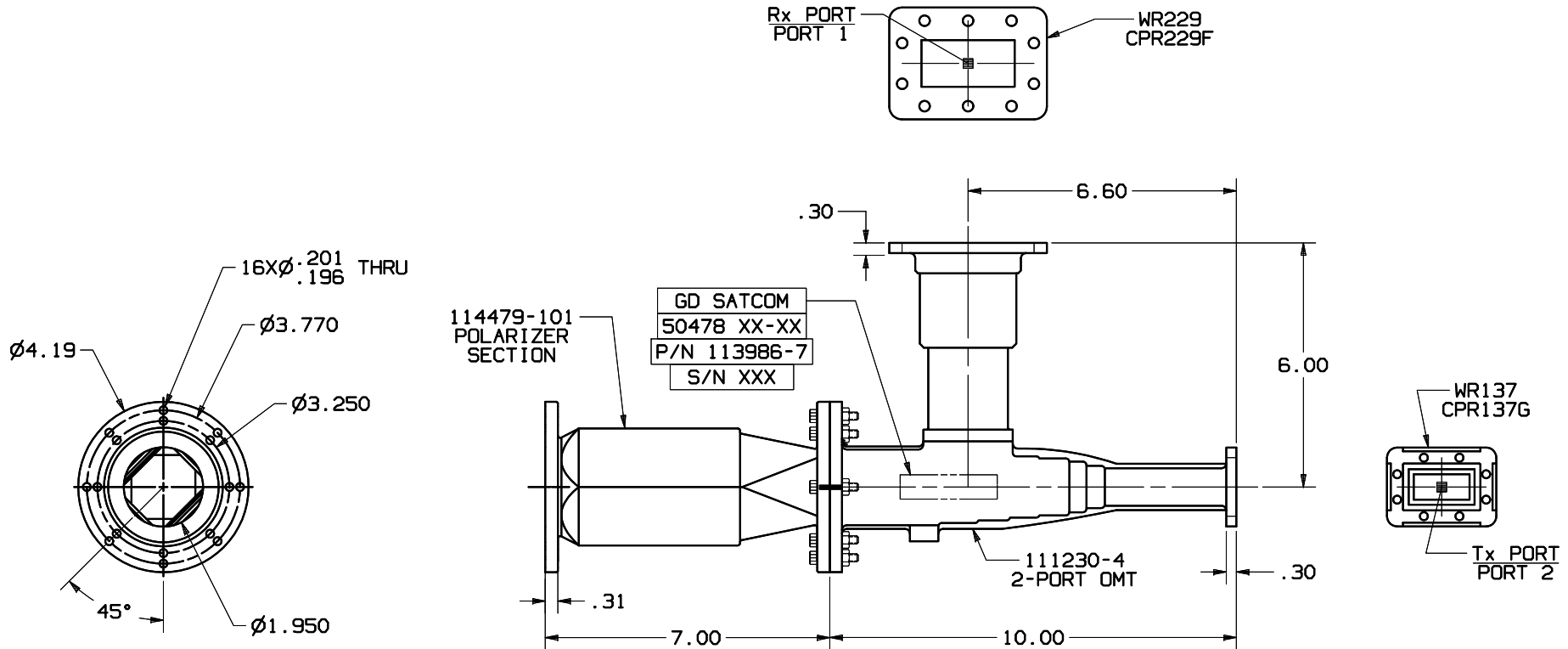
PRESSURIZATION : SEALED TO 0.5 PSIG

FINISH: Rx & Tx
FLANGE FACES: CHROMATE CONVERSION COATED
PER MIL-DTL-5541F, CLASS 1A

EXTERIOR: WHITE PAINT, COLOR No 17875
PER FED-STD-595

REVISIONS

REV	DESCRIPTION	DATE	APPROVED
-	INITIAL RELEASE	07-27-12	



NOTES: UNLESS OTHERWISE SPECIFIED.

UNLESS OTHERWISE SPECIFIED INTERPRET DIMENSIONING & TOLERANCING PER ANSI Y14.5M-1982. DIMENSIONS ARE IN INCHES. DIMENSIONS SHOWN IN () ARE FOR REFERENCE ONLY. TOLERANCES ARE: SURFACE- TOLERANCES- .XX ±.03 .XXX ±.004 .XXXX ± ANGLES ±0°30' MATERIAL:	APPROVALS DRAWN: A.MORA CHECKED: H.Spieleder ENGRG: HFG: QA:	DATE 06-02-10 06-02-10	GENERAL DYNAMICS PROPRIETARY GENERAL DYNAMICS SATCOM Technologies 3111 Fujita St., Torrance, CA 90505, (310) 539-6704 C-BAND 2-PORT Rx/Tx CIRCULAR POLARIZED	
	EAR CONTROLLED: Export or re-export subject to 15 CFR 700-799.			
	SIZE: C	FSCM No. 50478		DWG No. 113986-7
	SCALE: 1:2	SHEET 1		REV -