

SPECIFICATIONS

FREQUENCY BAND Rx: 4.500-4.800 GHz
Tx: 6.725-7.025 GHz

INSERTION LOSS Rx: 0.40 dB MAX
Tx: 0.20 dB MAX

VSWR Rx: 1.30:1 MAX
Tx: 1.30:1 MAX

ISOLATION Tx/Rx: 115 dB MIN
Rx/Tx: 20 dB MIN

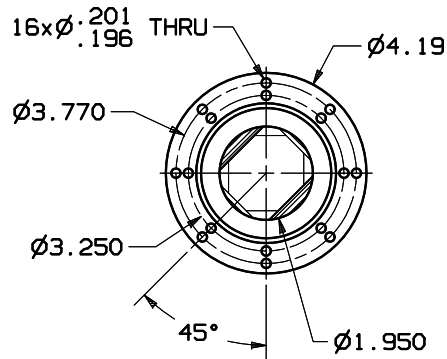
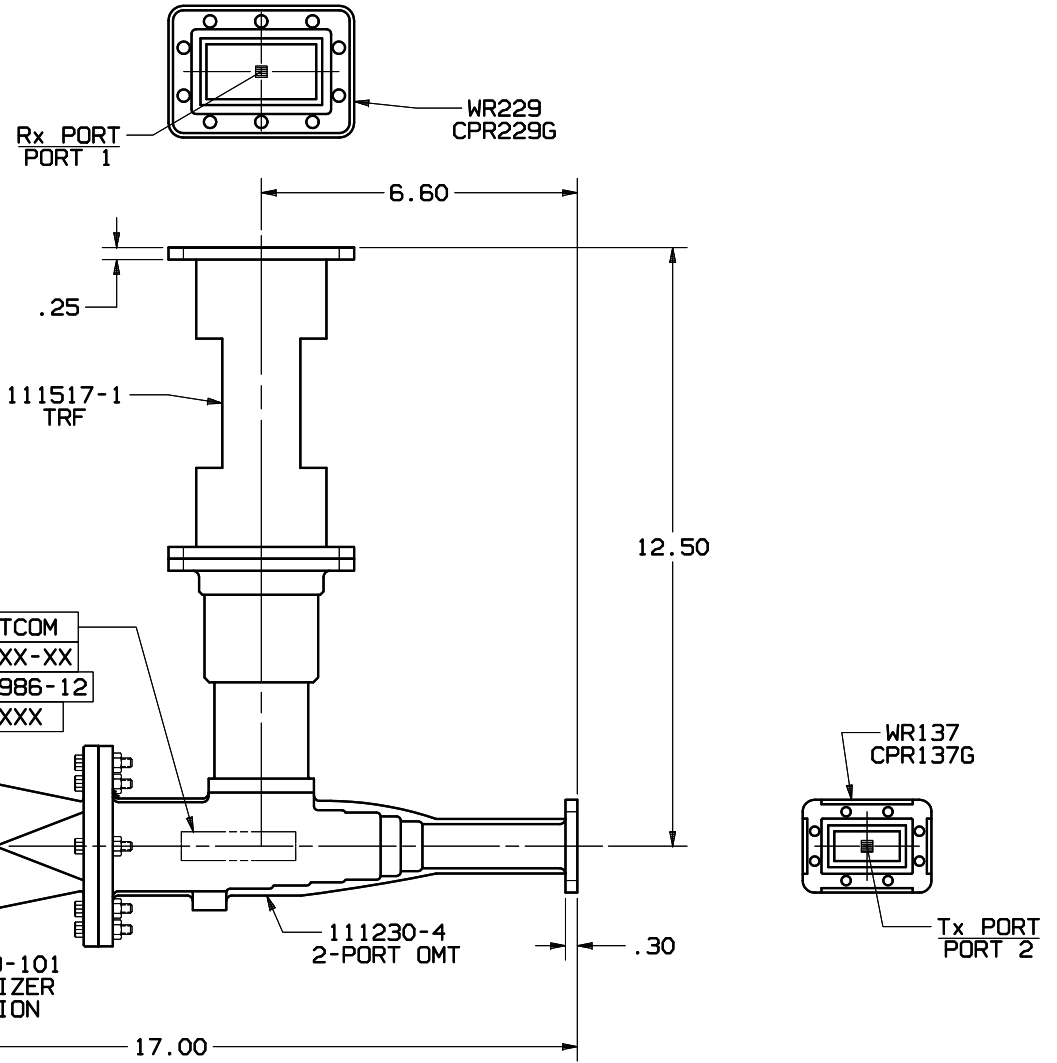
AXIAL RATIO : 1.23 (1.8 dB MAX)

POWER HANDLING : 5 KW CW

PRESSURIZATION : SEALED TO 0.5 PSIG

FINISH
FLANGE FACES: CHROMATE CONVERSION COATED PER MIL-DTL-5541F, TYPE II, CLASS 1A
EXTERIOR: WHITE PAINT, COLOR No 17875 PER FED-STD-595

REVISIONS			
REV	DESCRIPTION	DATE	APPROVED
A	REVISED PER DR 11974		



UNLESS OTHERWISE SPECIFIED INTERPRET DIMENSIONING AND TOLERANCING PER ANSI Y14.5M-1982. DIMENSIONS ARE IN INCHES. TOLERANCES ARE: SURFACE - TOLERANCES: .XX ±.03 .XXX ±.004 .XXXX ± ANGLES ±0°30' RoHS IN COMPLIANCE WITH EU DIRECTIVE 2002/95/EC NO Pb,Cd,Hg,Cr+6,PBB, OR PBDE INTENTIONALLY ADDED TO THIS PART.	APPROVALS DRAWN: H. Lim CHECKED: R. Baltazar ENGRG: HFG: QA:	DATE 05-16-12 05-16-12	GENERAL DYNAMICS PROPRIETARY GENERAL DYNAMICS SATCOM Technologies 3111 Fujita St., Torrance, CA 90505, (310) 539-6704 C-BAND 2-PORT Rx/Tx CIRCULAR POLARIZED
	EAR CONTROLLED: Export or re-export subject to 15 CFR 700-799.	SIZE: C SCALE: 1:2	

NOTES: UNLESS OTHERWISE SPECIFIED.