

SPECIFICATIONS

FREQUENCY BAND : 3.625 - 4.200 GHz
 (BOTH PORTS) : 4.500 - 4.800 GHz

VSWR : 1.30:1 MAX

ISOLATION : 20 dB MIM

AXIAL RATIO : 2.30 dB MAX

POLARIZATION : RHCP and LHCP

F/D : (0.7)

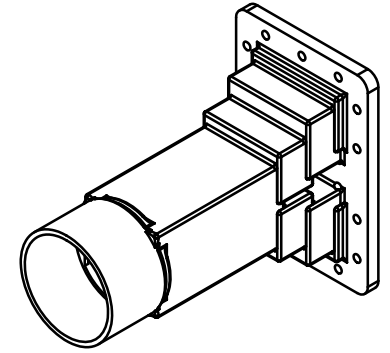
BEAM WIDTH (3 dB) : (70°)

FINISH: INTERIOR & FLANGE FACES : CHROMATE CONVERSION COATED (IAW: MIL-DTL-5541F, TYPE II, CLASS 1A)

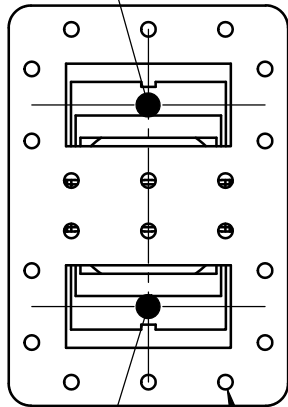
1 EXTERIOR : WHITE PAINT, COLOR N_o 17875 (PER FED-STD-595)

REVISIONS

REV	DESCRIPTION	EFFECTIVE DATE	APPROVED
-	INITIAL RELEASE	04-30-13	J. KERPAN
A	REVISED PER EC 12713		

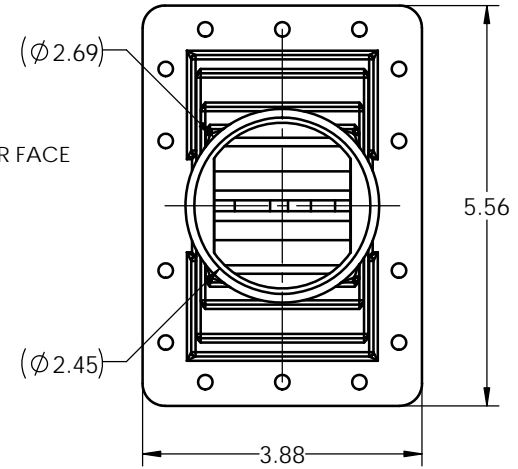
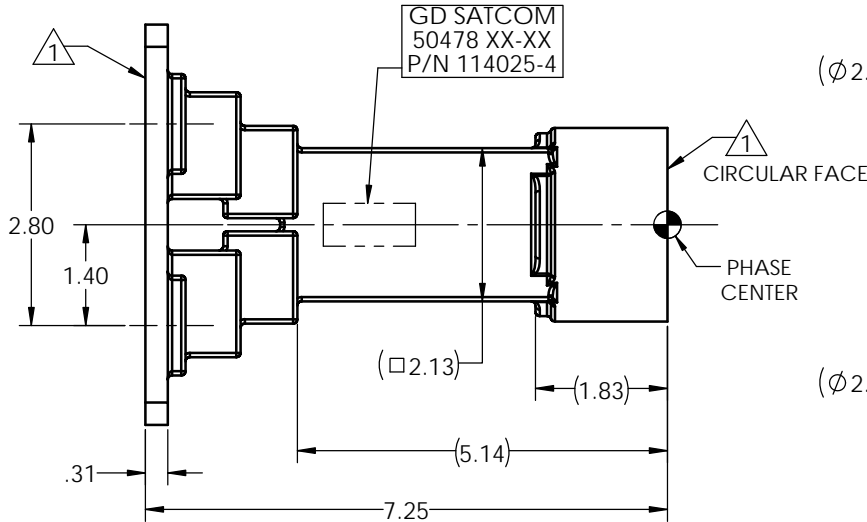


PORT 1 (RHCP)
WR229 CPR229F



PORT 2 (LHCP)
WR229 CPR229F

20X 1/4-20 UNC - 2B ∇ .31



2 ALL SURFACES EXCEPT FLANGE FACES. (REF NOTE 1)

1 REFER TO FINISH AT SPECIFICATION CHART

NOTES: UNLESS OTHERWISE SPECIFIED.

UNLESS OTHERWISE SPECIFIED

INTERPRET DIMENSIONING & TOLERANCING PER ANSI Y14.5M-1992. DIMENSIONS ARE IN INCHES. DIMENSIONS SHOWN IN () ARE FOR REFERENCE ONLY. TOLERANCES ARE:

SURFACE- TOLERANCES-

63 ✓ XX \pm .03
 XXX \pm .005
 XXXX \pm .002
 ANGLES \pm 0°30'

MATERIAL:
ALUMINUM
ALY A356

APPROVALS DATE

DRAWN: A. BACA 12-03-12

CHECKED: H. Spieleder 12-10-12

RF-ENG:

MFG-ENG:

ENG-MGR:

EAR CONTROLLED:

Export or re-export
subject to 15 CFR
700 - 799

GENERAL DYNAMICS PROPRIETARY

**GENERAL DYNAMICS
SATCOM Technologies**

3111 Fujita Street, Torrance CA 90505, (310) 539-6704

**C-BAND 2-PORT Rx/O FEED
PRIME FOCUS F/D 0.4**

SIZE C	FSCM N _o 50478	DWG N _o 114025-4	REV A
SCALE: 3:4		SHEET 1	