

SPECIFICATIONS

FREQUENCY BAND Rx: 3.400 - 4.200 GHz
Tx: 5.725 - 6.725 GHz

INSERTION LOSS Rx: 0.30 dB MAX
Tx: 0.30 dB MAX

VSWR Rx: 1.25:1 MAX
Tx: 1.25:1 MAX

ISOLATION Tx/Rx: 85 dB MIN
Rx/Tx: 85 dB MIN
Rx/Rx: 17 dB MIN
Tx/Tx: 17 dB MIN

AXIAL RATIO : 0.40 dB MAX

POWER HANDLING : 5 KW CW EA Tx PORT
(W/ADEQUATE HEAT DISSIPATION)
10 KW CW TOTAL

OPERATING TEMP : 115° MAX

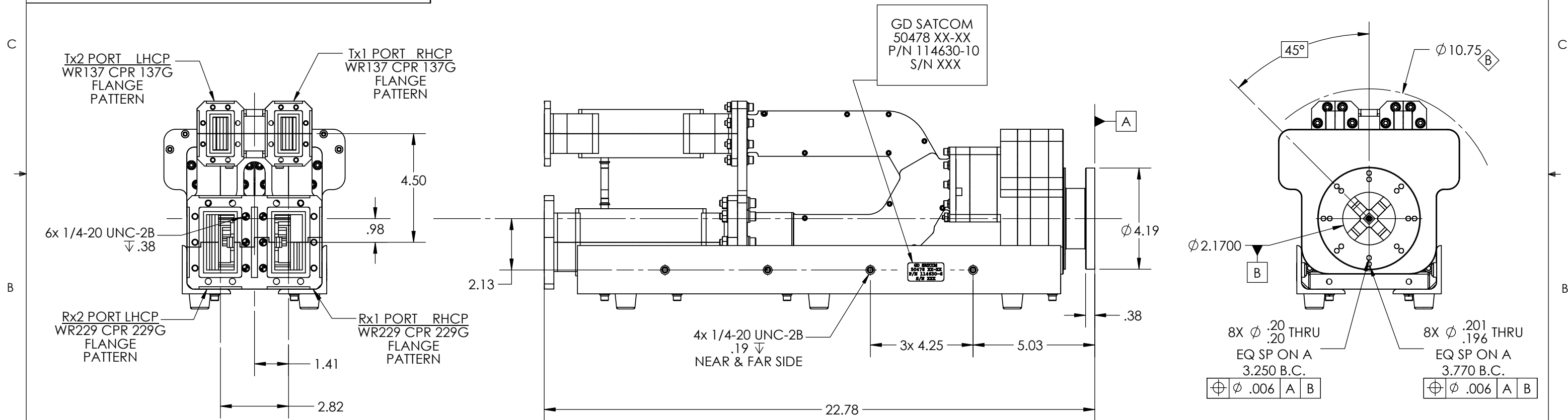
ESTIMATED MASS : 28 Lbs

PRESSURIZATION : SEALED TO 2 PSI

FINISH
FLANGE FACES: ZINC-NICKEL PER (AMS 2417, TYPE II, CLASS 2)
EXTERIOR: WHITE PAINT, COLOR No. 17875 PER FED-STD-595

REVISIONS

ZONE	REV.	DESCRIPTION	DATE	APPROVED
	A	INITIAL RELEASE	10/22/2013	
◇	B	SEE EC 12898	12/6/2013	



DO NOT SCALE DRAWINGS		APPROVALS	DATE	GENERAL DYNAMICS PROPRIETARY GENERAL DYNAMICS SATCOM Technologies 3111 Fujita Street, Torrance CA 90505, (310) 539-6704 TITLE: C-BAND 4-PORT DIPLEXER CIRCULAR POLARIZED					
UNLESS OTHERWISE SPECIFIED, INTERPRET DIMENSIONING & TOLERANCING PER ANSI/ASME Y14.5M-2009. DIMENSIONS ARE IN INCHES. DIMENSIONS SHOWN IN () ARE FOR REFERENCE ONLY. TOLERANCES: TWO PLACE DECIMAL ± .01 THREE PLACE DECIMAL ± .002 FOUR PLACE DECIMAL ± .001 ANGLES ± 0°30'		DRAWN:				SIZE	CAGE CODE	DWG No.	REV
		CHECKED:				B	50478	114630-10	B
		RF DESIGN:				SCALE:	1:4	WEIGHT: 26.28 LB	SHEET
THIRD ANGLE PROJECTION	EAR CONTROLLED	MATERIAL							
Export or re-export subject to 15 CFR 700 - 799									