



RSLNBIMKA11T10

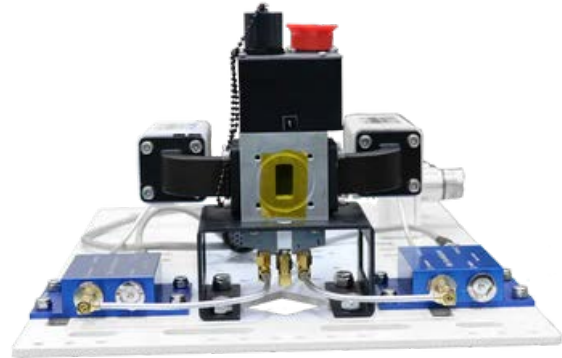
LNB Redundant Switch System Multi-Band

Redundancy: 1:1

Band: Ka-Band

Tx/Rx Config + IFL Length: Tx/Rx + 100m IFL

Norsat's Redundant LNB Switch Systems automatically detect signal faults and switch to an alternate LNB, LNA or BDC - providing maximum satellite service availability.



[Explore Video Course](#)



KEY SPECIFICATIONS

Band	Ka-Band
Redundancy	1:1
Switchover Time	120 ms max.

RF SPECIFICATIONS

Input VSWR	LNB Dependent
Insertion Loss	0.5 dB max.

ELECTRICAL SPECIFICATIONS

Power	90 - 264 VAC (47 - 63 Hz)
--------------	---------------------------

INTERFACE SPECIFICATIONS

Component	LNB, Internal Ref, Multi-Band
IFL Cable Length	100m
RF Input Connector	Ka-Band: WR-42



RF Output Connector	N-Connector
Tx Rx Configuration	Tx / Rx

ENVIRONMENTAL SPECIFICATIONS

Relative Humidity	< 100%
Temperature Operational	-40°C to +60°C

PHYSICAL SPECIFICATIONS

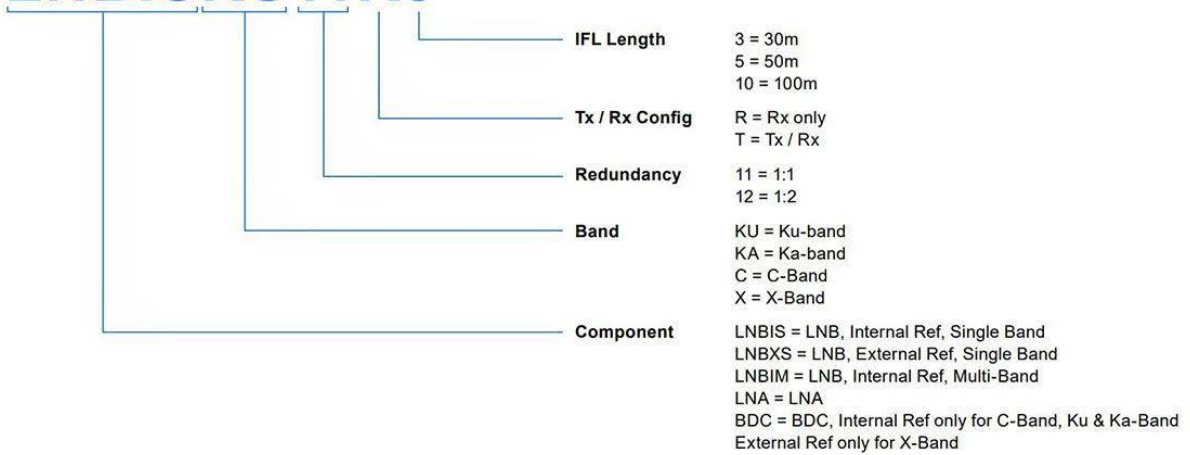
Packaging	26 x 23 x 27 in (661 x 584 x 686 mm)
Product Height	295 mm
Product Length	483 mm
Product Weight	9 kg
Product Width	159 mm

LOGISTICS SPECIFICATIONS

HS Code	Country of Origin	Ex Works	ECCN Number	Unit Package
8517690000	Made in Canada	Richmond, BC, Canada	EAR99	660 mm x 610 mm x 736 mm 54.8 kg

HOW TO ORDER

RSLNBISKU11R3

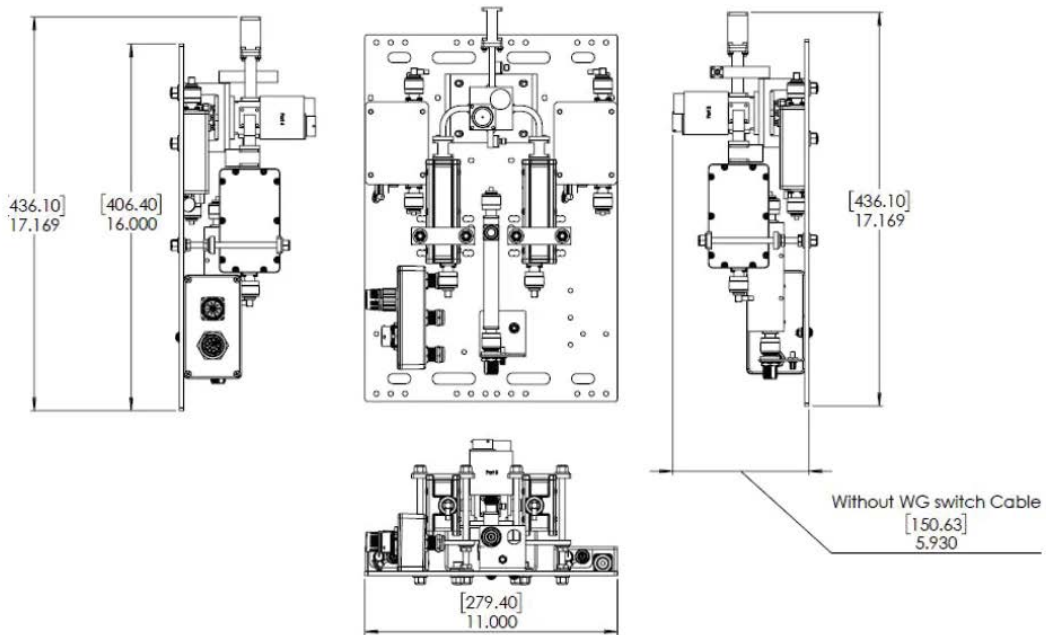


MECHANICAL DIAGRAMS



Norsat
International Inc.

Innovative Communication Solutions



Norsat
International Inc.

ESATCOM
INC

Norsat authorized distributor

Esatcom Inc.
3628 Francis Lewis Blvd.
Flushing, NY 11358
www.esatcom.com
Tel: 718.799.0084
Email: sales@esatcom.com