



RSLNBIMKU12T10

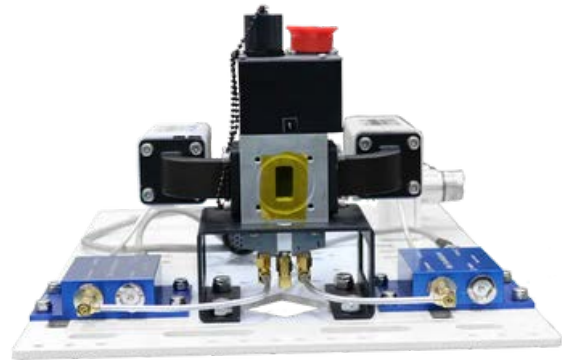
LNB Redundant Switch System Multi-Band

Redundancy: 1:2

Band: Ku-Band

Tx/Rx Config + IFL Length: Tx/Rx + 100m IFL

Norsat's Redundant LNB Switch Systems automatically detect signal faults and switch to an alternate LNB, LNA or BDC - providing maximum satellite service availability.



[Explore Video Course](#)



KEY SPECIFICATIONS

| | |
|------------------------|-------------|
| Band | Ku-Band |
| Redundancy | 1:2 |
| Switchover Time | 120 ms max. |

RF SPECIFICATIONS

| | |
|-----------------------|---------------|
| Input VSWR | LNB Dependent |
| Insertion Loss | 0.5 dB max. |

ELECTRICAL SPECIFICATIONS

| | |
|--------------|---------------------------|
| Power | 90 - 264 VAC (47 - 63 Hz) |
|--------------|---------------------------|

INTERFACE SPECIFICATIONS

| | |
|---------------------------|-------------------------------|
| Component | LNB, Internal Ref, Multi-Band |
| IFL Cable Length | 100m |
| RF Input Connector | Ku-Band: WR-75 |



| | |
|---------------------|-------------|
| RF Output Connector | N-Connector |
| Tx Rx Configuration | Tx / Rx |

ENVIRONMENTAL SPECIFICATIONS

| | |
|-------------------------|----------------|
| Relative Humidity | < 100% |
| Temperature Operational | -40°C to +60°C |

PHYSICAL SPECIFICATIONS

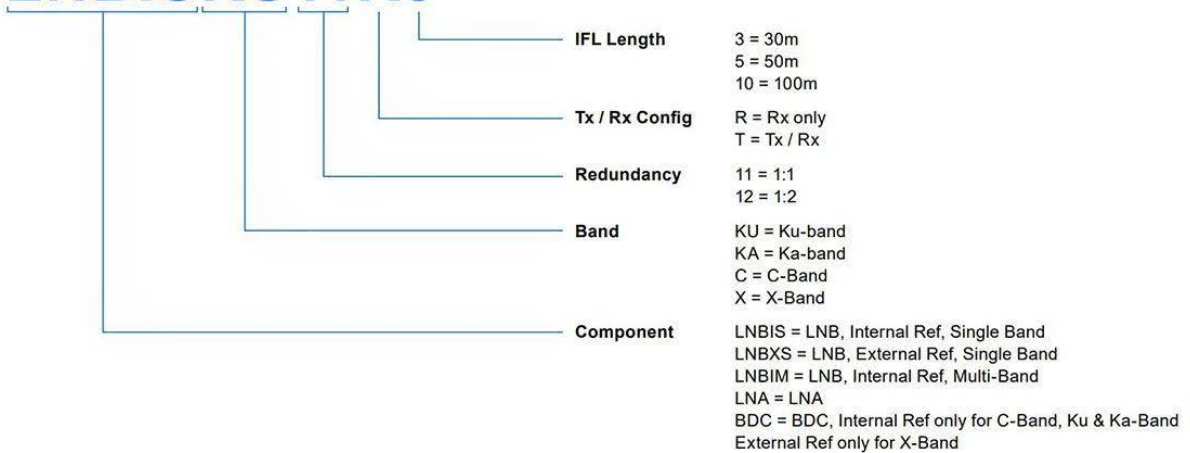
| | |
|----------------|--------------------------------------|
| Packaging | 26 x 23 x 27 in (661 x 584 x 686 mm) |
| Product Height | 295 mm |
| Product Length | 483 mm |
| Product Weight | 9 kg |
| Product Width | 159 mm |

LOGISTICS SPECIFICATIONS

| HS Code | Country of Origin | Ex Works | ECCN Number | Unit Package |
|------------|-------------------|----------------------|-------------|------------------------------------|
| 8517690000 | Made in Canada | Richmond, BC, Canada | EAR99 | 660 mm x 610 mm x 736 mm 54.8 kg |

HOW TO ORDER

RSLNBISKU11R3



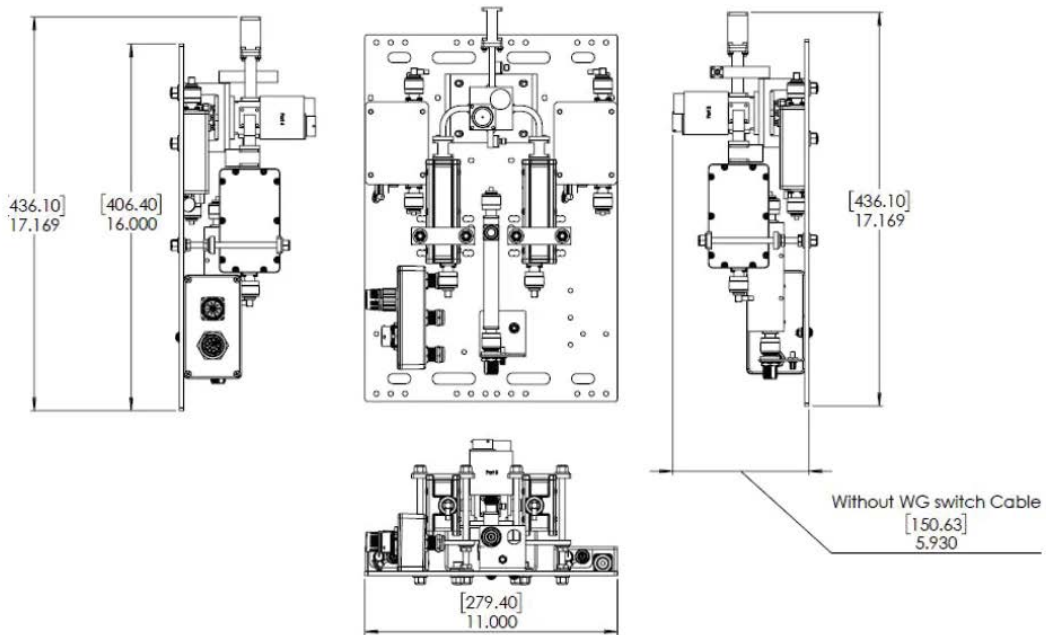
Note: LNBIM not available for C-Band, X-Band

MECHANICAL DIAGRAMS



Norsat
International Inc.

Innovative Communication Solutions



Norsat authorized distributor

Esatcom Inc.
3628 Francis Lewis Blvd.
Flushing, NY 11358
www.esatcom.com
Tel: 718.799.0084
Email: sales@esatcom.com