



# RSLNBIMKU12T5

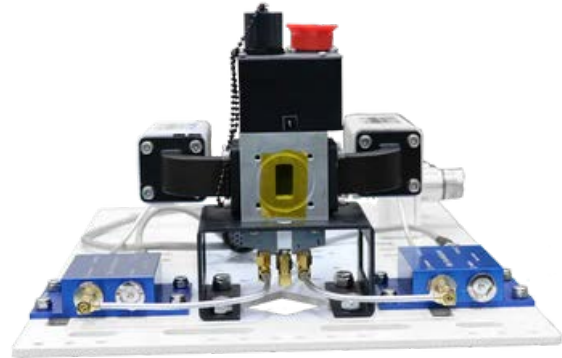
## LNB Redundant Switch System Multi-Band

**Redundancy:** 1:2

**Band:** Ku-Band

**Tx/Rx Config + IFL Length:** Tx/Rx + 50m IFL

Norsat's Redundant LNB Switch Systems automatically detect signal faults and switch to an alternate LNB, LNA or BDC - providing maximum satellite service availability.



[Explore Video Course](#)



## KEY SPECIFICATIONS

<b>Band</b>	Ku-Band
<b>Redundancy</b>	1:2
<b>Switchover Time</b>	120 ms max.

## RF SPECIFICATIONS

<b>Input VSWR</b>	LNB Dependent
<b>Insertion Loss</b>	0.5 dB max.

## ELECTRICAL SPECIFICATIONS

<b>Power</b>	90 - 264 VAC (47 - 63 Hz)
--------------	---------------------------

## INTERFACE SPECIFICATIONS

<b>Component</b>	LNB, Internal Ref, Multi-Band
<b>IFL Cable Length</b>	50m
<b>RF Input Connector</b>	Ku-Band: WR-75



RF Output Connector	N-Connector
Tx Rx Configuration	Tx / Rx

### ENVIRONMENTAL SPECIFICATIONS

Relative Humidity	< 100%
Temperature Operational	-40°C to +60°C

### PHYSICAL SPECIFICATIONS

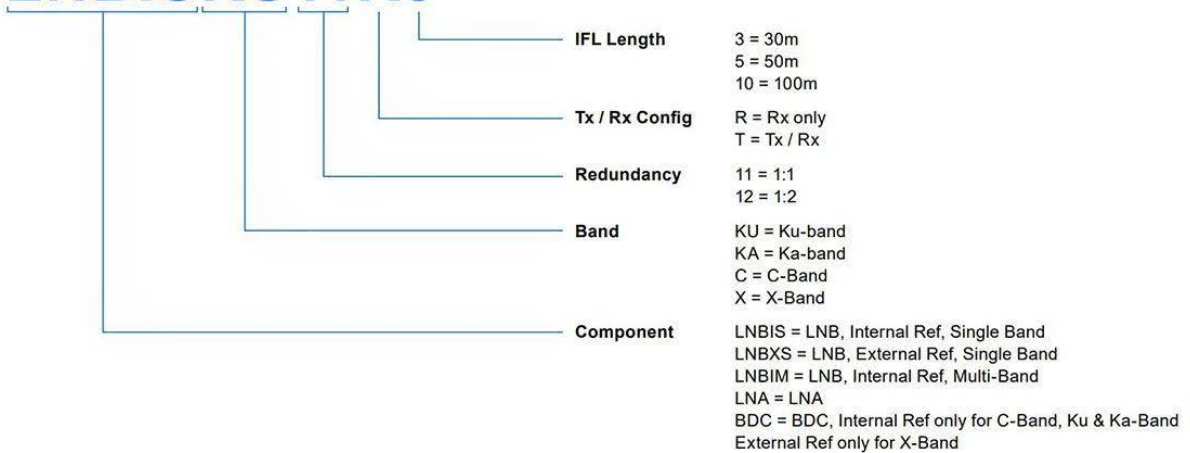
Packaging	26 x 23 x 27 in (661 x 584 x 686 mm)
Product Height	295 mm
Product Length	483 mm
Product Weight	9 kg
Product Width	159 mm

### LOGISTICS SPECIFICATIONS

HS Code	Country of Origin	Ex Works	ECCN Number	Unit Package
8517690000	Made in Canada	Richmond, BC, Canada	EAR99	660 mm x 610 mm x 736 mm   54.8 kg

### HOW TO ORDER

## RSLNBISKU11R3



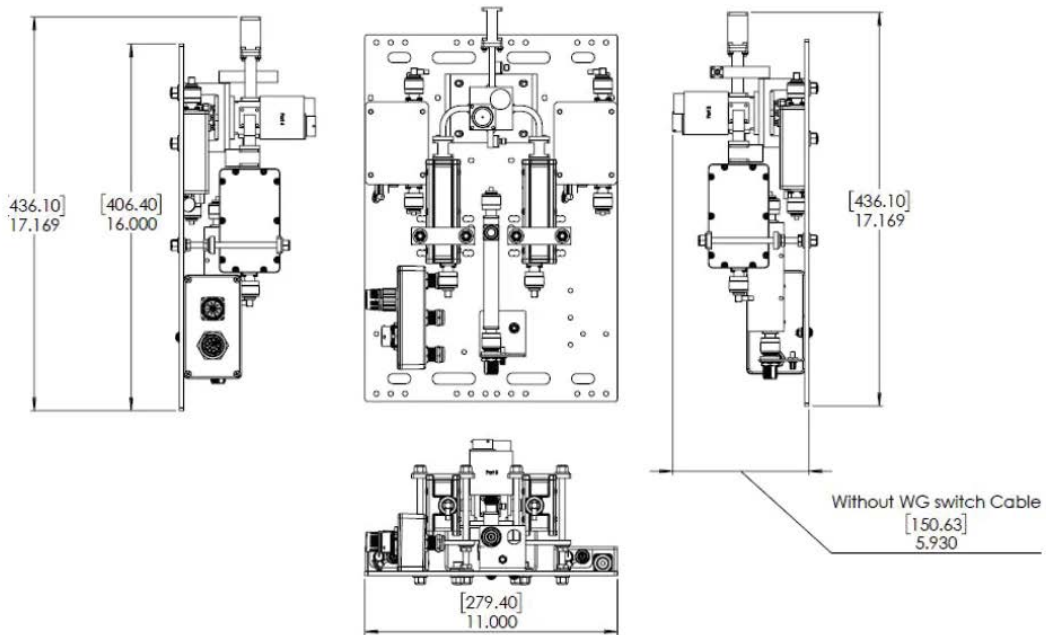
**Note:** LNBIM not available for C-Band, X-Band

### MECHANICAL DIAGRAMS



Norsat  
International Inc.

Innovative Communication Solutions



Norsat authorized distributor

**Esatcom Inc.**  
3628 Francis Lewis Blvd.  
Flushing, NY 11358  
[www.esatcom.com](http://www.esatcom.com)  
Tel: 718.799.0084  
Email: [sales@esatcom.com](mailto:sales@esatcom.com)