

SPECIFICATIONS

FREQUENCY BAND Rx: 3.390 - 4.200 GHz
Tx: 5.725 - 6.725 GHz

INSERTION LOSS Rx: 0.35 dB MAX
Tx: 0.35 dB MAX

VSWR Rx: 1:25:1 MAX
Tx: 1.25:1 MAX

ISOLATION

	CP	LP
Tx/Rx:	85 dB MIN	85 dB MIN
Rx/Tx:	85 dB MIN	85 dB MIN
Rx/Rx:	17 dB MIN	35 dB MIN
Tx/Tx:	17 dB MIN	35 dB MIN

POLARIZATION
LP(V) / LP(H): REMOTELY CONTROLLED SELECTABLE

AXIAL RATIO : 0.40 dB MAX

CROSSPOL : 35 dB MAX

PWR HANDLING : 5 KW CW EACH Tx PORT (W/ADEQUATE HEAT DISSIPATION)
10 KW CW TOTAL

OPERATING TEMP : 115°C MAX

ESTIMATED MASS : 83 Lbs

PRESSURIZATION : SEALED TO 2 PSIG

FINISH
FLANGE FACES : CHROMATE CONVERSION COATED
EXTERIOR : WHITE PAINT, COLOR N_o 17875 PER FED-STD-595

REVISIONS				
ZONE	REV.	DESCRIPTION	DATE	APPROVED
	A	INITIAL RELEASE	3/13/2014	
	B	SEE CN13212	14/10/02	N. HUFFMAN

D

C

B

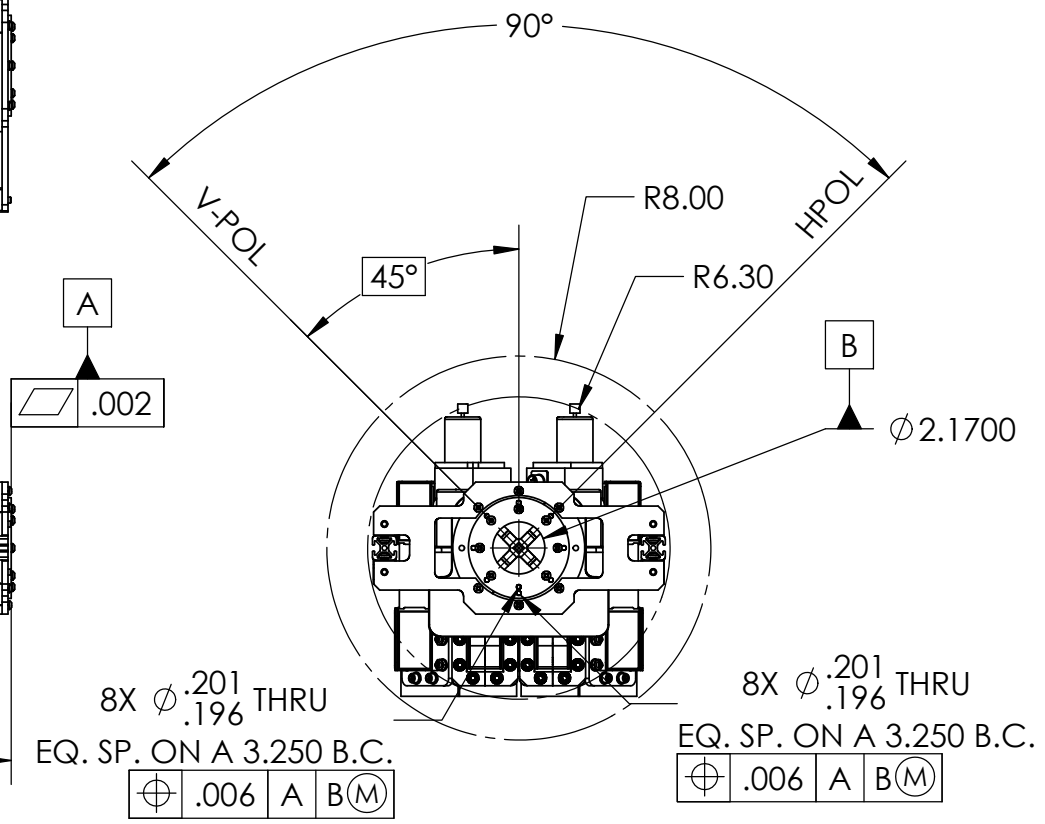
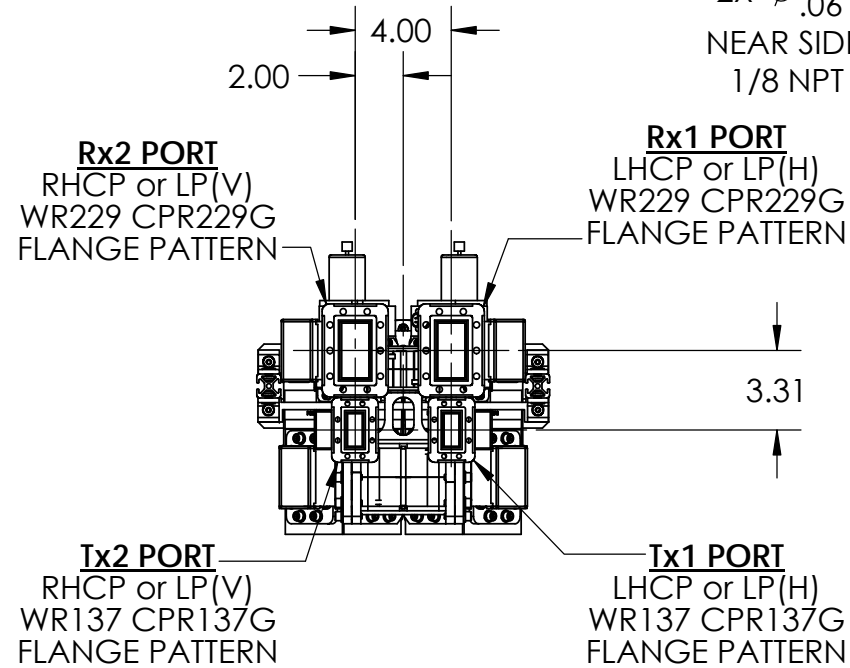
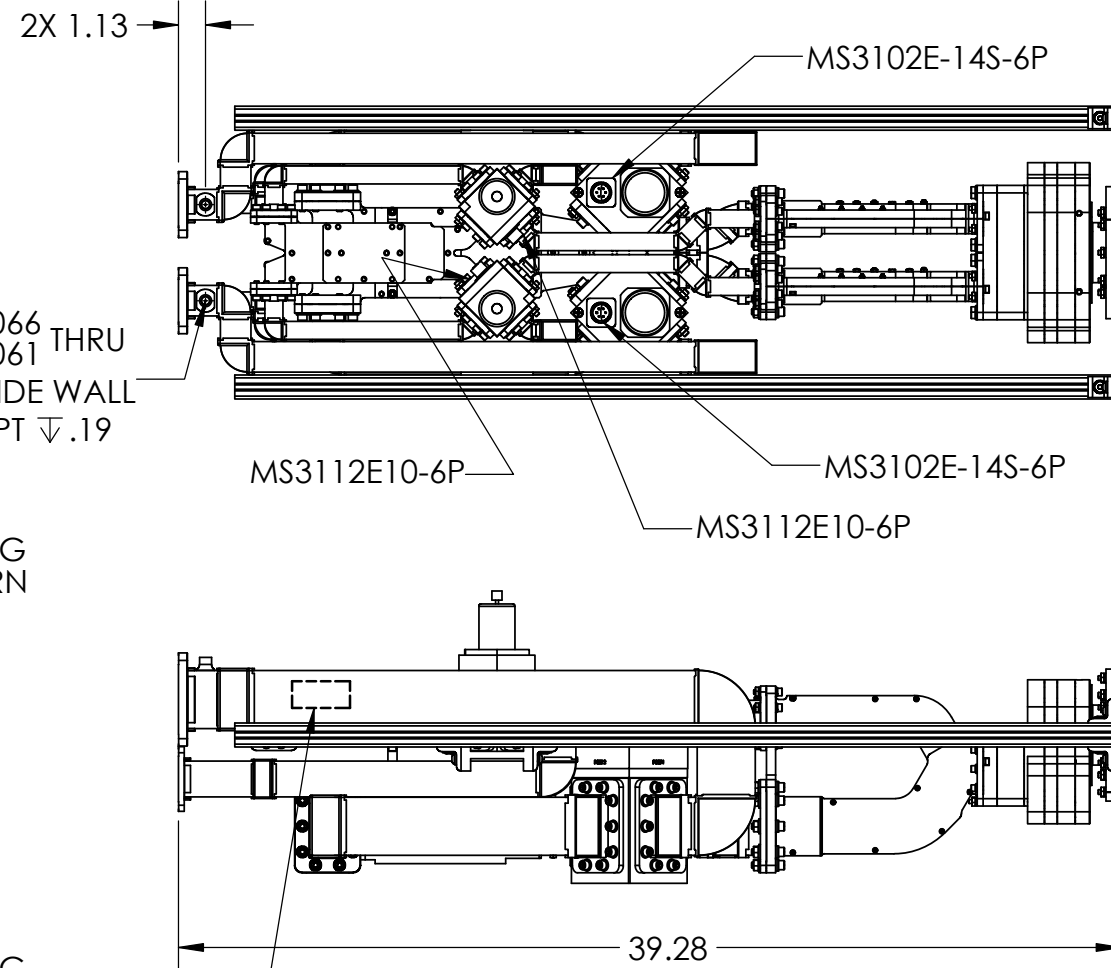
A

D

C

B

A



GD SATCOM
50478 XX-XX
P/N 114631-11
S/N XXX

DO NOT SCALE DRAWINGS		APPROVALS	DATE	GENERAL DYNAMICS PROPRIETARY	
UNLESS OTHERWISE SPECIFIED, INTERPRET DIMENSIONING & TOLERANCING PER ANSI/ASME Y14.5M-2009. DIMENSIONS ARE IN INCHES. DIMENSIONS SHOWN IN () ARE FOR REFERENCE ONLY. TOLERANCES: TWO PLACE DECIMAL \pm .01 THREE PLACE DECIMAL \pm .002 FOUR PLACE DECIMAL \pm .001 ANGLES \pm 0°30'		DRAWN:	TOVALIN	12/16/13	GENERAL DYNAMICS SATCOM Technologies 3111 Fujita Street, Torrance CA 90505, (310) 539-6704
		CHECKED:			
		RF DESIGN:			
		MFG:			
THIRD ANGLE PROJECTION	EAR CONTROLLED	MATERIAL		TITLE:	
	Export or re-export subject to 15 CFR 700 - 799			C-BAND 4-PORT DIPLEXER, CP/LP SELECTABLE	
SIZE	CAGE CODE	DWG No.	REV		
B	50478	114631-11	B		
SCALE:	1:8	WEIGHT:	-1f LB	SHEET	1 of 5

NOTE(S)
1. UNLESS OTHERWISE SPECIFIED.