

SPECIFICATIONS

REVISIONS

FREQUENCY BAND Rx: 19.70 - 21.20 GHz
Tx: 29.50 - 31.00 GHz

INSERTION LOSS Rx: 0.25 dB MAX
Tx: 0.20 dB MAX

VSWR Rx: 1.2:1
Tx: 1.2:1

REJECTION Rx/Tx: 90 dB MIN
Tx/Rx: 90 dB MIN

AXIAL RATIO : 0.75 dB MAX

POWER HANDLING : 500 WCW MIN

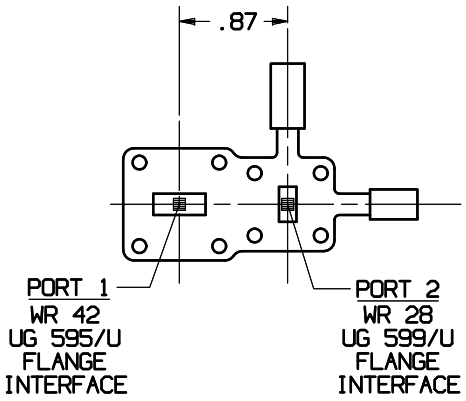
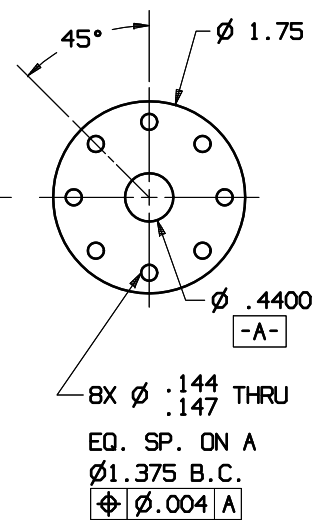
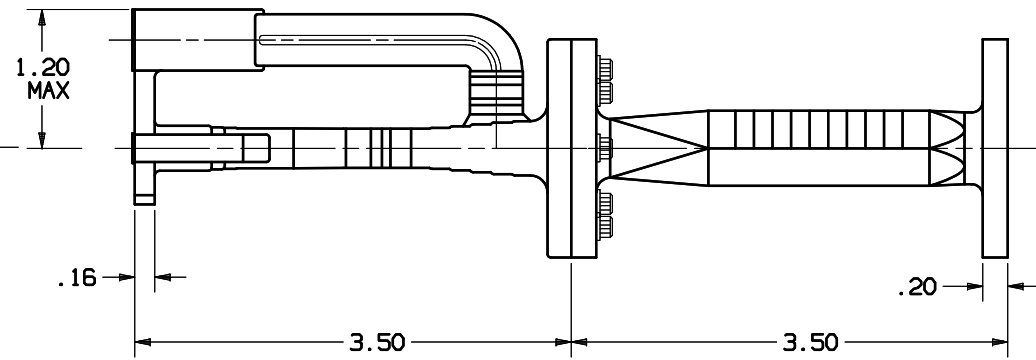
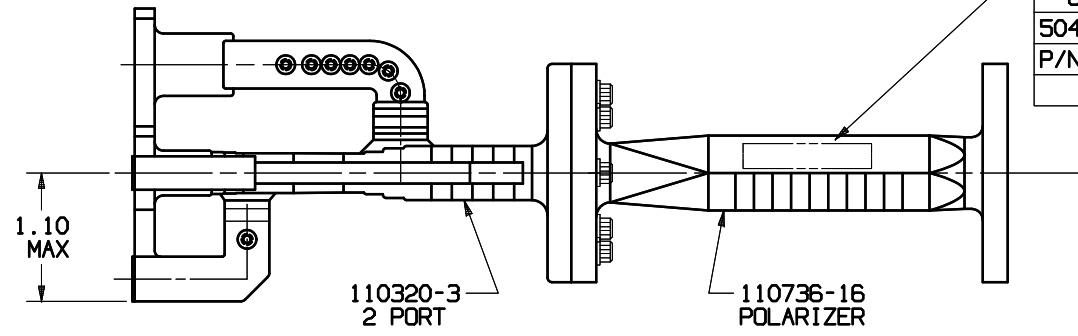
PRESSURIZATION: SEALED TO 5 PSI

FINISH

COMMON PORT: ZINC-NICKEL PLATED PER AMS-2417G
TYPE II, CLASS 2
PORTS 1 AND 2: COPPER ALLOY
EXTERIOR: WHITE PAINT, COLOR No. 17875,
PER FED-STD-595

REV	DESCRIPTION	DATE	APPROVED
D	SEE ECN 3240	12-02-10	

GD SATCOM
50478 XX-XX
P/N 112500-5
S/N XXX



UNLESS OTHERWISE SPECIFIED DIMENSIONS ARE IN INCHES TOLERANCES- SURFACE .XX ±.01 .XXX ±.002 .XXXX 32 ✓ ANGLES ±0°30'	SIGNATURES DRAWN: A. ROSS	DATE 10-20-03	GENERAL DYNAMICS PROPRIETARY GENERAL DYNAMICS SATCOM Technologies 3111 Fujita St., Torrance, CA 90505, (310) 539-6704 Ka-BAND 2-PORT DIPLEXER CIRCULAR POLARIZED
	MATERIAL	EAR CONTROLLED: Export or re-export subject to 15 CFR 700-799.	
FINISH	SCALE: 5:4		REV D SHEET 1 of 1