

# SPECIFICATIONS

**FREQUENCY BAND** Rx: 19.2 - 20.4 GHz  
Tx: 28.9 - 30.1 GHz

**INSERTION LOSS** Rx: 0.25 dB MAX  
Tx: 0.20 dB MAX

**VSWR** Rx: 1.25:1 MAX  
Tx: 1.25:1 MAX

**ISOLATION** Tx/Rx: 85 dB MIN  
Rx/Tx: 85 dB MIN  
Tx/Tx: 20 dB MIN (TERMINATED)  
Rx/Rx: 20 dB MIN (TERMINATED)

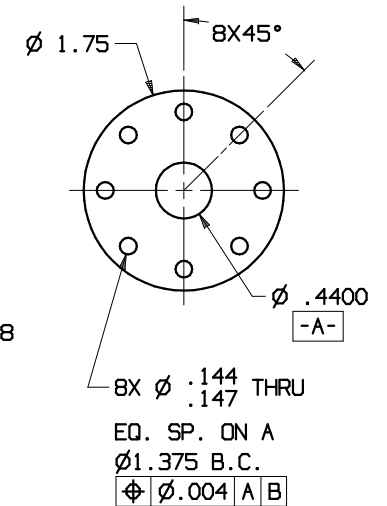
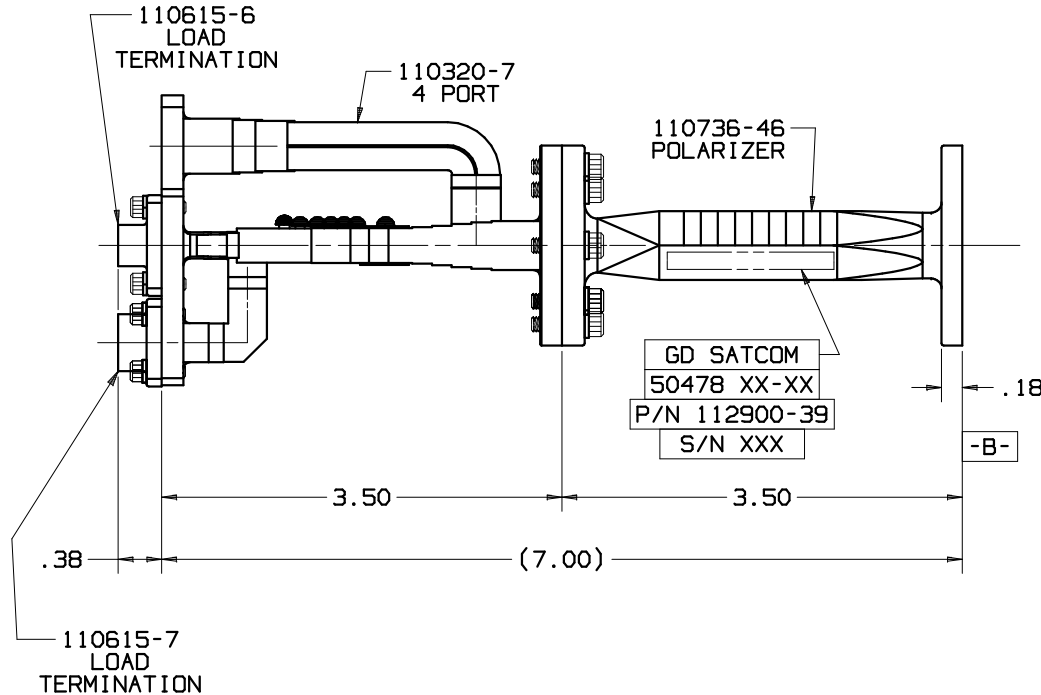
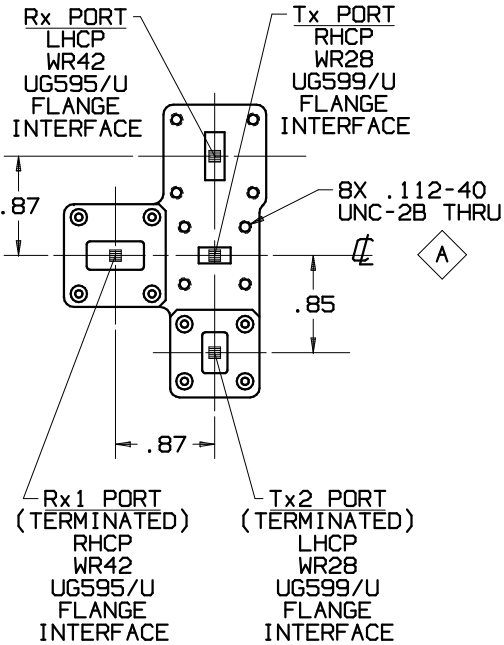
**AXIAL RATIO** Rx: 1.00 dB MAX AT 19.2 - 20.40 GHz  
Tx: 1.00 dB MAX AT 28.9 - 30.10 GHz  
: 0.39 dB MAX AT 29.3 - 29.50 GHz

**POWER HANDLING:** 500 W CW MIN

**PRESSURIZATION:** SEALED TO 5.0 PSIG

**FINISH**  
FLANGE FACES: ZINC-NICKEL PLATED PER AMS 2417G, TYPE II, CLASS 2  
EXTERIOR: WHITE PAINT, COLOR No 17875 PER FED-STD-595

REVISIONS			
REV	DESCRIPTION	DATE	APPROVED
-	INITIAL RELEASE		
A	SEE CN No 10144	2015-01-27	J.Mitchel



NOTES: UNLESS OTHERWISE SPECIFIED.

UNLESS OTHERWISE SPECIFIED INTERPRET DIMENSIONING & TOLERANCING PER ANSI Y14.5M-1982. DIMENSIONS ARE IN INCHES. DIMENSIONS SHOWN IN ( ) ARE FOR REFERENCE ONLY. TOLERANCES ARE: SURFACE- TOLERANCES- .XX ±.01 .XXX ±.002 .XXXX ± ANGLES ±0°30' 32 ✓ MATERIAL:	APPROVALS DRAWN: TOVAL IN CHECKED: H.Spieleder ENGRG: MFG: DA:	DATE 03-03-11 03-04-11	GENERAL DYNAMICS PROPRIETARY <b>GENERAL DYNAMICS</b> SATCOM Technologies 3111 Fujita St., Torrance, CA 90505, (310) 539-6704		
	EXPORT CONTROLLED: Export or re-export subject to 15 CFR 700-799.		<b>2-PORT CP, Ka-BAND DIPLEXER</b>		
	SIZE C SCALE: 5:4	FSCM No 50478 DWG No 112900-39	REV A	SHEET 1	