

# SPECIFICATIONS

<b>FREQUENCY BAND</b>	Rx: 19.7 - 21.2 GHz Tx: 29.5 - 31.0 GHz
<b>INSERTION LOSS</b>	Rx: 0.45 dB MAX Tx: 0.35 dB MAX
<b>VSWR</b>	Rx: 1.25:1 MAX Tx: 1.25:1 MAX
<b>ISOLATION</b>	Rx/Tx: 95 dB MIN Tx/Rx: 95 dB MIN
	Rx/Tx (LOADED PORT): 75 dB MIN > <span style="border: 1px solid black; padding: 2px;">D</span>
	Tx/Rx (LOADED PORT): 80 dB MIN
<b>AXIAL RATIO</b>	Rx: 1.00 dB MAX Tx: 1.00 dB MAX
<b>POWER HANDLING</b>	: 500 W CW MIN

**APPROX. WEIGHT** : 1.0 lbs D

**PRESSURIZATION** : SEALED TO 5.0 PSIG

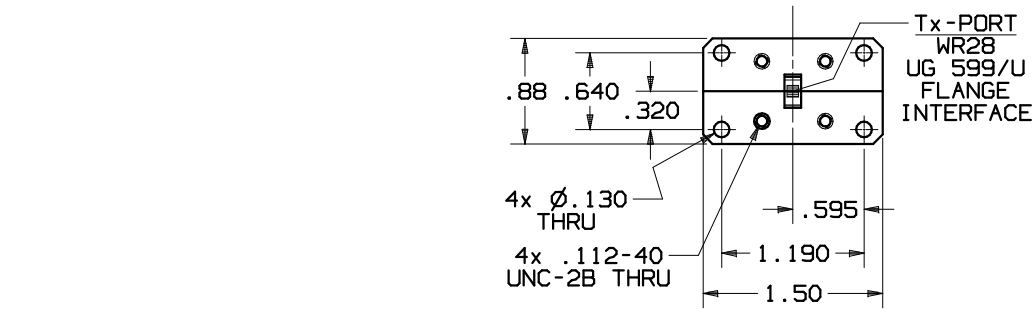
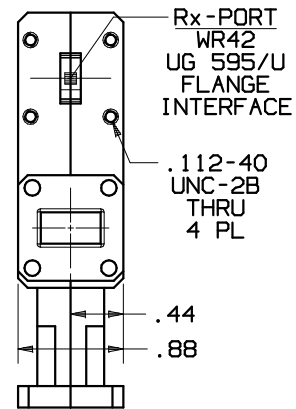
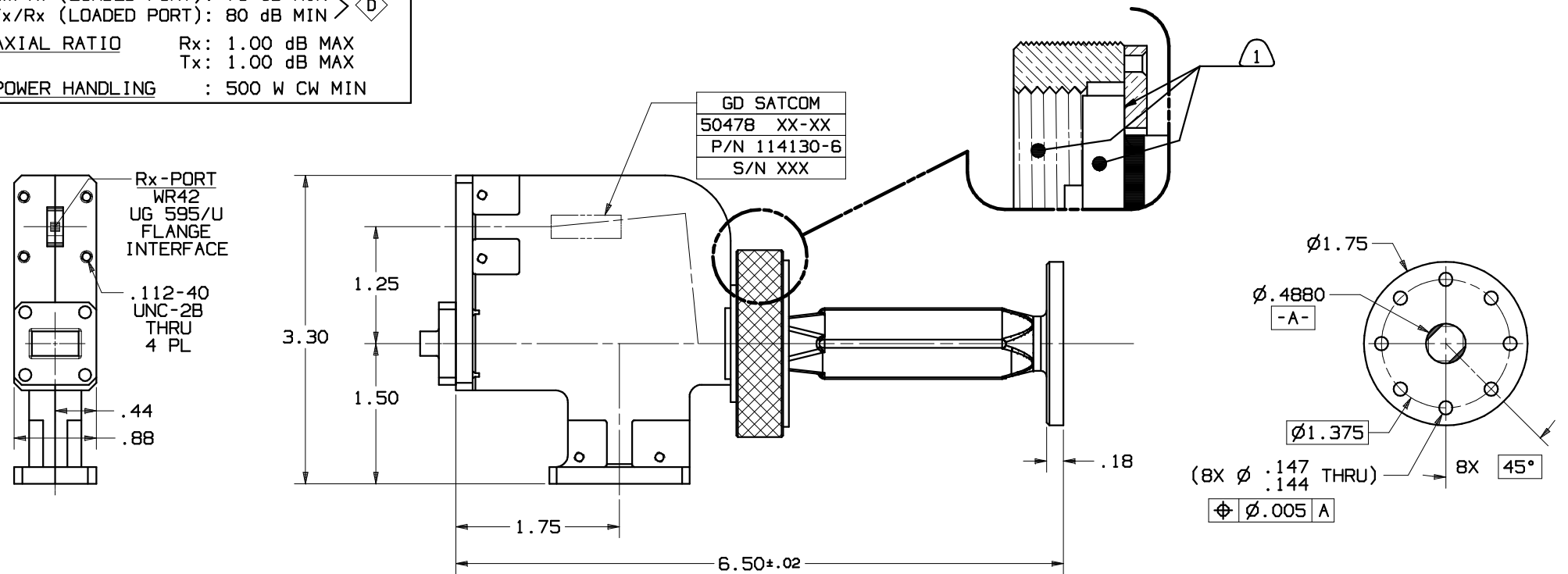
**FINISH INTERIOR AND FLANGE FACES**: CHROMATE CONVERSION COATED PER D

MIL-DTL-5541F, TYPE II, CLASS 1A

EXTERIOR: WHITE PAINT, COLOR No. 17875 PER FED-STD-595

1 SURFACES FREE OF PRIMER & PAINT

REVISIONS			
REV	DESCRIPTION	DATE	APPROVED
C	SEE CN No 13406	05-12-2015	J. Kerpan
D	SEE CN No 13423	2015-06-11	J. Kerpan



NOTES: UNLESS OTHERWISE SPECIFIED.

<b>DO NOT SCALE DRAWINGS</b>		<b>APPROVALS</b>	<b>DATE</b>	GENERAL DYNAMICS PROPRIETARY	
INTERPRET DIMENSIONING AND TOLERANCING PER ANSI Y14.5M-1982. DIMENSIONS ARE IN INCHES. DIMENSIONS SHOWN IN ( ) ARE FOR REFERENCE ONLY. TOLERANCES ARE: SURFACE- TOLERANCES- .XX ±.01 .XXX ±.002 .XXXX ±.0010 ANGLES ±0°30'		DRAWN: L. Tovalin CHECKED: J. Kerpan RF-ENG: MFG-ENG: ENG-MGR:	11-2-2011 9-12-2012	<b>GENERAL DYNAMICS</b> SATCOM Technologies 3111 Fujita St., Torrance, CA 90505, (310) 539-6704	
THIRD ANGLE PROJECTION		MATERIAL:		<b>EAR CONTROLLED:</b> Export or re-export subject to 15 CFR 700-799.	
				<b>Ka-BAND 2-PORT</b> <b>CIRCULAR POLARIZED</b> <span style="border: 1px solid black; padding: 2px;">D</span>	SIZE: FSCM No C 50478
				DWG No <b>114130-6</b>	REV D
				SCALE: 3:2	SHEET 1