



1208DHF-2

1000 Ku-Band Simultaneous Band PLL LNB

Frequency: 2: L 10.95 - 11.7 GHz | H 11.7 - 12.75 GHz

LO Stability: 2: ± 25 kHz

Output Connector: F: 75 Ohm



Norsat's Low Noise Blocks (LNBs) provide signal reception for satellite communications around the world. We offer premium performance and reliability in the smallest form factor possible. All of our standard Ku-Band LNBs are backed by a 3 year warranty and nearly forty years of experience as the industry's leading provider of high performance LNBs



KEY SPECIFICATIONS

Band	Ku-Band
Input Frequency Band 1	L:10.95 - 11.70 GHz
Input Frequency Band 2	H: 11.70 - 12.75 GHz
LO Frequency 1	L: 10.00 GHz
LO Frequency 2	H: 10.75 GHz
LO Stability	± 25 kHz
LO Type	PLL
Noise Figure Max	.85 dB
Noise Figure Typ	0.8 dB
Number Of Onboard Los	Simultaneous-Band
Output Frequency Band 1	L: 950 - 1700 MHz
Output Frequency Band 2	H: 950 - 2000 MHz

RF SPECIFICATIONS

Conversion Gain Max	62 dB
Conversion Gain Min	50 dB
Conversion Gain Typ	55 dB
Gain Flatness (over Full Band)	≤ 4 dB p-p
Input VSWR	2.2 : 1 max.
Output P1db	+ 5 dBm min.
Output VSWR	2.0 : 1 max.
Phase Noise 1khz Offset Max	-70 dBc/Hz
Phase Noise 10khz Offset Max	-80 dBc/Hz



Phase Noise 100kHz Offset Max -95 dBc/Hz

ELECTRICAL SPECIFICATIONS

Current Consumption 450 mA max. (each band)
Power Requirements +12 to +24V DC (each band)

INTERFACE SPECIFICATIONS

IF Connector F-Connector
RF Input Connector WR-75 waveguide grooved

ENVIRONMENTAL SPECIFICATIONS

IP Rating IP 67
Temperature Operational -40 to +60°C
Temperature Storage -50 to +70°C

PHYSICAL SPECIFICATIONS

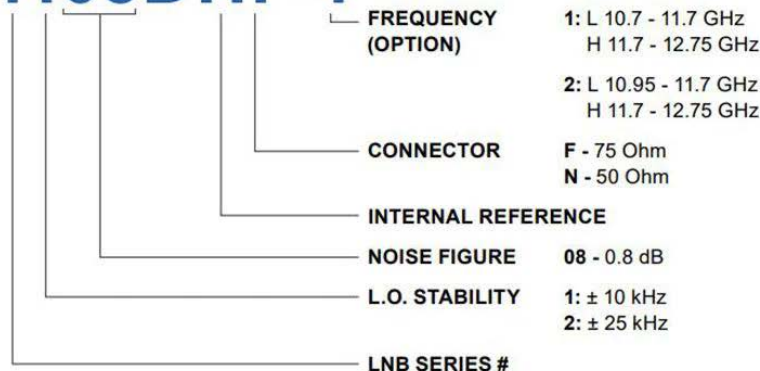
Product Height 40 mm
Product Length 155 mm
Product Weight 0.45 kg
Product Width 42 mm

LOGISTICS SPECIFICATIONS

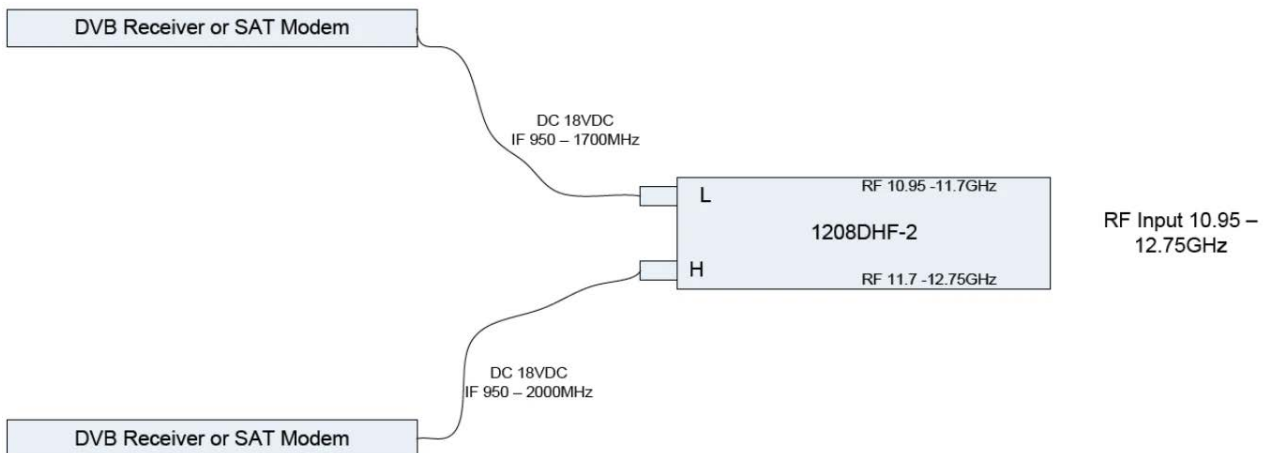
HS Code	Country of Origin	Ex Works	ECCN Number	Unit Package
8517690000	Made in the Republic of Korea	Richmond, BC, Canada	EAR99	145 x 95 x 65 mm

HOW TO ORDER

1108DHF-1



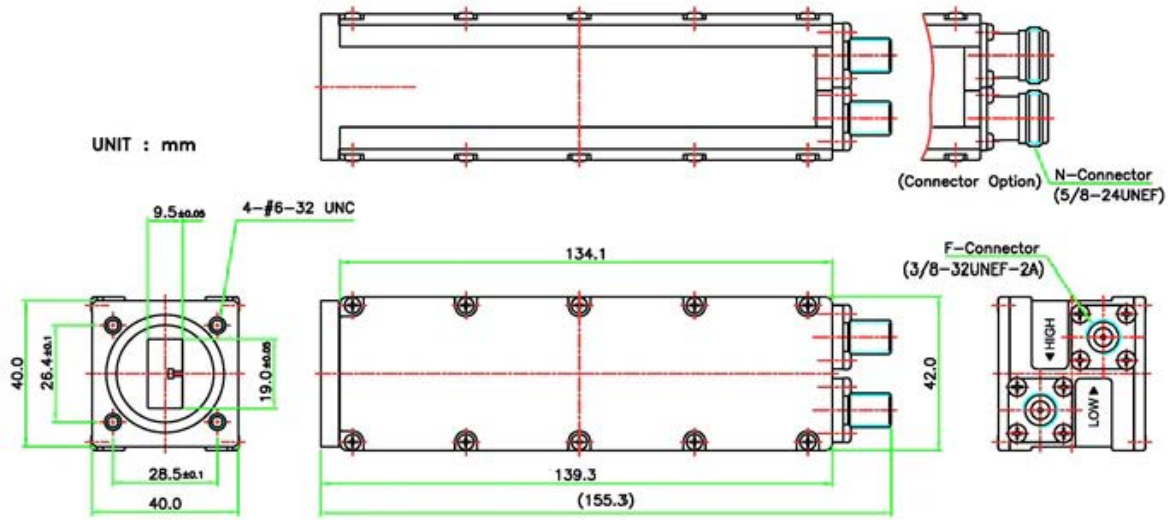
MECHANICAL DIAGRAMS





Norsat
International Inc.

Innovative Communication Solutions



Norsat
International Inc.

ESATCOM
INC

Norsat authorized distributor

Esatcom Inc.
3628 Francis Lewis Blvd.
Flushing, NY 11358
www.esatcom.com
Tel: 718.799.0084
Email: sales@esatcom.com