



3125RN

3000R C-Band Single Band PLL LNB

L.O. Stability: ± 5 kHz

Noise Temperature: 25K

Output Connector: N 50 Ohm



KEY SPECIFICATIONS

Band	C-Band
Input Frequency Band 1	3.70 - 4.20 GHz
LO Frequency 1	5.15 GHz
LO Stability	± 5 kHz
LO Type	PLL
Noise Figure Max	30K
Noise Figure Typ	25K
Number Of Onboard Los	Single-Band
Output Frequency Band 1	950 - 1450 MHz

RF SPECIFICATIONS

Conversion Gain Max	70 dB
Conversion Gain Min	55 dB
Conversion Gain Typ	60 dB
Gain Flatness (over Full Band)	≤ 4 dB p-p max.
Input VSWR	2.5 : 1 max.
Output P1db	+ 8 dBm min.
Output VSWR	2.2 : 1 max.
Phase Noise 1khz Offset Max	-73 dBc/Hz
Phase Noise 10khz Offset Max	-83 dBc/Hz
Phase Noise 100khz Offset Max	-93 dBc/Hz

ELECTRICAL SPECIFICATIONS

Power Requirements	+12 to +24V DC
--------------------	----------------

INTERFACE SPECIFICATIONS

IF Connector	N-Connector
RF Input Connector	CPR 229G waveguide grooved



M and C SPECIFICATIONS

Led Indicators None

ENVIRONMENTAL SPECIFICATIONS

IP Rating IP 67
 Temperature Operational -40°C to +60°C
 Temperature Storage -40 to +80°C

PHYSICAL SPECIFICATIONS

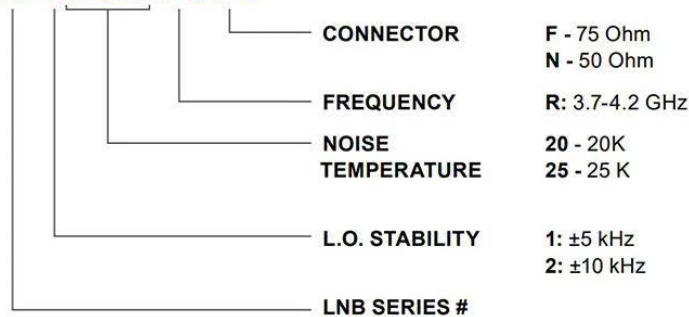
Product Height 70 mm
 Product Length 180 mm
 Product Weight 0.575 kg
 Product Width 100 mm

LOGISTICS SPECIFICATIONS

HS Code	Country of Origin	Ex Works	ECCN Number	Unit Package
8517690000	Made in the Republic of Korea	Richmond, BC, Canada	EAR99	190 x 115 x 80 mm 0.68 kg

HOW TO ORDER

3125RN

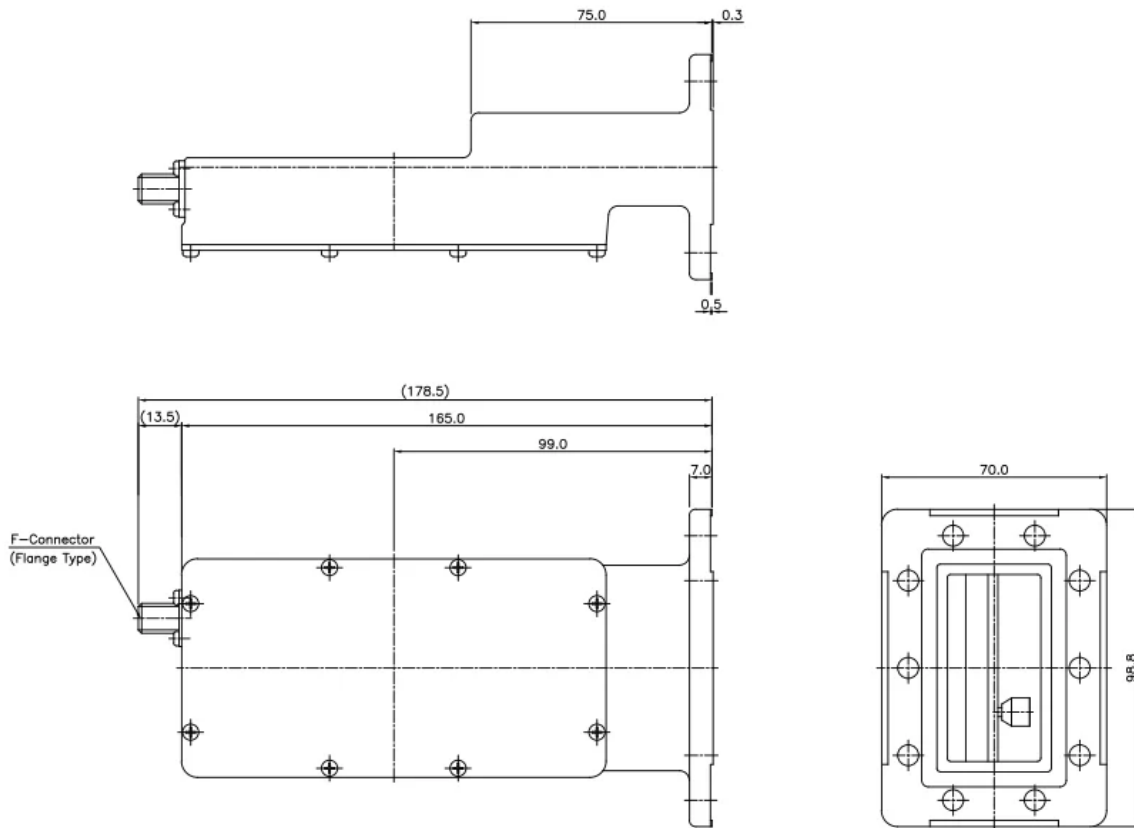


MECHANICAL DIAGRAMS



Norsat
International Inc.

Innovative Communication Solutions



Norsat
International Inc.

ESATCOM
INC

Norsat authorized distributor

Esatcom Inc.
3628 Francis Lewis Blvd.
Flushing, NY 11358
www.esatcom.com
Tel: 718.799.0084
Email: sales@esatcom.com