

SPECIFICATIONS

FREQUENCY BAND Rx: 19.7 - 21.2 GHz
Tx: 29.5 - 31.0 GHz

INSERTION LOSS Rx: 0.45 dB MAX
Tx: 0.35 dB MAX

VSWR Rx: 1.25:1 MAX
Tx: 1.25:1 MAX

ISOLATION Rx/Tx: 60 dB MIN
Tx/Rx: 85 dB MIN

AXIAL RATIO Rx: 1.00 dB MAX
Tx: 1.00 dB MAX

POWER HANDLING : 500 W CW MIN

APPROX. WEIGHT : 1.0 lbs

PRESSURIZATION : SEALED TO 5.0 PSIG

FINISH INTERIOR & FLANGE FACES: CHEMFILED PER MIL-C-5541 C, CLASS 1A

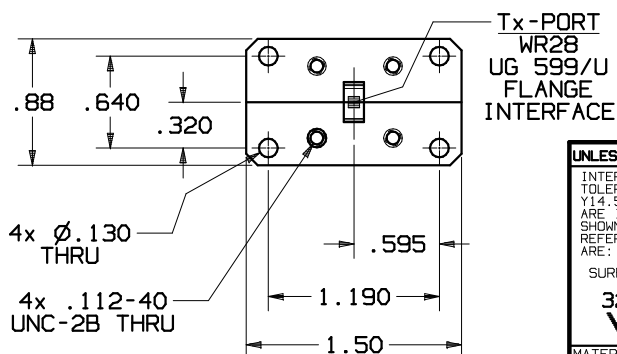
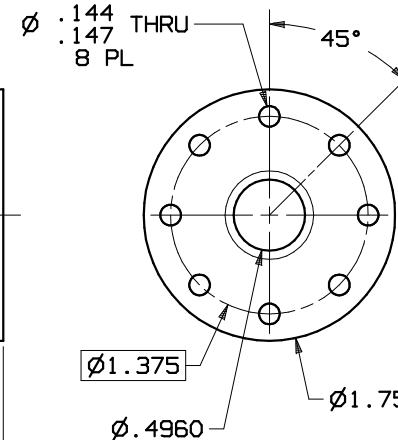
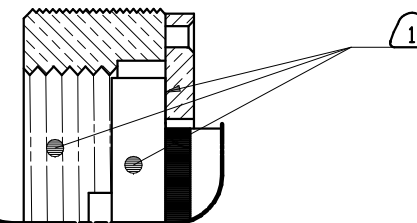
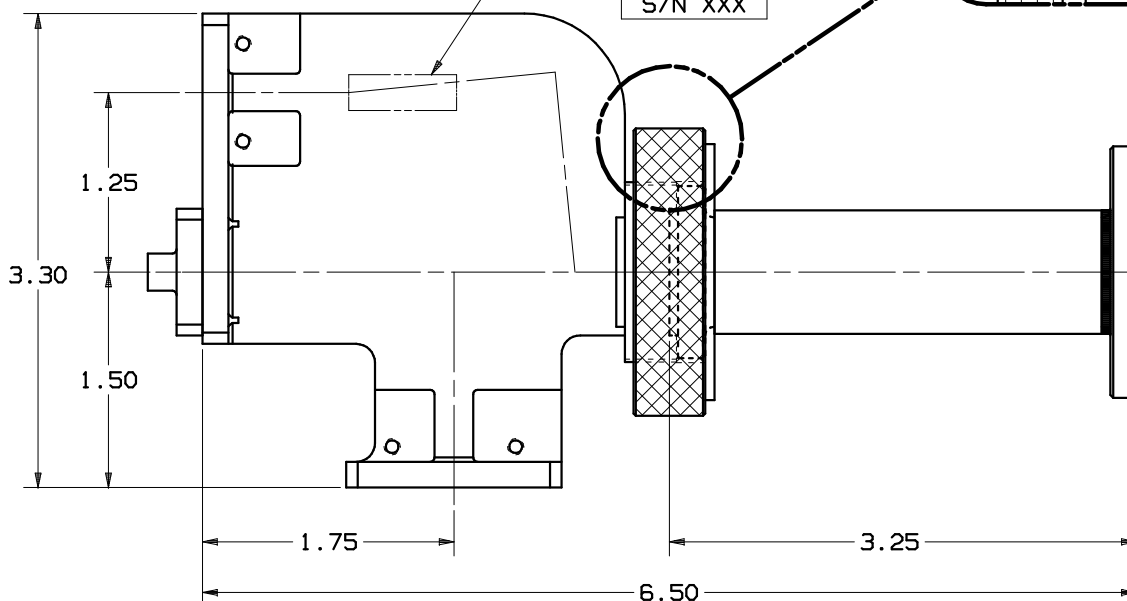
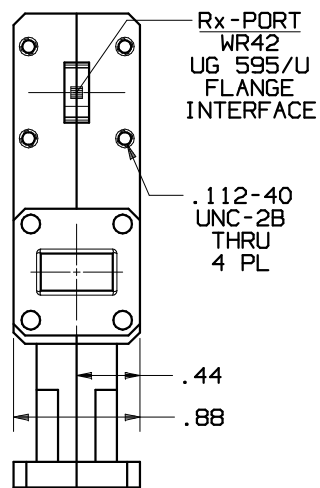
EXTERIOR: WHITE PAINT, COLOR No 17875 PER FED-STD-595

① SURFACES FREE OF PRIMER & PAINT

REVISIONS

REV	DESCRIPTION	EFFECTIVE DATE	APPROVED
A	SEE CN 13349	04-02-15	J. KERPAN

GD SATCOM
50478 XX-XX
P/N 114130-8
S/N XXX



UNLESS OTHERWISE SPECIFIED		APPROVALS	DATE	GENERAL DYNAMICS PROPRIETARY	
INTERPRET DIMENSIONING & TOLERANCING PER ANSI Y14.5M-1982. DIMENSIONS ARE IN INCHES. DIMENSIONS SHOWN IN () ARE FOR REFERENCE ONLY. TOLERANCES ARE: SURFACE - TOLERANCES - 32 ✓ .XX ±.01 .XXX ±.002 .XXXX ±.0010 ANGLES ±0°30'		DRAWN: H. Lim	10-24-12	GENERAL DYNAMICS SATCOM Technologies 3111 Fujita St., Torrance, CA 90505, (310) 539-6704 Ka-BAND 2-PORT DIPLEXER CIRCULAR POLARIZED	
		CHECKED:			
		RF-ENG:			
		HF-ENG:			
		ENG-MGR: EAR CONTROLLED: Export or re-export subject to 15 CFR 700-799.		SIZE: FSCM No	DWG No
MATERIAL:				C 50478	114130-8
				SCALE: 3:2	SHEET 1

NOTES: UNLESS OTHERWISE SPECIFIED.