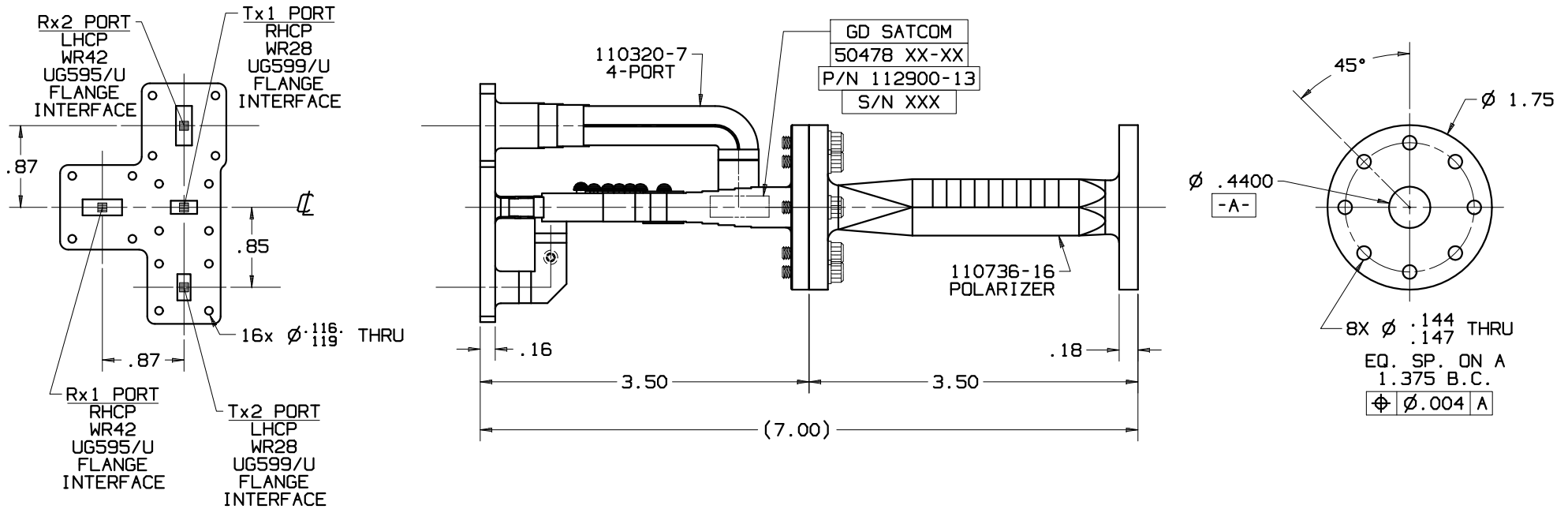


# SPECIFICATIONS

# REVISIONS

<b>FREQUENCY BAND</b>	Rx: 19.7 - 21.2 GHz Tx: 29.5 - 31.0 GHz	<b>ISOLATION</b>	Tx/Rx: 90 dB MIN Rx/Tx: 90 dB MIN Tx/Tx: 20 dB MIN Rx/Rx: 20 dB MIN	<b>PRESSURIZATION</b> : TESTED TO 5.0 PSIG
<b>INSERTION LOSS</b>	Rx: 0.25 dB MAX Tx: 0.20 dB MAX	<b>AXIAL RATIO</b>	SEE TABLE BELOW	<b>FINISH</b>
<b>VSWR</b>	Rx: 1.2:1 MAX Tx: 1.2:1 MAX	<b>POWER HANDLING</b>	500 W PER Tx PORT	TX AND RX PORTS: CHROMATE CONVERSION COATED COMMON PORT: ZINC-NICKEL PLATED PER AMS-2417G TYPE 2, CLASS 2 EXTERIOR: WHITE PAINT, COLOR NO 17875 PER FED-STD-595

REV	DESCRIPTION	DATE	APPROVED
B	SEE ECN #2147	02-25-09	J.K.



Tx	Rx	AXIAL RATIO
30.0 - 31.0 GHz	-----	0.50 dB MAX
-----	20.2 - 21.2 GHz	0.75 dB MAX
29.5 - 31.0 GHz	19.7 - 21.2 GHz	1.00 dB MAX

UNLESS OTHERWISE SPECIFIED INTERPRET DIMENSIONING & TOLERANCING PER ANSI Y14.5M-1982. DIMENSIONS ARE IN INCHES. DIMENSIONS SHOWN IN ( ) ARE FOR REFERENCE ONLY. TOLERANCES ARE:  SURFACE- TOLERANCES- 32 ✓ .XX ±.01 .XXX ±.002 .XXXX ±.0010 ANGLES ±0°30'  MATERIAL: COPPER ALLOY	APPROVALS	DATE	GENERAL DYNAMICS PROPRIETARY	
	DRAWN: C.G. ORTEGA	04-02-07	<b>GENERAL DYNAMICS</b> SATCOM Technologies 3111 Fujita St., Torrance, CA 90505, (310) 539-6704	
	CHECKED: H. Spieleder	01-28-09		
	EAR CONTROLLED: Export or re-export subject to 15 CFR 700-799.			<b>Ka-BAND 4-PORT DIPLEXER</b> <b>CIRCULAR POLARIZED</b>
SIZE C 50478		FSCM No. DWG No.	<b>112900-13</b>	
SCALE: 3:2		SHEET 1		REV B