

SPECIFICATIONS

REVISIONS

FREQUENCY RANGE

Rx: 19.7 - 21.2 GHz  
Tx: 29.5 - 31.0 GHz

INSERTION LOSS

Rx: 0.25 dB MAX  
Tx: 0.20 dB MAX

VSWR

Rx: 1.2:1 MAX  
Tx: 1.2:1 MAX

ISOLATION:

Tx/Rx: 90 dB MIN  
Rx/Tx: 90 dB MIN  
Tx/Tx: 20 dB MIN  
Rx/Rx: 20 dB MIN

AXIAL RATIO : SEE TABLE BELOW

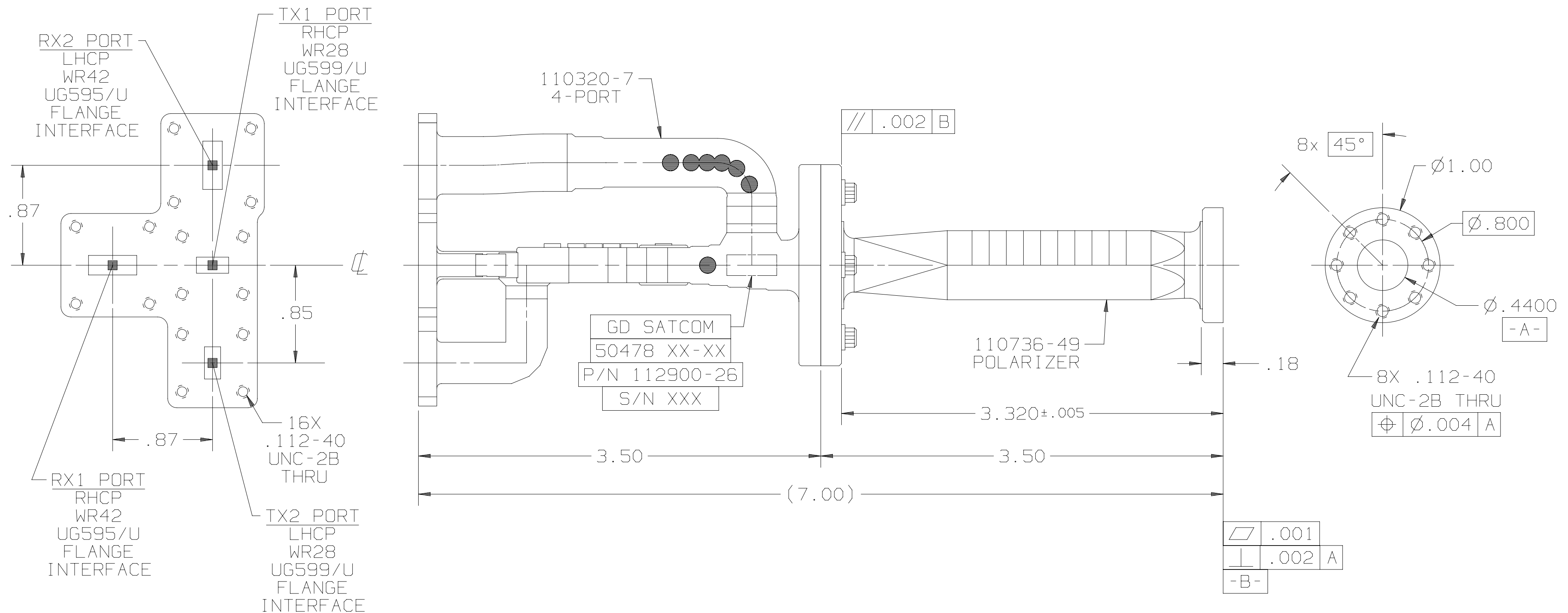
POWER HANDLING: 1.0 KW CW  
PER Tx-PORT

PRESSURIZATION : SEALED TO 5.0 PSIG

FINISH

FLANGE FACES: BRASS  
EXTERIOR: BLACK PAINT, COLOR NO 37038  
PER FED-STD-595.

REV	DESCRIPTION	DATE	APPROVED
A	SEE ECN #2642	02-11-10	H.S.



UNLESS OTHERWISE SPECIFIED		APPROVALS	DATE	GENERAL DYNAMICS PROPRIETARY	
INTERPRET DIMENSIONING & TOLERANCING PER ANSI Y14.5M-1982. DIMENSIONS ARE IN INCHES. DIMENSIONS SHOWN IN ( ) ARE FOR REFERENCE ONLY. TOLERANCES ARE:		DRAWN: TOVALIN, L	07-14-09	GENERAL DYNAMICS SATCOM Technologies 3111 Fujita St., Torrance, CA 90505, (310) 539-6704	
SURFACE - TOLERANCES - 32 ✓ .XX ±.01 .XXX ±.002 .XXXX ± ANGLES ±0°30'		CHECKED: H.Spieleeder	07-14-09		
MATERIAL:		ENGRG:		Ka-BAND 4-PORT DIPLEXER CIRCULAR POLARIZED	
		MFG:			
		DA:		SIZE FSCM No. DWG No. REV C 50478 112900-26 A	
		EAR CONTROLLED: Export or re-export subject to 15 CFR 700-799.			
		SCALE: 3:2		SHEET 1	

Rx	Tx	AXIAL RATIO
-----	30.0 - 31.0 GHz	0.50 dB MAX
20.2 - 21.2 GHz	-----	0.75 dB MAX
19.7 - 20.2 GHz	29.5 - 31.0 GHz	1.00 dB MAX