

SPECIFICATIONS 1

FREQUENCY BAND	Rx: 17.8 - 19.3 GHz Tx: 27.6 - 29.1 GHz	ISOLATION	Tx/Rx: 85 dB MIN Rx/Tx: 85 dB MIN Tx/Tx: 20 dB MIN Rx/Rx: 20 dB MIN
INSERTION LOSS	Rx: 0.25 dB MAX Tx: 0.20 dB MAX	AXIAL RATIO	Rx: 0.50 dB MAX Tx: 0.50 dB MAX
VSWR	Rx: 1.2:1 MAX Tx: 1.2:1 MAX	POWER HANDLING	: 800 W CW TOTAL MIN (400 W PER Tx PORT)
		APPROX HEAT DISSIPATION:	35 Watts AT 800 W
		TOTAL HEAT DISSIPATION AREA:	33.4 IN ²
		MAX OPERATING TEMP:	115°C

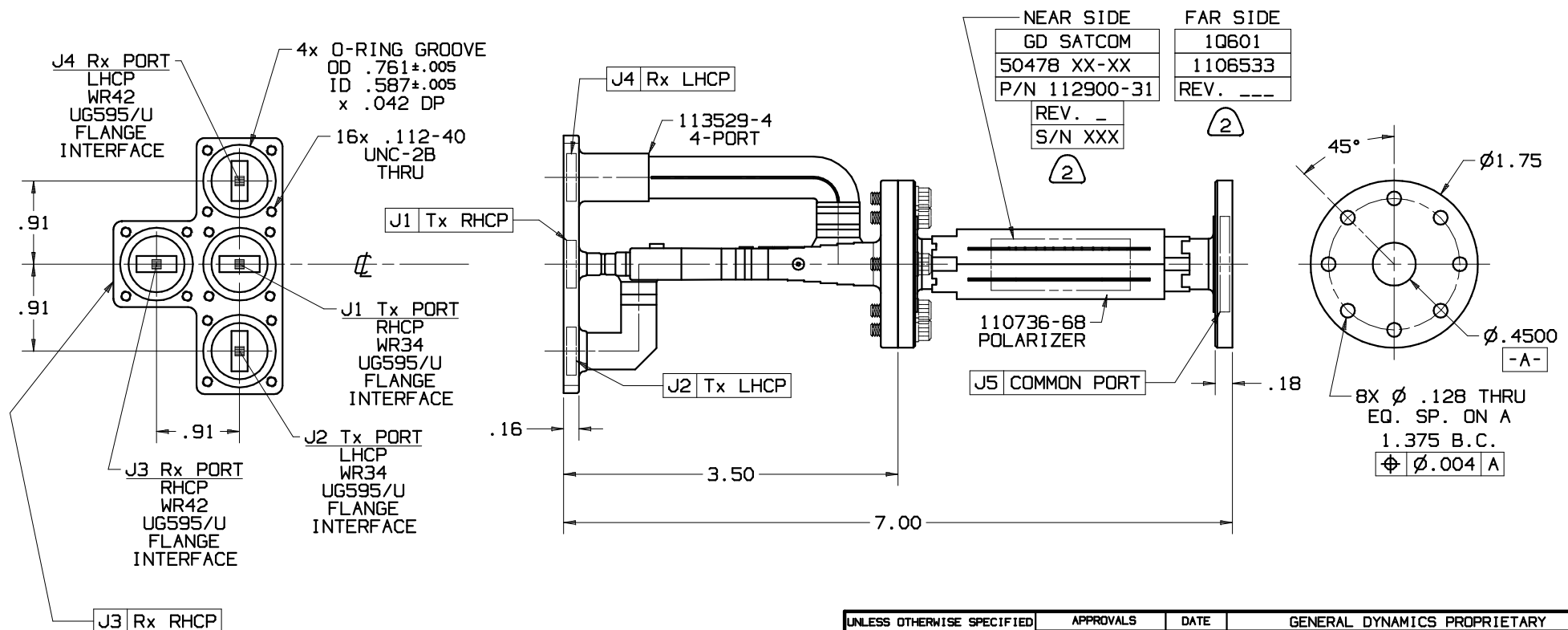
APPROX WEIGHT : 0.8 Lbs

PRESSURIZATION : SEALED TO 5.0 PSIG

FINISH
Tx AND Rx PORTS
& COMMON PORT: ZINC-NICKEL PLATED PER AMS-2417G TYPE 2, CLASS 2
EXTERIOR: BLACK PAINT, COLOR NO 37038 PER FED-STD-595

REVISIONS

REV	DESCRIPTION	DATE	APPROVED
-	INITIAL RELEASE	12-22-10	R.T.



NEAR SIDE	FAR SIDE
GD SATCOM	1Q601
50478 XX-XX	1106533
P/N 112900-31	REV. ---
REV. -	2
S/N XXX	

2 CURRENT REVISION LEVEL

1 TESTED INTO A MACHED LOAD

NOTES: UNLESS OTHERWISE SPECIFIED

UNLESS OTHERWISE SPECIFIED DIMENSIONS ARE IN INCHES. TOLERANCES ARE: SURFACE- .XX ±.01 .XXX ±.002 .XXXX ±.0010 ANGLES ±0°30'	APPROVALS DRAWN: TOVAL IN CHECKED: H. Spieleder ENGRG: R.E. Terry	DATE 03-29-10 03-29-10 12-22-10	GENERAL DYNAMICS PROPRIETARY GENERAL DYNAMICS SATCOM Technologies 3111 Fujita St., Torrance, CA 90505, (310) 539-6704	
	RoHS IN COMPLIANCE WITH EU DIRECTIVE 2002/95/EC NO Pb,Cd,Hg,Cr+6,PBB, OR PBDE INTENTIONALLY ADDED TO THIS PART.		EAR CONTROLLED: Export or re-export subject to 15 CFR 700-799.	
			SIZE FSCM No. DWG No. C 50478 112900-31	REV - SCALE: 5:4 SHEET 1