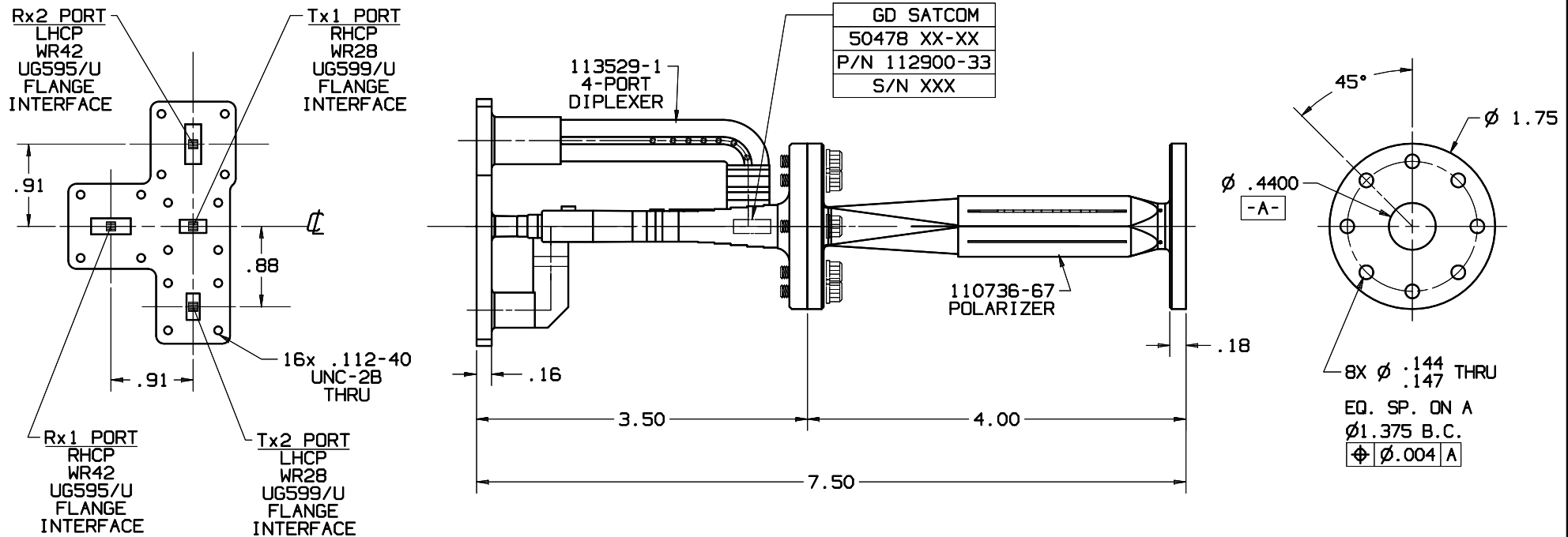


SPECIFICATIONS

REVISIONS

FREQUENCY BAND	Tx/Rx: 85 dB MIN Rx/Tx: 85 dB MIN Tx/Tx: 20 dB MIN Rx/Rx: 20 dB MIN	APPROX WEIGHT : 0.8 Lbs
	Rx: 17.70 - 20.20 GHz Tx: 27.50 - 31.00 GHz	PRESSURIZATION : SEALED TO 5.0 PSIG
INSERTION LOSS	AXIAL RATIO Rx: 1.25 dB MAX Tx: 1.25 dB MAX	FINISH Tx AND Rx PORTS: COPPER ALLOY COMMON PORT: ZINC-NICKEL PLATED PER AMS-2417G TYPE 2, CLASS 2
	Rx: 0.25 dB MAX Tx: 0.20 dB MAX	EXTERIOR : WHITE PAINT, COLOR NO 17875 PER FED-STD-595
VSWR	POWER HANDLING : 1.0 KW (500 W PER Tx PORT)	
	Rx: 1.2:1 MAX Tx: 1.2:1 MAX	

REV	DESCRIPTION	DATE	APPROVED
-	INITIAL RELEASE		



NOTES: UNLESS OTHERWISE SPECIFIED

<p>UNLESS OTHERWISE SPECIFIED</p> <p>DIMENSIONS ARE IN INCHES. TOLERANCES ARE: SURFACE- TOLERANCES- ENGRG: .XX ± .01 .XXX ± .002 .XXXX ± .0010 ANGLES ± 0° 30'</p> <p style="text-align: center;">32 ✓</p> <p style="text-align: center;">RoHS</p> <p>IN COMPLIANCE WITH EU DIRECTIVE 2002/95/EC NO Pb,Cd,Hg,Cr+6,PBB, OR PBDE INTENTIONALLY ADDED TO THIS PART.</p>	<p>APPROVALS</p> <p>DRAWN: A. MORAN</p> <p>CHECKED:</p> <p>ENGRG:</p> <p>HFG:</p> <p>QA:</p>	<p>DATE</p> <p>07-22-10</p>	<p style="text-align: center;">GENERAL DYNAMICS PROPRIETARY</p> <p style="text-align: center;">GENERAL DYNAMICS SATCOM Technologies 3111 Fujita St., Torrance, CA 90505, (310) 539-6704</p> <p style="text-align: center;">Ka-BAND 4-PORT DIPLEXER CIRCULAR POLARIZED</p> <table border="1" style="width: 100%; border-collapse: collapse;"> <tr> <td style="width: 20%;">SIZE</td> <td style="width: 20%;">FSCM No.</td> <td style="width: 20%;">DWG No.</td> <td style="width: 40%;"></td> </tr> <tr> <td>C</td> <td>50478</td> <td>112900-33</td> <td>REV -</td> </tr> <tr> <td colspan="3">SCALE: 5:4</td> <td>SHEET 1</td> </tr> </table>	SIZE	FSCM No.	DWG No.		C	50478	112900-33	REV -	SCALE: 5:4			SHEET 1
SIZE	FSCM No.	DWG No.													
C	50478	112900-33	REV -												
SCALE: 5:4			SHEET 1												