

# SPECIFICATIONS

**FREQUENCY BAND** Rx: 17.70 - 22.00 GHz  
Tx: 27.00 - 31.00 GHz

**INSERTION LOSS** Rx: 0.70 dB MAX  
Tx: 0.70 dB MAX (A)

**VSWR** Rx: 1.25:1 MAX  
Tx: 1.25:1 MAX

**ISOLATION** Tx/Rx: 85 dB MIN  
Rx/Tx: 85 dB MIN  
Rx/Rx: 18 dB MIN (B)  
Tx/Tx: 18 dB MIN

**AXIAL RATIO** : 0.40 dB MAX (A)

**POWER HANDLING** : 500 W MIN PER Tx PORT  
(1 kW TOTAL)

**PRESSURIZATION** : SEALED TO 5.0 PSIG

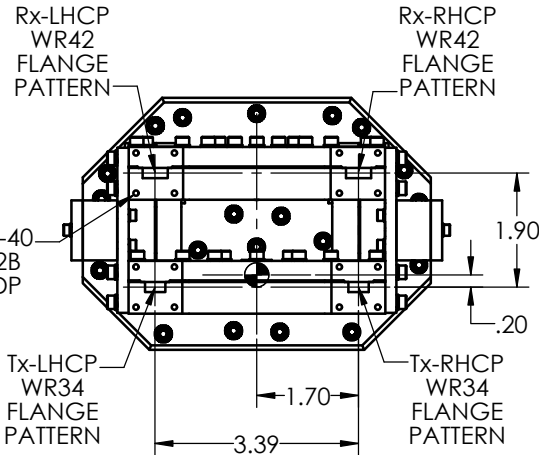
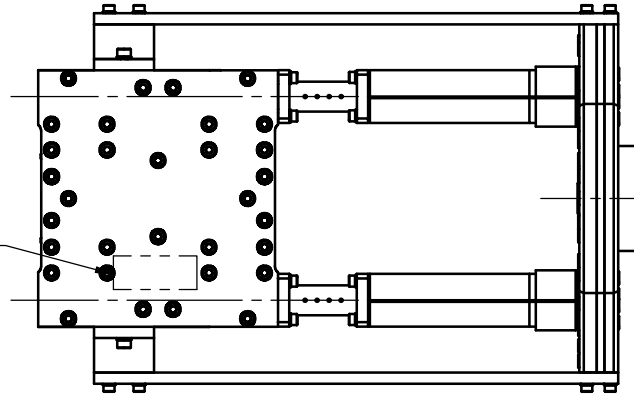
**FINISH**  
FLANGE FACES : CHROMATE CONVERSION COATED PER MIL-DTL-5541F, TYPE II, CLASS 1A  
EXTERIOR : WHITE PAINT, COLOR N<sub>o</sub> 17875 PER FED-STD-595

(A)  
(B)

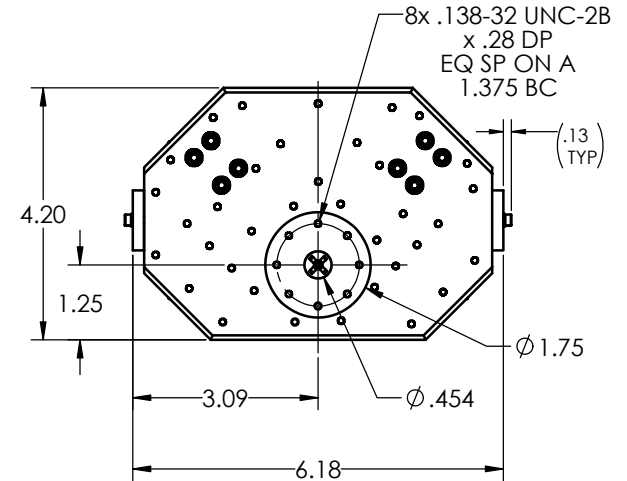
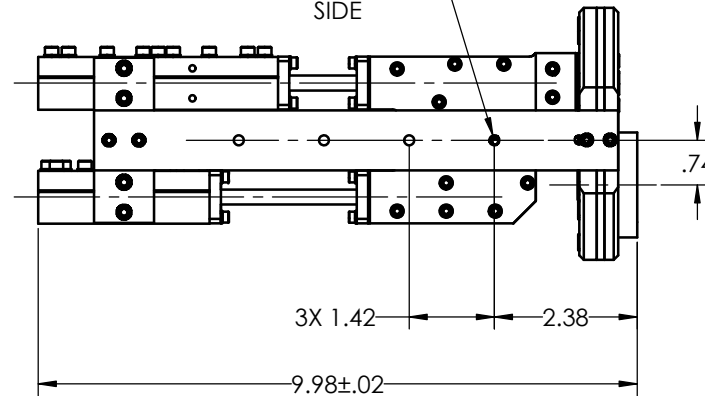
## REVISIONS

REV.	DESCRIPTION	DATE	APPROVED
-	INITIAL RELEASE	12DEC12	
A	REVISED PER EC 12589	25JUN13	
B	REVISED PER EC 12595	8/26/2013	

GD SATCOM  
50478 XX-XX  
P/N 113700-12  
S/N XXX



4x  $\phi$ .166 THRU  
NEAR & FAR  
SIDE



UNLESS OTHERWISE SPECIFIED

INTERPRET DIMENSIONING & TOLERANCING PER ANSI Y14.5M-1992. DIMENSIONS ARE IN INCHES. DIMENSIONS SHOWN IN ( ) ARE FOR REFERENCE ONLY. TOLERANCES ARE:  
SURFACE- TOLERANCES-  
32 ✓ .XX ±.01  
.XXX ±.002  
.XXXX ±.0010  
ANGLES ±0°30'

MATERIAL:

APPROVALS	DATE
DRAWN: A. BACA	12JUL12
CHECKED:	
RF-ENG:	
MFG-ENG:	
ENG-MGR:	

EAR CONTROLLED:

Export or re-export  
subject to 15 CFR  
700 - 799

GENERAL DYNAMICS PROPRIETARY  
**GENERAL DYNAMICS**  
**SATCOM Technologies**  
3111 Fujita Street, Torrance CA 90505, (310) 539-6704

**Ka-BAND 4-PORT NETWORK ASSEMBLY C.P.**

SIZE	FSCM N <sub>o</sub>	DWG N <sub>o</sub>	REV
C	50478	113700-12	B
SCALE: 5:8		SHEET 1	

NOTES: UNLESS OTHERWISE SPECIFIED.