



# RSLNBX12NP

## LNB Redundant Switch System 1:2

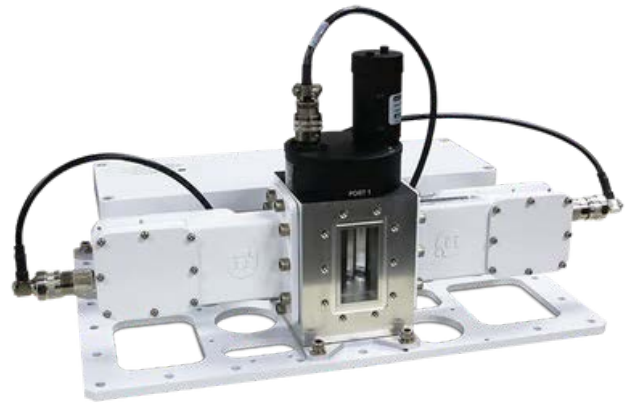
**Band:** X-Band

**Connector Type:** N-Connector Output

**Options:** Redundant Power Supply Connector

\*Mating power connector is available as a standard optional.

Supported LNBs: N-conn LNBs up to Quad-band and non simultaneous-band. **Sold separately.**



[Explore Video Course](#)



## KEY SPECIFICATIONS

<b>Band</b>	X-Band
<b>Input Frequency Band 1</b>	950 - 2150 MHz
<b>Redundancy</b>	1:2
<b>Switchover Time</b>	420 ms max.

## RF SPECIFICATIONS

<b>Insertion Loss</b>	Waveguide to LNB: 0.5 dB max.; LNB to Cable: 2.8 dB max.
-----------------------	--

## ELECTRICAL SPECIFICATIONS

<b>Power</b>	100-240 VAC (50-60 Hz)
--------------	------------------------

## INTERFACE SPECIFICATIONS

<b>Input Connector</b>	WR-112
<b>RF Output Connector</b>	N-Connector

## ENVIRONMENTAL SPECIFICATIONS

<b>IP Rating</b>	IP 66
------------------	-------



## Innovative Communication Solutions

Relative Humidity	Operational: 8% - 100%; Storage: 10% - 100%
Temperature Operational	-40°C to +60°C
Temperature Storage	-50 to +80°C

### PHYSICAL SPECIFICATIONS

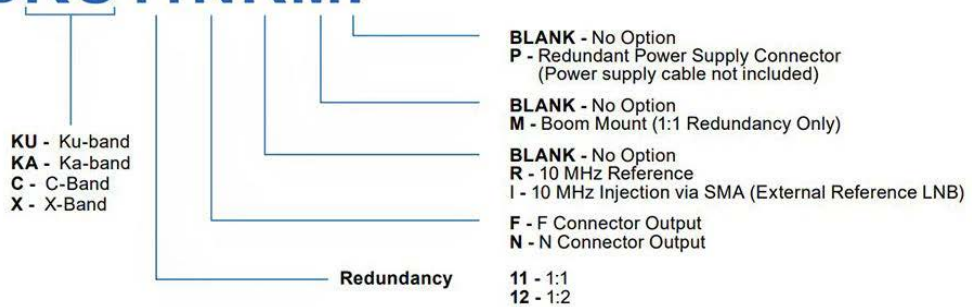
Product Height	140.97 mm
Product Length	412.75 mm
Product Weight	6.8 kg
Product Width	304.80 mm

### LOGISTICS SPECIFICATIONS

HS Code	Country of Origin	Ex Works	ECCN Number	Unit Package
8517690000	Made in Canada	Richmond, BC, Canada	EAR99	501.65 x 393.70 x 311.15 mm   8.16 kg

### HOW TO ORDER

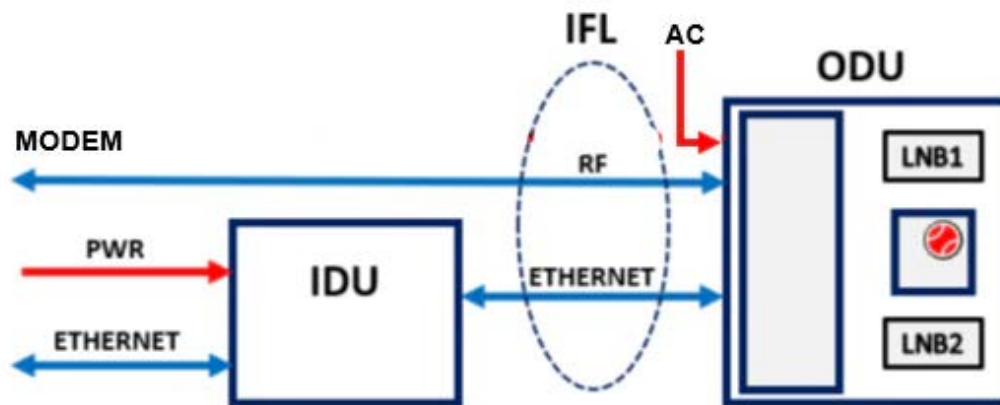
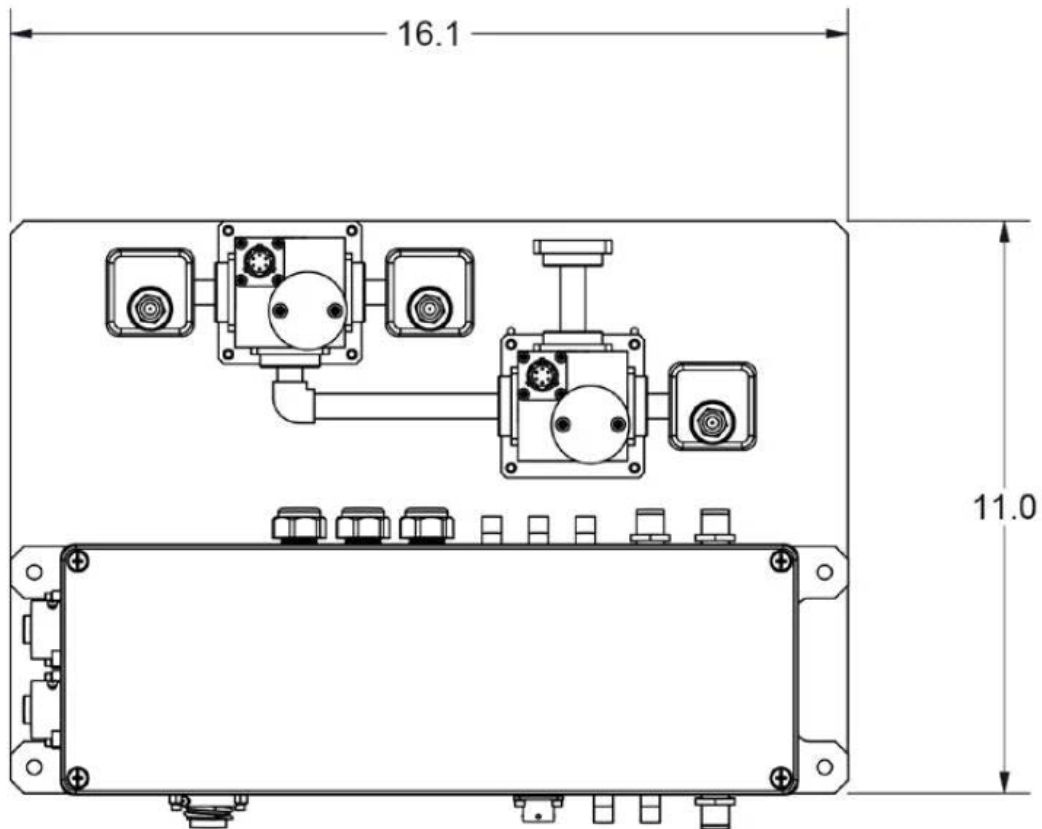
## RSLNBKU11NRMP



### MECHANICAL DIAGRAMS



# 1:2 Switch



Norsat authorized distributor

**Esatcom Inc.**  
3628 Francis Lewis Blvd.  
Flushing, NY 11358  
[www.esatcom.com](http://www.esatcom.com)  
Tel: 718.799.0084  
Email: [sales@esatcom.com](mailto:sales@esatcom.com)