

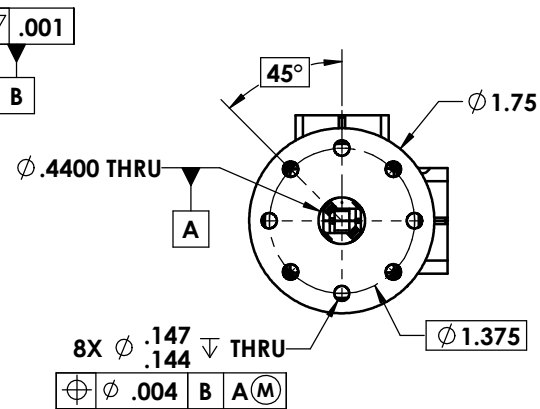
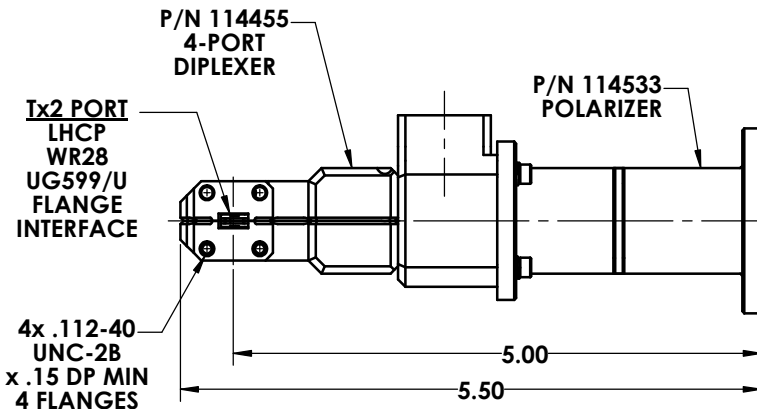
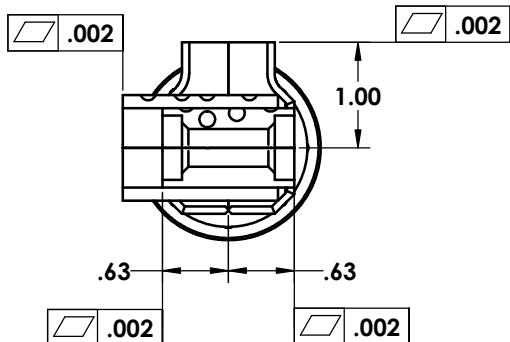
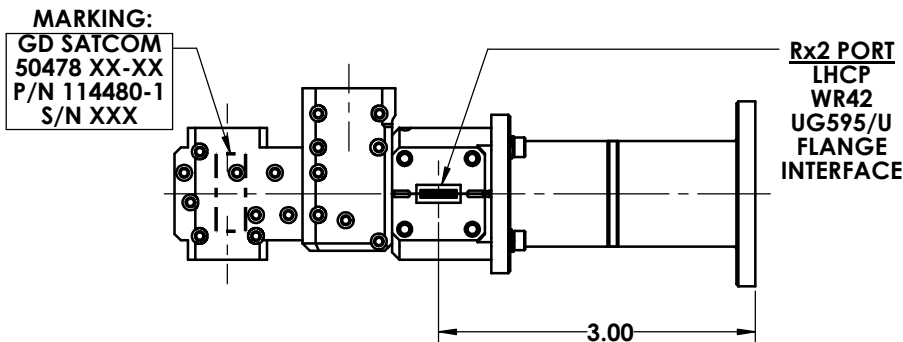
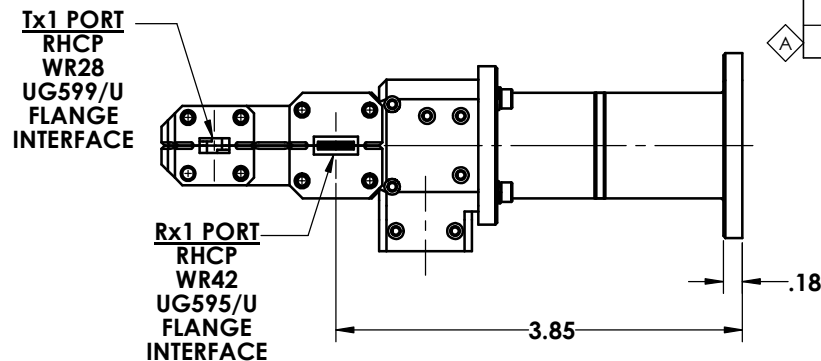
ELECTRICAL SPECIFICATIONS

FREQUENCY BAND	Rx: 19.2 - 21.2 GHz Tx: 29.0 - 31.0 GHz
INSERTION LOSS	Rx: 0.50 dB MAX AT 19.20-20.20 GHz 0.45 dB MAX AT 20.20-21.20 GHz Tx: 0.40 dB MAX
VSWR	Rx: 1.25:1 MAX Tx: 1.25:1 MAX
ISOLATION	Tx/Rx: 85 dB MIN Rx/Tx: 85 dB MIN Tx/ Tx: 20 dB MIN Rx/Rx: 20 dB MIN
AXIAL RATIO	Rx: 1.21 dB MAX AT 19.2 to 19.7 GHz 0.75 dB MAX AT 19.7 to 21.2 GHz 0.50 dB MAX AT 20.2 to 21.2 GHz Tx: 0.75 dB MAX AT 29.0 to 30.0 GHz 0.50 dB MAX AT 30.0 to 31.0 GHz

MECHANICAL SPECIFICATIONS

POWER HANDLING	: 500 W PER Tx PORT (1 KW TOTAL)
PRESSURIZATION	: SEALED TO 5.0 PSIG
FINISH INTERIOR & FLANGE FACES	: CHROMATE CONVERSION COATED PER MIL-DTL-5541F, TYPE II, CLASS 1A
EXTERIOR	: WHITE PAINT, COLOR No 17875 PER FED- STD-595

REVISIONS			
REV.	DESCRIPTION	DATE	APPROVED
-	INITIAL RELEASE	23JUL13	
A	SEE EC No 13140	7/3/2014	



NOTES: UNLESS OTHERWISE SPECIFIED.

UNLESS OTHERWISE SPECIFIED INTERPRET DIMENSIONING & TOLERANCING PER ANSI Y14.5M-1992. DIMENSIONS ARE IN INCHES. DIMENSIONS SHOWN IN () ARE FOR REFERENCE ONLY. TOLERANCES ARE: SURFACE- TOLERANCES- XX ±.01 XXX ±.002 XXXX ±.0010 ANGLES ±0°30'	APPROVALS	DATE	GENERAL DYNAMICS PROPRIETARY		
	DRAWN: TOVALIN	01-04-11	GENERAL DYNAMICS		
	CHECKED:		SATCOM Technologies		
	ENGR:		3111 Fujita Street, Torrance CA 90505, (310) 539-6704		
MFG:			Ka-BAND 4-PORT DIPLEXER, CIRCULAR POLARIZED		
QA:			SIZE C FSCM No. 50478 DWG No. 114480-1 REV A		
EAR CONTROLLED:		Export or re-export subject to 15 CFR 700 - 799		SCALE: NA SHEET 1	