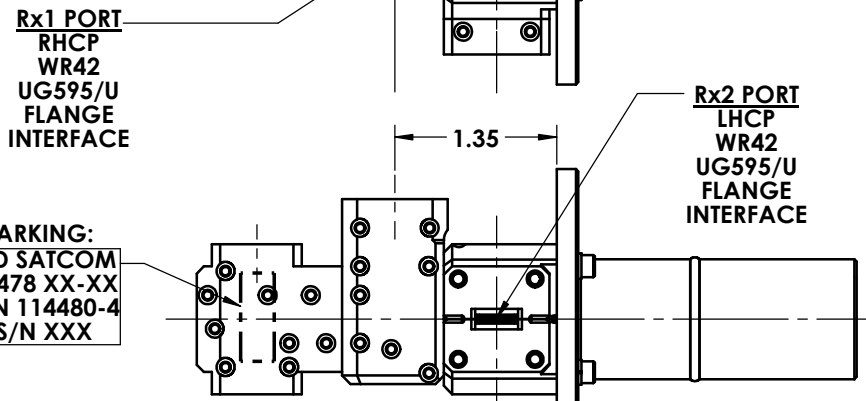
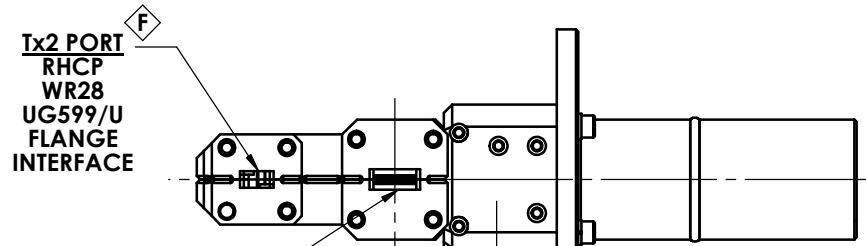
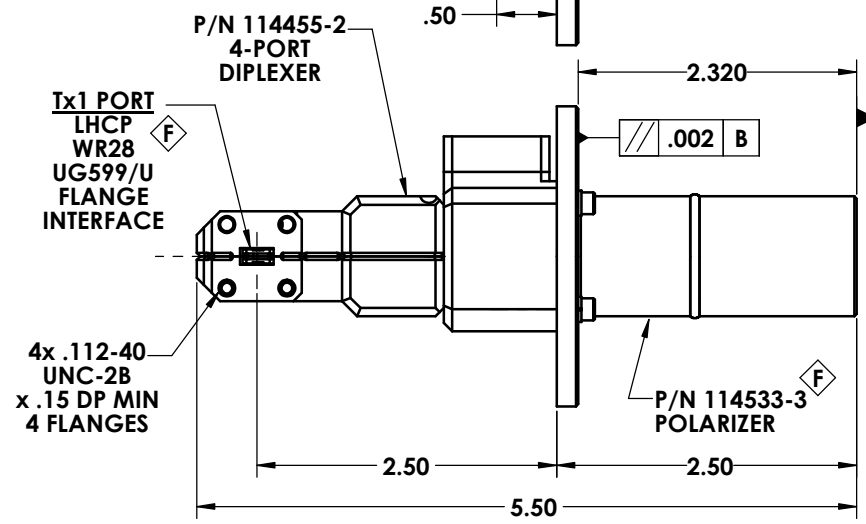
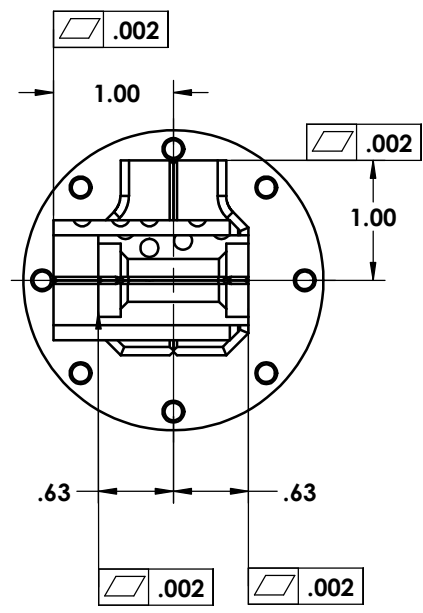
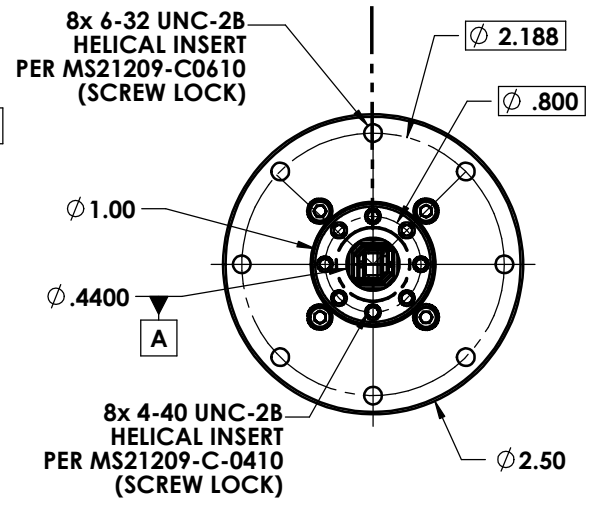
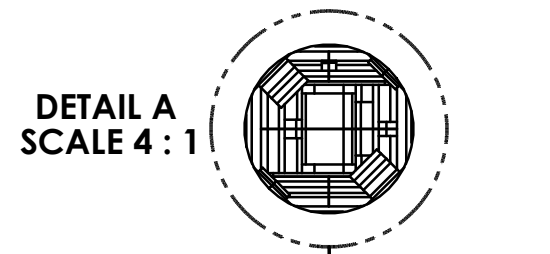


REVISIONS				
ZONE	REV.	DESCRIPTION	DATE	APPROVED
D	D	SEE EC 12443	4/9/2014	
E	E	SEE EC 12508	4/9/2014	
F	F	SEE EC 12673	4/9/2014	
G	G	SEE EC № 13139	7/3/2014	



MARKING:  
GD SATCOM  
50478 XX-XX  
P/N 114480-4  
S/N XXX



UNLESS OTHERWISE SPECIFIED  
INTERPRET DIMENSIONING &  
TOLERANCING PER ANSI  
Y14.5M-1992. DIMENSIONS ARE  
IN INCHES. DIMENSIONS SHOWN  
IN ( ) ARE FOR REFERENCE  
ONLY. TOLERANCES ARE:  
SURFACE- TOLERANCES-  
.XX ±.01  
.XXX ±.002  
.XXXX ±.0010  
ANGLES ±0°30'

32

MATERIAL:

APPROVALS		DATE
DRAWN: TOVALIN		01-04-11
CHECKED: H. Spieleder		12-20-11
RF-ENG: J. Wrigley		01-20-11
MFG-ENG: J. Quicho		01-17-11
ENG-MRG:		
<b>EAR CONTROLLED:</b>		
Export or re-export subject to 15 CFR 700 - 799		

GENERAL DYNAMICS PROPRIETARY

**GENERAL DYNAMICS**  
**SATCOM Technologies**  
3111 Fujita Street, Torrance CA 90505, (310) 539-6704

**Ka-BAND 4-PORT DIPLEXER,  
CIRCULAR POLARIZED**

SIZE C	FSCM No. 50478	DWG No. <b>114480-4</b>	REV G
SCALE: 5:4		SHEET 1	

NOTES: UNLESS OTHERWISE SPECIFIED.

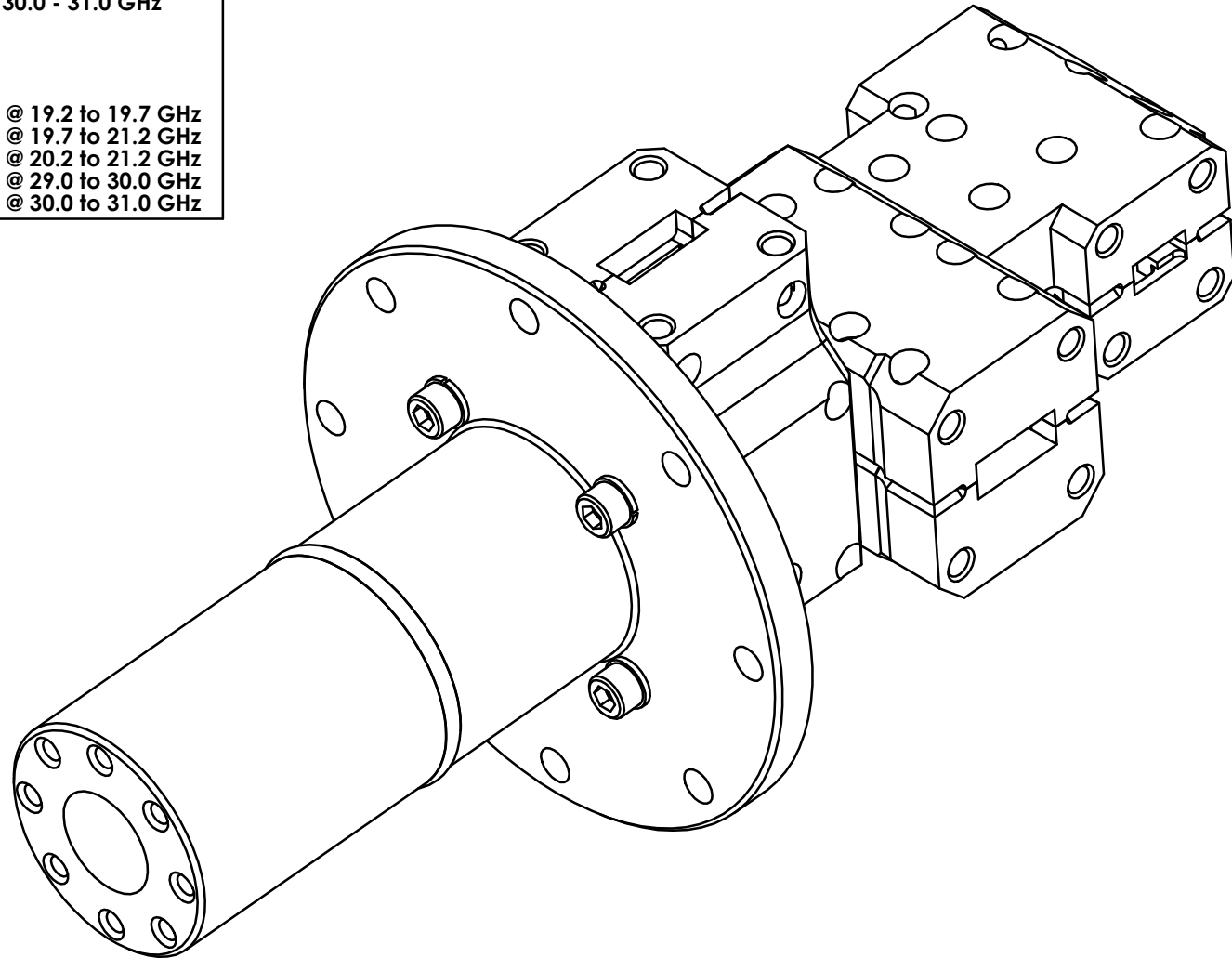
# SPECIFICATIONS

<b>FREQUENCY BAND</b>	Rx: 19.2 - 21.2 GHZ Tx: 29.0 - 31.0 GHZ
<b>INSERTION LOSS</b> ⋄E	Rx: 0.50 dB MAX @ 19.20-20.20 GHZ 0.45 dB MAX @ 20.20-21.20 GHZ Tx: 0.40 dB MAX
<b>VSWR</b>	Rx: 1.25:1 MAX Tx: 1.25:1 MAX
<b>ISOLATION</b>	Tx/Rx: 85 dB MIN @ 29.0 - 30.0 GHZ 90 dB MIN @ 30.0 - 31.0 GHZ Rx/Tx: 90 dB MIN Tx/Tx: 20 dB MIN Rx/Rx: 20 dB MIN
<b>AXIAL RATIO</b>	Rx: 1.21 dB MAX @ 19.2 to 19.7 GHZ 0.75 dB MAX @ 19.7 to 21.2 GHZ 0.50 dB MAX @ 20.2 to 21.2 GHZ Tx: 0.75 dB MAX @ 29.0 to 30.0 GHZ 0.50 dB MAX @ 30.0 to 31.0 GHZ

**POWER HANDLING** : 500 W PER Tx PORT (1 kW TOTAL)

**PRESSURIZATION** : SEALED TO 5.0 PSIG

**FINISH INTERIOR**  
& **FLANGE FACES** : CHROMATE CONVERSION COATED  
PER MIL-DTL-5541F, TYPE II, CLASS 1A ⋄G  
**EXTERIOR** : WHITE PAINT, COLOR No 17875  
PER FED- STD-595



SIZE	FSCM No.	DWG No.	REV
C	50478	114480-4	G
SCALE:	3:1	SHEET	2