



RSLNBX11NRMP

LNB Redundant Switch System 1:1

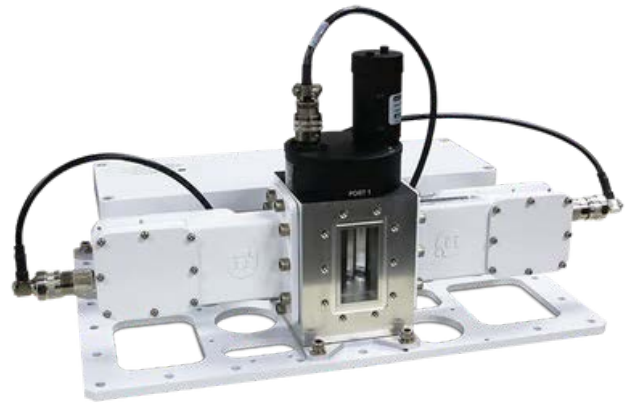
Band: X-Band

Connector Type: N-Connector Output

Options: 10 MHz Reference + Boom Mount + Power Supply Connector

*Mating power connector is available as a standard optional.

Supported LNBs: N-conn LNBs up to Quad-band and non simultaneous-band. **Sold separately.**



[Explore Video Course](#)



KEY SPECIFICATIONS

Band	X-Band
Input Frequency Band 1	950 - 2150 MHz
Redundancy	1:1
Switchover Time	420 ms max.

RF SPECIFICATIONS

Insertion Loss	Waveguide to LNB: 0.5 dB max.; LNB to Cable: 2.8 dB max.
-----------------------	--

ELECTRICAL SPECIFICATIONS

Power	100-240 VAC (50-60 Hz)
--------------	------------------------

INTERFACE SPECIFICATIONS

Input Connector	WR-112
RF Output Connector	N-Connector

ENVIRONMENTAL SPECIFICATIONS





Innovative Communication Solutions

IP Rating	IP 66
Relative Humidity	Operational: 8% - 100%; Storage: 10% - 100%
Temperature Operational	-40°C to +60°C
Temperature Storage	-50 to +80°C

PHYSICAL SPECIFICATIONS

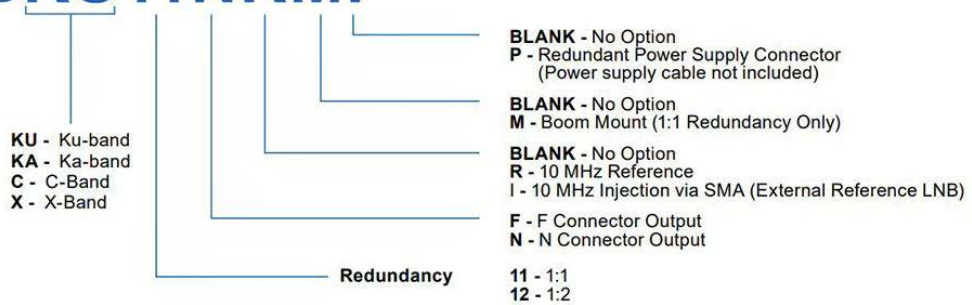
Controller Box Height	66.80 mm
Controller Box Length	411.73 mm
Controller Box Weight	3.4 kg
Controller Box Width	163.83 mm
RF Switch Height	132.08 mm
RF Switch Length	209.04 mm
RF Switch Weight	1.43 kg
RF Switch Width	65.63 mm

LOGISTICS SPECIFICATIONS

HS Code	Country of Origin	Ex Works	ECCN Number	Unit Package
8517690000	Made in Canada	Richmond, BC, Canada	EAR99	501.65 x 393.70 x 311.15 mm 8.16 kg

HOW TO ORDER

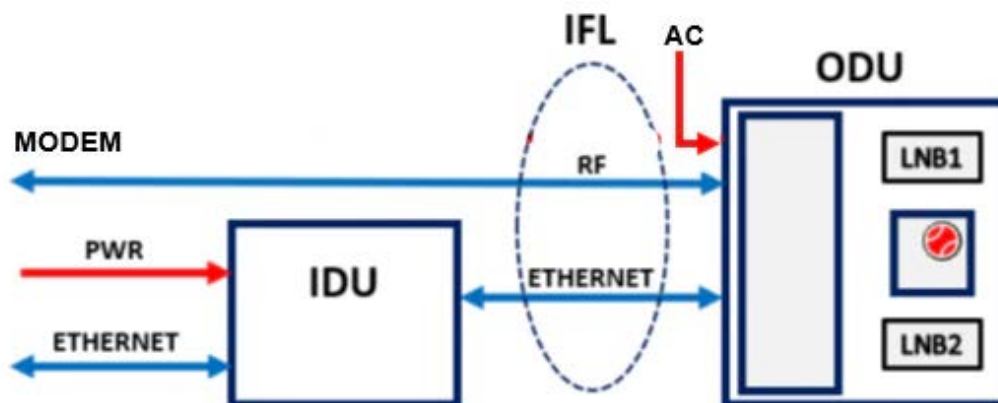
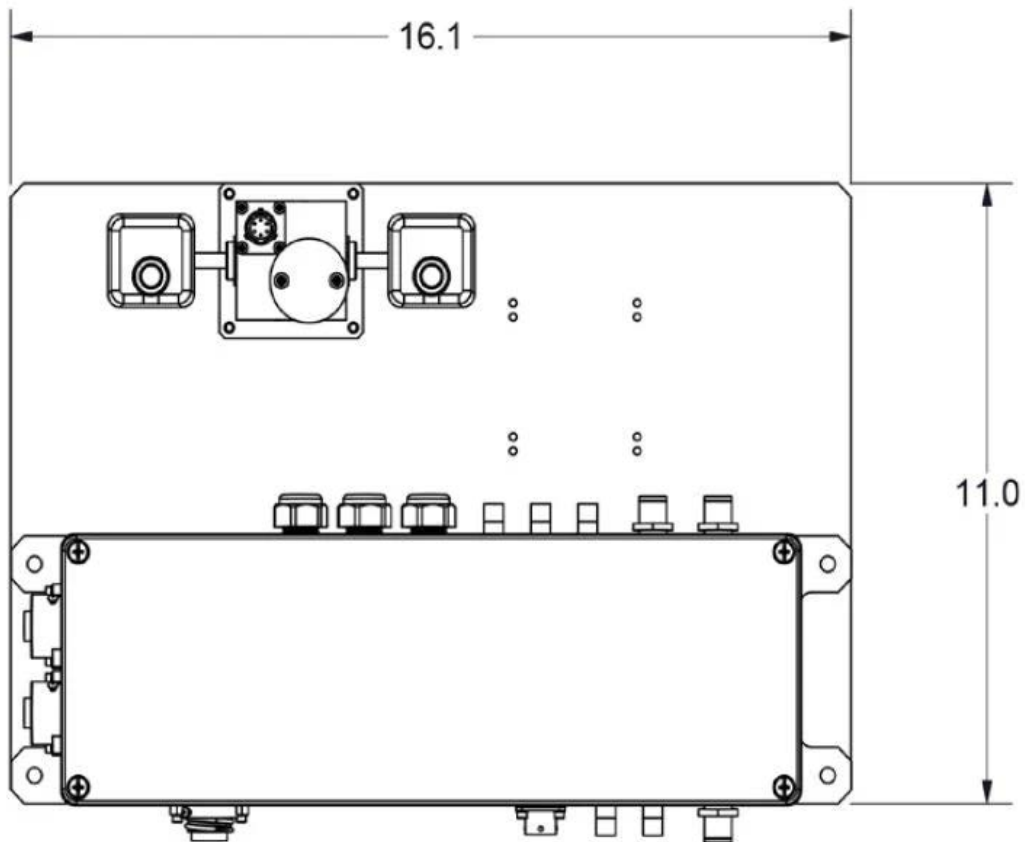
RSLNBKU11NRMP



MECHANICAL DIAGRAMS



1:1 Switch



Norsat authorized distributor

Esatcom Inc.
3628 Francis Lewis Blvd.
Flushing, NY 11358
www.esatcom.com
Tel: 718.799.0084
Email: sales@esatcom.com