



LNB

KU-BAND EXT. REF COMPACT 1000XH



TYPICAL SPECIFICATIONS

Noise Figure	0.7 to 0.9 dB depending on model
L.O. stability	Phase Locked to External Reference
Gain Flatness (-40°C to +60°C)	1.5dBp-p @ over 27 MHz 4dBp-p @ over 500 MHz
Gain Variation @ Fixed Freq. (-40°C to +60°C)	6 dBp-p max
Phase noise (SSB)	-75 dBc / Hz at 1 kHz -85 dBc / Hz at 10 kHz -95 dBc / Hz at 100 kHz
Input VSWR	2.0 : 1
Output VSWR	2.0 : 1

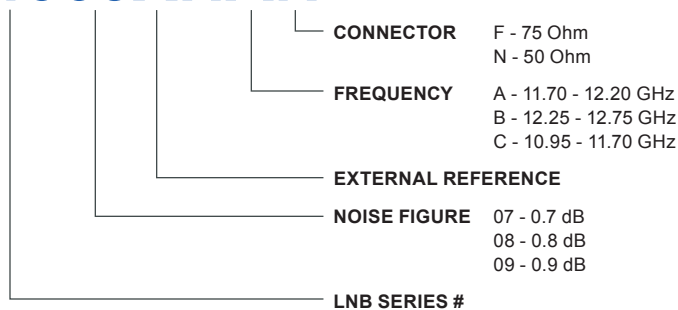
Conversion gain	60 dB
Output P1dB	6 dBm
Power requirements	+15 to +24 V supplied through center conductor of IF cable
Current drain	200 mA
Input Waveguide	WR75
Dimensions	110 (L) x 42 (W) x 42 (H) mm (4.3 x 1.7 x 1.7 in)
Weight	300g / 10.6 oz
External Ref Frequency	10MHz (sine-wave), -10 to 0 dBm
Temperature Range	-40C to +60C

FREQUENCY BANDS AVAILABLE

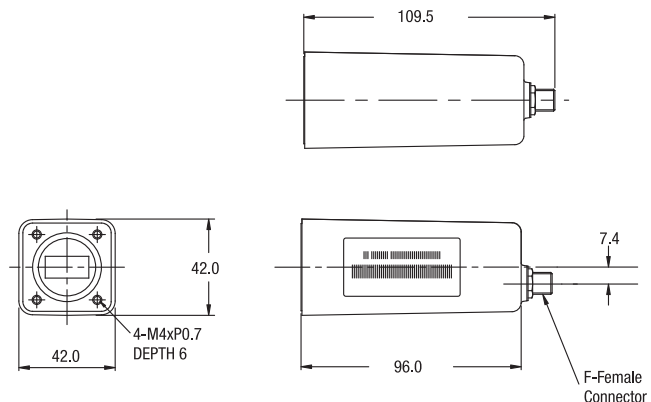
Typical service	1000XHA	1000XHB	1000XHC
Input frequency (GHz)	11.70 to 12.20	12.25 to 12.75	10.95 to 11.70
L.O. frequency (GHz)	10.75	11.30	10.00
Output frequency (MHz)	950 to 1450	950 to 1450	950 to 1700

HOW TO ORDER

1009XHAN



MECHANICAL DIAGRAM



Click below models to place online order

- 1007XHA
- 1007XHB
- 1007XHC
- 1008XHA
- 1008XHB
- 1008XHC
- 1009XHA
- 1009XHB
- 1009XHC



Esatcom Inc
Norsat authorized distributor

Tel
718.276.0800

Email
sales@esatcom.com

