

# SPECIFICATIONS

REVISIONS			
REV.	DESCRIPTION	DATE	APPROVED
B	REVISED PER EC 12354	03-06-13	
C	REVISED PER EC 12583	24JUN13	
D	REVISED PER EC 12796	27SEP13	
E	SEE CN 13453	15/07/09	J. MITCHELL

**FREQUENCY BAND:** 17.60 - 22.20 GHz

**INSERTION LOSS :** 0.15 dB MAX

**VSWR :** 1.20:1 MAX

**ISOLATION**  
**PORT TO PORT :** 20 dB MIN

**AXIAL RATIO :** 0.50 dB MAX

**PRESSURIZATION :** SEALED TO 5.0 PSIG

**FINISH**  
**PORT FLANGE :** ZINC-NICKEL PLATED PER AMS 2417G,  
TYPE II, CLASS 2

**Rx PORT FLANGE :** CHROMATE CONVERSION COATED PER  
MIL-DTL-5541F, CLASS 1A

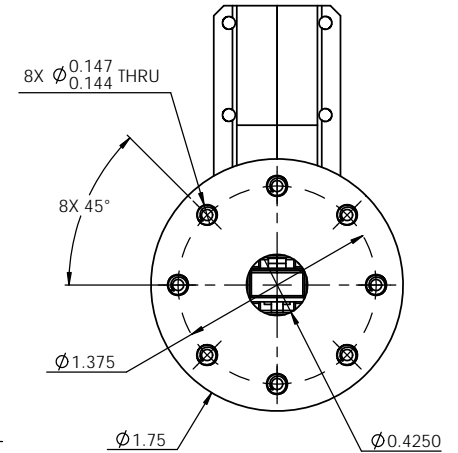
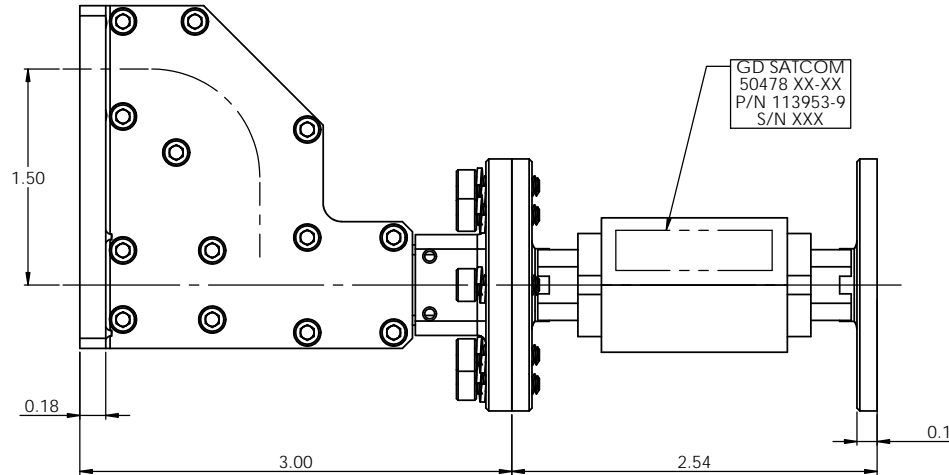
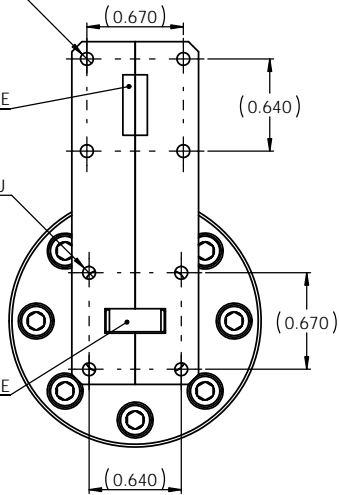
**EXTERIOR :** WHITE PAINT, COLOR N<sub>o</sub> 17875  
PER FED-STD-595

4X #4-40 UNC-2B  
FULL THREAD THRU

Rx-PORT 2 - RHCP  
WR42 UG 595/U  
FLANGE INTERFACE

4X #4-40 UNC-2B  
FULL THREAD THRU

Rx-PORT 1 - LHCP  
WR42 UG 595/U  
FLANGE INTERFACE



NOTES: UNLESS OTHERWISE SPECIFIED.

UNLESS OTHERWISE SPECIFIED INTERPRET DIMENSIONING & TOLERANCING PER ANSI Y14.5M-1992. DIMENSIONS ARE IN INCHES. DIMENSIONS SHOWN IN ( ) ARE FOR REFERENCE ONLY. TOLERANCES ARE: SURFACE- TOLERANCES- 32 ✓ XX ±.01 XXX ±.002 XXXX ±.0010 ANGLES ±0°30'	APPROVALS	DATE	GENERAL DYNAMICS PROPRIETARY			
	DRAWN: JACK DAVIS	08-28-2012	<b>GENERAL DYNAMICS</b>			
	CHECKED:		<b>SATCOM Technologies</b>			
	RF-ENG:		3111 Fujita Street, Torrance CA 90505, (310) 539-6704			
MFG-ENG:			<b>K-BAND 2-PORT, RxO, CIRCULAR POLARIZED</b>			
ENG-MGR:			<b>113953-9</b>			
<b>EAR CONTROLLED:</b>			SIZE	FSCM N <sub>o</sub>	DWG N <sub>o</sub>	REV
Export or re-export subject to 15 CFR 700 - 799			C	50478	113953-9	E
MATERIAL: - SEE PARTS LIST -			SCALE:	3:2	WEIGHT:	0.53 lbs
					SHEET	1