

# SPECIFICATIONS

**FREQUENCY BAND** Rx: 21.45 - 21.95 GHz  
Tx: 24.70 - 25.20 GHz

**INSERTION LOSS** Rx: 0.40 dB MAX  
Tx: 0.40 dB MAX

**VSWR** Rx: 1.30:1 MAX  
Tx: 1.30:1 MAX

**ISOLATION** Tx/Rx: 100 dB MIN  
Rx/Tx: 60 dB MIN  
Rx/Rx: 30 dB MIN  
Tx/Tx: 30 dB MIN

**CROSS-POL** : 30 dB MIN

**f/D** : (0.6)

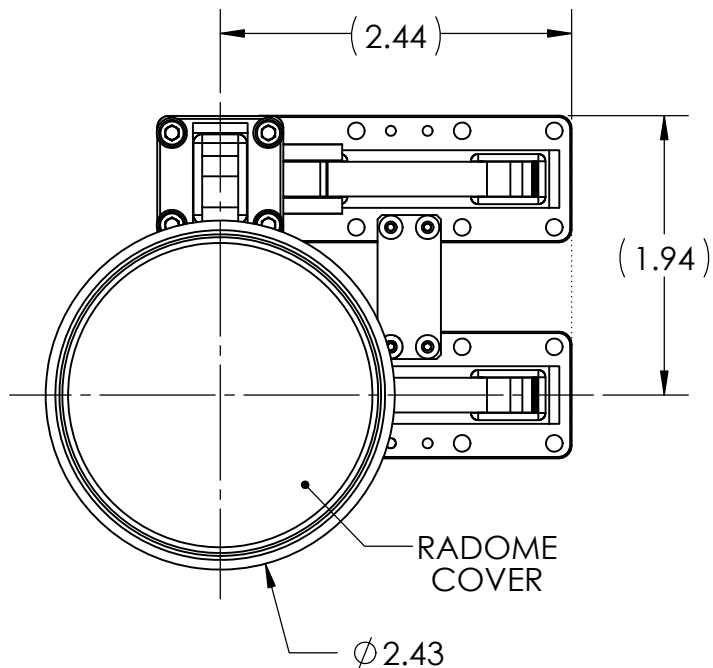
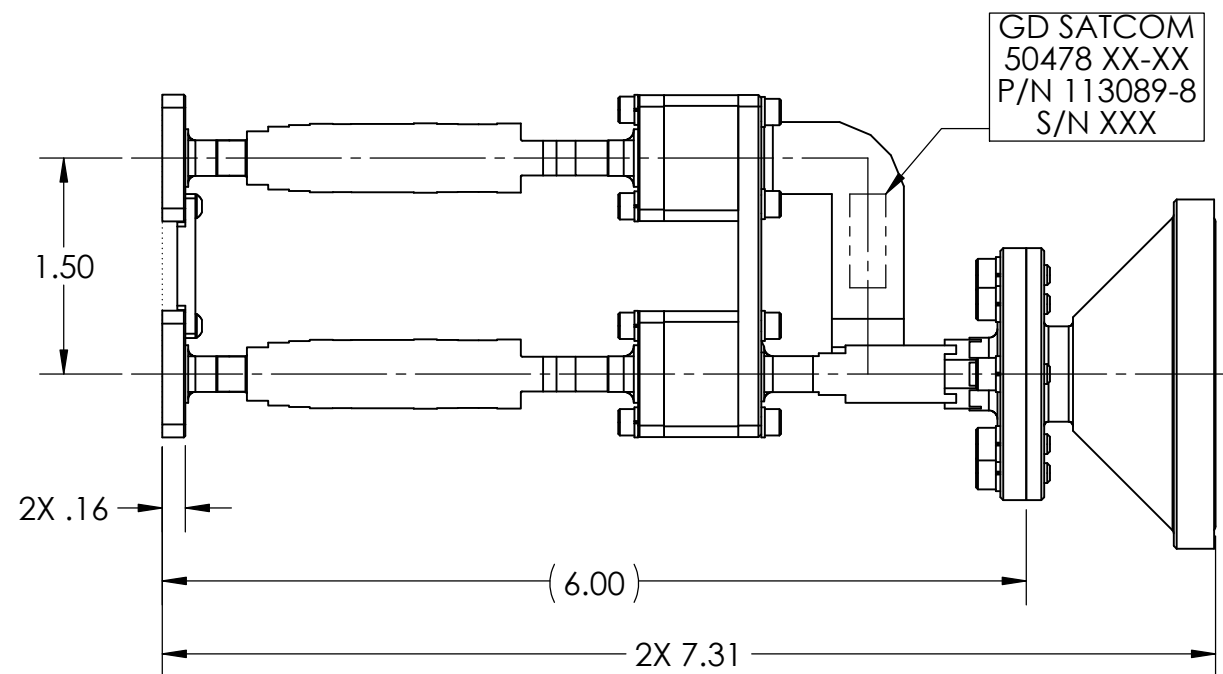
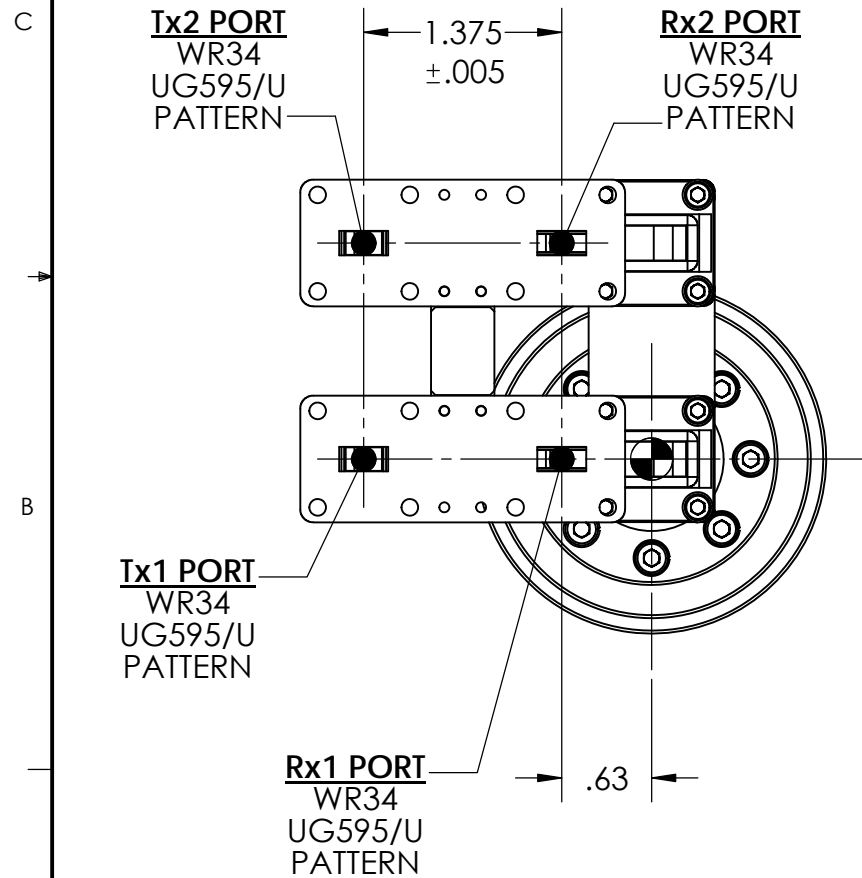
**POWER HANDLING** : 500 W MIN CW (250 W PER Tx PORT)

**PRESSURIZATION** : SEALED TO 0.5 PSIG

**FINISH**  
FLANGE FACES : COPPER ALLOY  
EXTERIOR : WHITE PAINT, COLOR No 17875  
PER FED-STD-595

# REVISIONS

ZONE	REV.	DESCRIPTION	DATE	APPROVED
	A	INITIAL RELEASE	3/26/2014	



NOTES: UNLESS OTHERWISE SPECIFIED.

DO NOT SCALE DRAWINGS		APPROVALS	DATE	GENERAL DYNAMICS PROPRIETARY			
<small>UNLESS OTHERWISE SPECIFIED, INTERPRET DIMENSIONING &amp; TOLERANCING PER ANSI/ASME Y14.5M-2009. DIMENSIONS ARE IN INCHES. DIMENSIONS SHOWN IN ( ) ARE FOR REFERENCE ONLY.</small> <b>TOLERANCES:</b> TWO PLACE DECIMAL ±.01 THREE PLACE DECIMAL ±.002 FOUR PLACE DECIMAL ±.0010 ANGLES ± 0°30'		DRAWN: H. Lim	03-21-14	<b>GENERAL DYNAMICS</b> SATCOM Technologies 3111 Fujita Street, Torrance CA 90505, (310) 539-6704 TITLE: <b>4-PORT FEED, K-BAND LINEAR POLARIZED</b>			
		CHECKED:					
		RF DESIGN:					
		MFG:					
<small>THIRD ANGLE PROJECTION</small> 		QA:		SIZE	CAGE CODE	DWG No	REV
		ENG MGR:		B	50478	113089-8	A
<small>EAR CONTROLLED</small> Export or re-export subject to 15 CFR 700 - 799		<small>MATERIAL</small>		SCALE:	WEIGHT:	SHEET	
				3:4	1.061 LB	1 of 2	