

SPECIFICATIONS

FREQUENCY RANGE

Tx: 17.30 - 18.40 GHz  
Rx: 10.70 - 12.75 GHz

INSERTION LOSS

Tx: 0.25 dB MAX  
Rx: 0.25 dB MAX

VSWR

Tx: 1.20:1 MAX  
Rx: 1.20:1 MAX

ISOLATION

Tx/Rx: 85 dB MIN  
Rx/Tx: 85 dB MIN

CROSS POL : 35 dB MIN

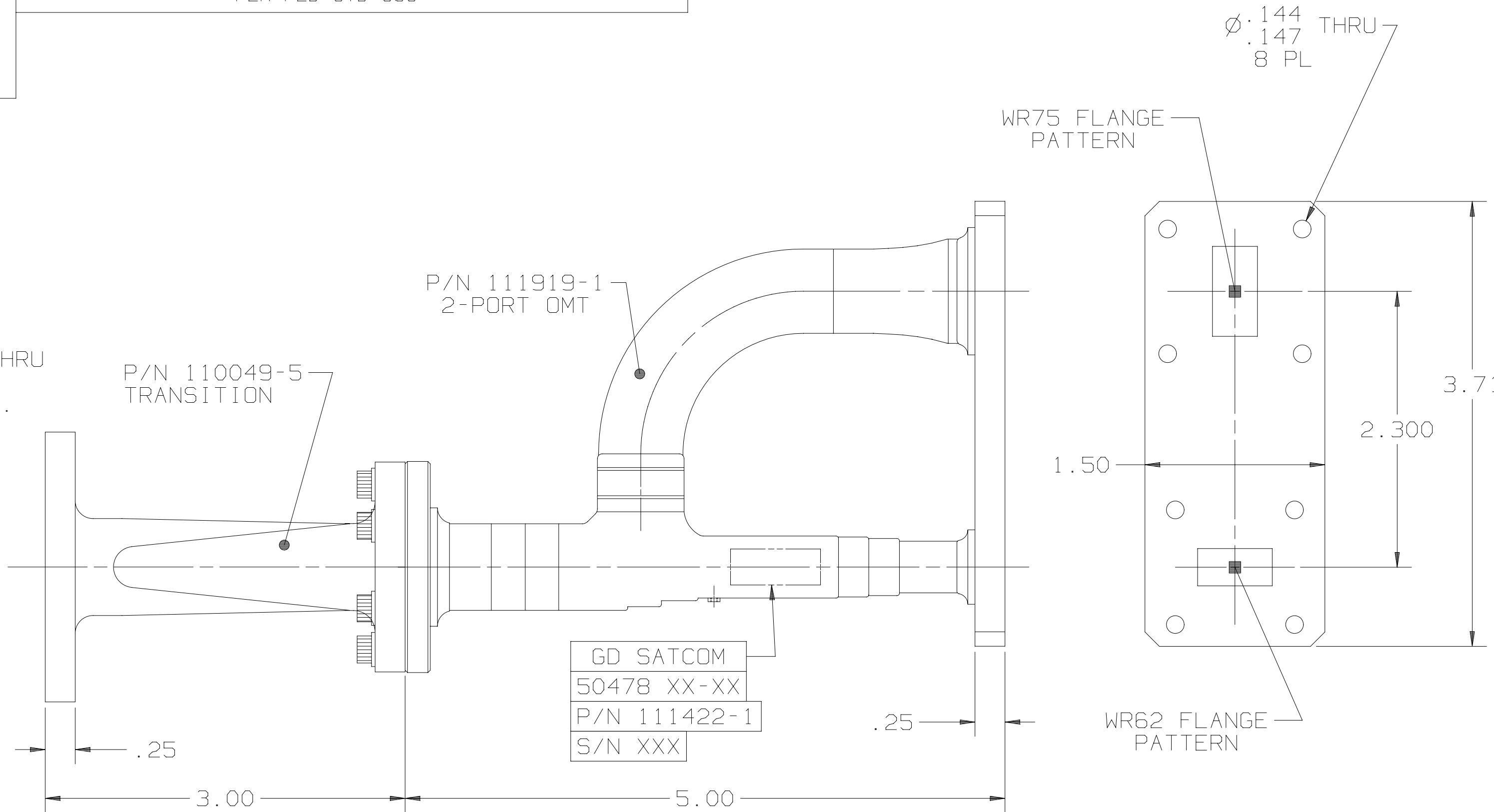
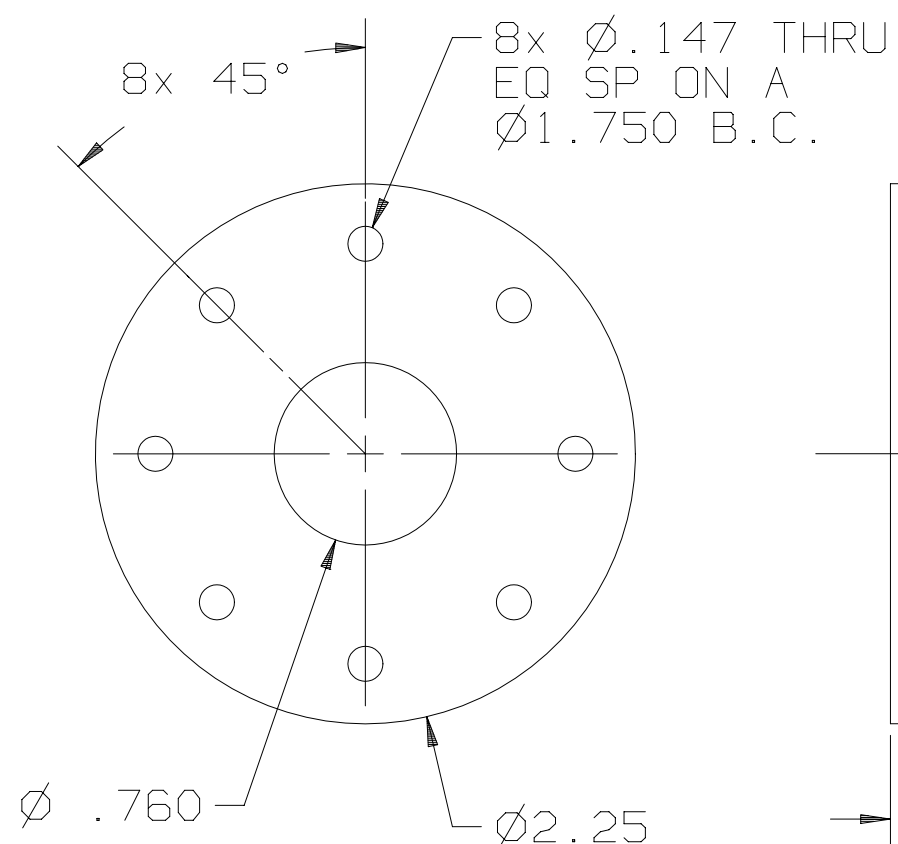
POWER HANDLING: 2.0 KW

FINISH COMMON

PORT FLANGE: ZINC-NICKEL PLATED PER AMS 2417G, TYPE II, CLASS 2  
Rx/Tx FLANGE: CHROMATE CONVERSION COATED  
EXTERIOR: WHITE PAINT, COLOR #17875 PER FED-STD-595

REVISIONS

REV	DESCRIPTION	DATE	APPROVED
A	SEE REVISION SHT	11-30-00	H.S.



UNLESS OTHERWISE SPECIFIED		APPROVALS	DATE	GENERAL DYNAMICS PROPRIETARY	
INTERPRET DIMENSIONING & TOLERANCING PER ANSI Y14.5M-1982. DIMENSIONS ARE IN INCHES. DIMENSIONS SHOWN IN ( ) ARE FOR REFERENCE ONLY. TOLERANCES ARE:  SURFACE- 32 ✓ TOLERANCES- .XX ±.01 .XXX ±.002 .XXXX ± ANGLES ±0°30'		DRAWN: H. Lim	04-10-98	<b>GENERAL DYNAMICS</b> SATCOM Technologies 3111 Fujita St., Torrance, CA 90505, (310) 539-6704	
		CHECKED: H. Spieleder	04-15-98		
		EAR CONTROLLED: Export or re-export subject to 15 CFR 700-799.		Ku-BAND 2-PORT 10.7-12.75 & 17.3-18.4 GHz	
		MATERIAL:		SIZE: C	FSCM No. 50478
		SCALE: 2:1	SHEET 1		

NOTES: UNLESS OTHERWISE SPECIFIED.