

8 7 6 5 4 3 2 1

SPECIFICATIONS

FREQUENCY BAND RX: 10.70- 12.75 GHz
TX: 13.75- 14.50 GHz

INSERTION LOSS RX: .35 dB MAX
TX: .20 dB MAX

VSWR RX: 1.30:1 MAX
TX: 1.30:1 MAX

ISOLATION TX/RX: 85 dB MIN
RX/TX: 35 dB MIN

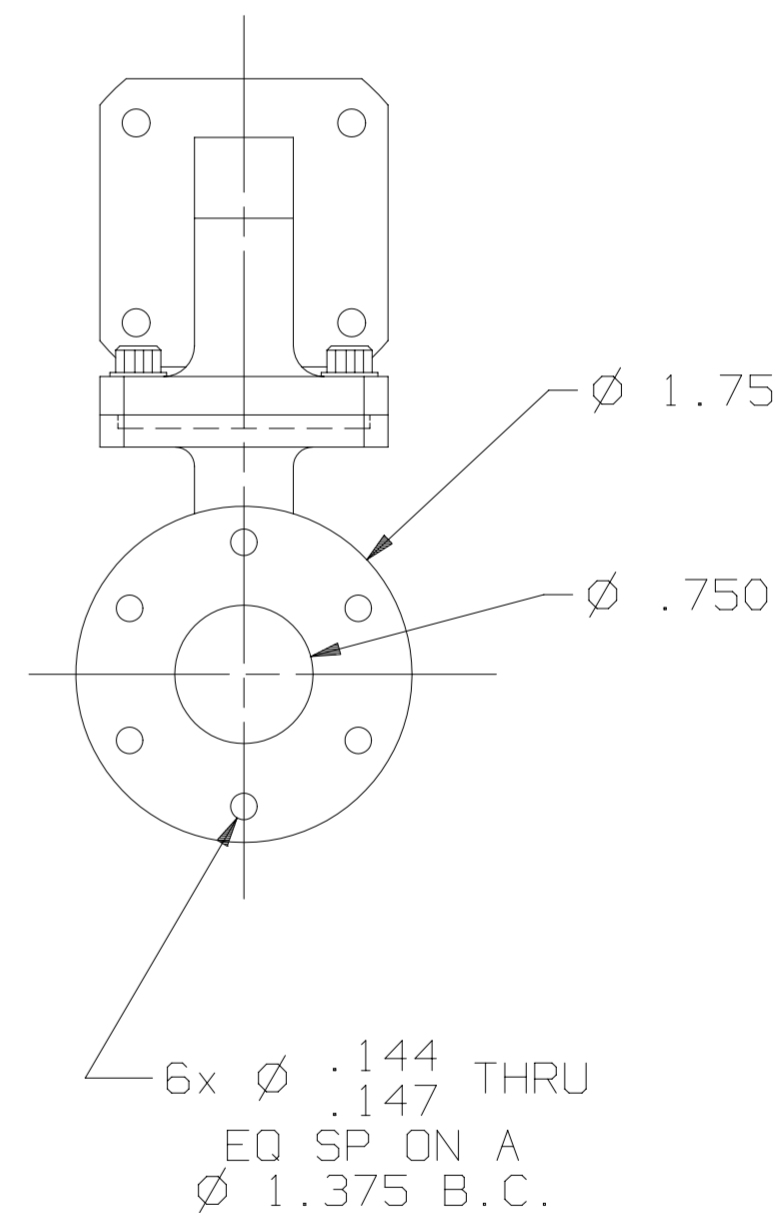
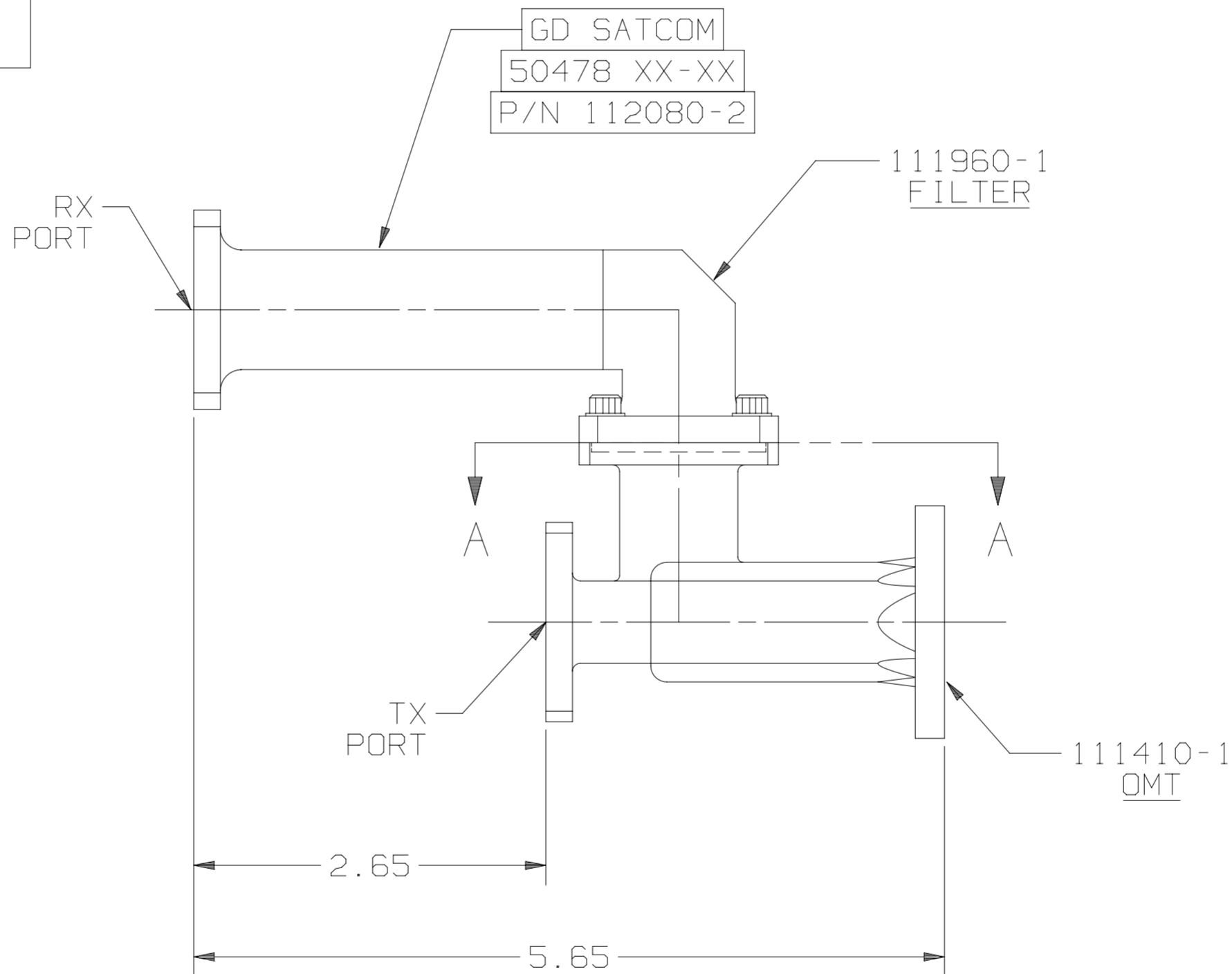
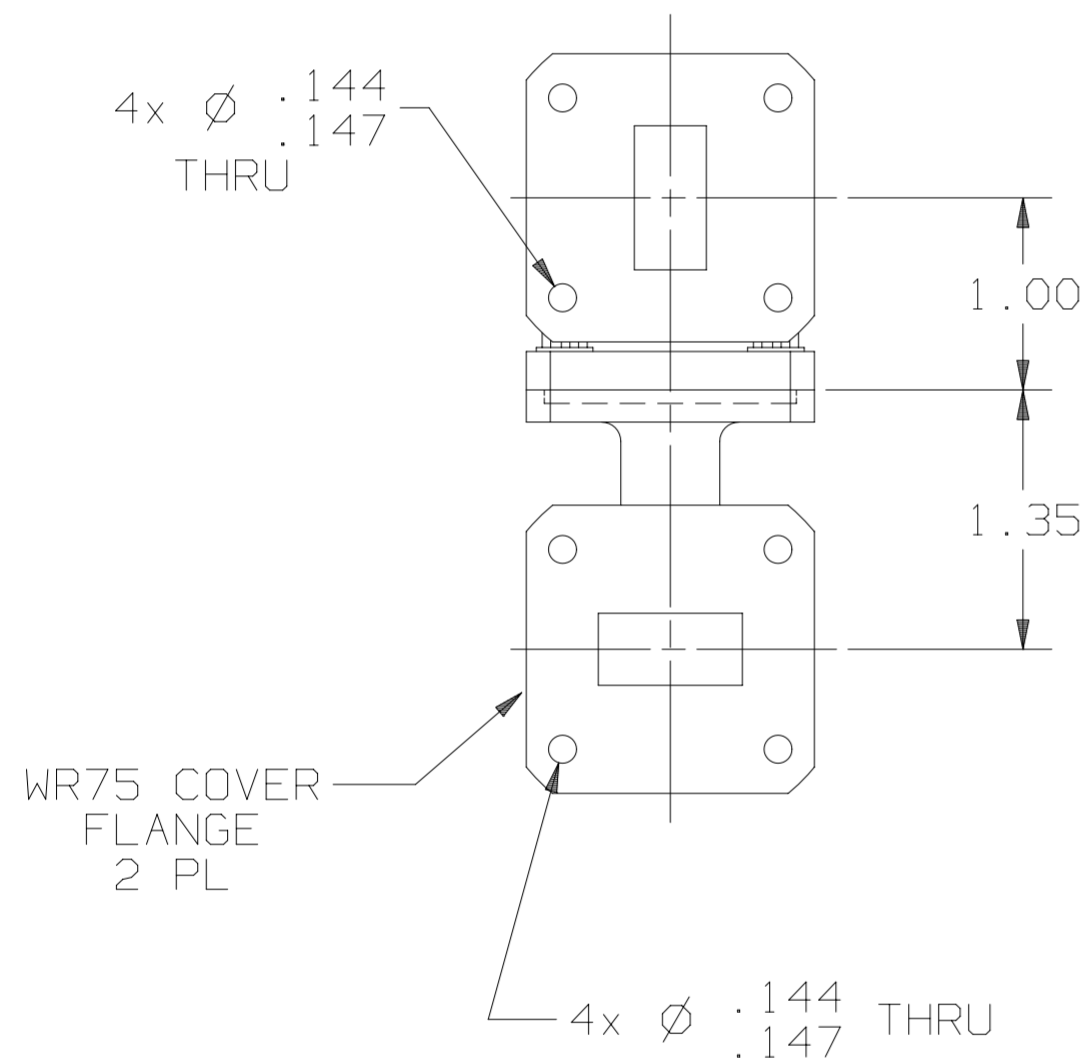
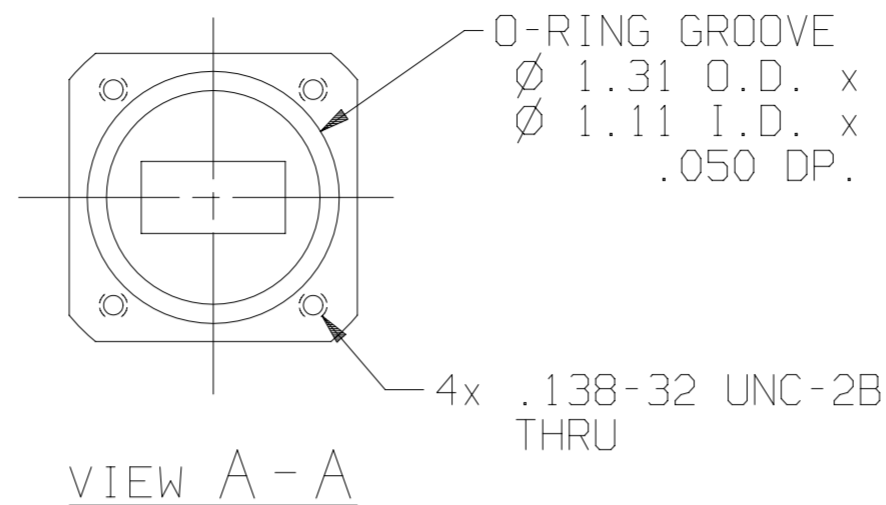
CROSSPOL : 35 dB MIN

POWER HANDLING : 1 KW CW

PRESSURIZATION : SEALED TO 5.0 PSIG

FINISH INTERIOR AND FLANGE FACES: CHEMFILMED PER MIL-C-5541 C, CLASS 1A
EXTERIOR: WHITE PAINT, COLOR No. 17875 PER FED-STD-595

REVISIONS			
REV	DESCRIPTION	EFFECTIVE DATE	APPROVED BY
C	DR# 10111		



UNLESS OTHERWISE SPECIFIED		SIGNATURES		DATE		GENERAL DYNAMICS PROPRIETARY							
DIMENSIONS ARE IN INCHES		DRAWN: H. Lim		01-08-99		GENERAL DYNAMICS SATCOM Technologies 3111 Fujita St., Torrance, CA 90505, (310) 539-6704							
TOLERANCES-		CHECKED: H Spieleder		01-08-99									
SURFACE .XX ±.01		ENGRG:				Ku-BAND 2-PORT Rx/Tx, X-POL							
.XXX ±.002		MFG:											
63 ✓ ANGLES±		EAR CONTROLLED: Export or re-export subject to 15 CFR 700-799.				SIZE		FSCM No.		DWG No.		REV	
MATERIAL AL CASTING		C		50478		1		112080-02		C			
FINISH		SCALE: 1:1		SHEET		1							
M/N													