

SPECIFICATIONS

REVISIONS

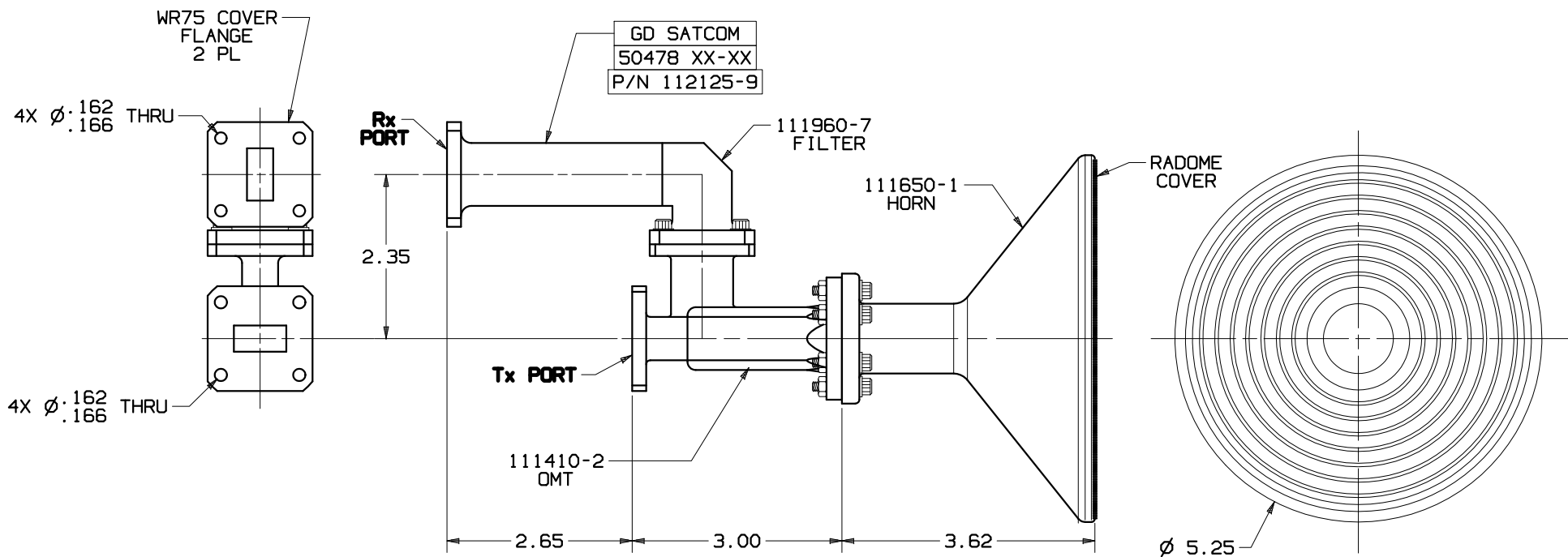
FREQUENCY BAND	Rx: 10.70 - 12.75 GHz Tx: 13.75 - 14.50 GHz
INSERTION LOSS	Rx: 0.35 dB MAX Tx: 0.20 dB MAX
VSWR	Rx: 1.3:1 MAX @ 10.95 - 12.75 GHz 1.6:1 MAX @ 10.70 - 10.95 GHz Tx: 1.3:1 MAX
ISOLATION	TX/RX: 85 dB MIN

PRESSURIZATION : TESTED TO 0.5 PSIG

FINISH INTERIOR
FLANGE FACES: CHROMATE CONVERSION COATED PER MIL-DTL-5541F, TYPE II, CLASS 1A

EXTERIOR: WHITE PAINT, COLOR #17875 PER FED-STD-595

REV	DESCRIPTION	DATE	APPROVED
A	SEE REVISION RECORD	04-03-06	J.K.



UNLESS OTHERWISE SPECIFIED		APPROVALS	DATE	GENERAL DYNAMICS PROPRIETARY	
<small>INTERPRET DIMENSIONING & TOLERANCING PER ANSI Y14.5M-1982. DIMENSIONS ARE IN INCHES. DIMENSIONS SHOWN IN () ARE FOR REFERENCE ONLY. TOLERANCES ARE:</small> SURFACE- TOLERANCES- .XX ±.01 .XXX ±.002 .XXXX ± ANGLES ±0°30'		DRAWN: TOVALIN, L	03-35-04	GENERAL DYNAMICS SATCOM Technologies 3111 Fujita St., Torrance, CA 90505, (310) 539-6704 Ku-BAND 2-PORT Rx/Tx FEED, X-POL, 51°	
		CHECKED: J. Kerpan	04-03-06		
		ENGRG:			
		MFG:			
MATERIAL:		EAR CONTROLLED: Export or re-export subject to 15 CFR 700-799.		SIZE C	FSCM No. 50478
				DWG No. 112125-9	REV A
				SCALE: X:X	SHEET 1

NOTES: UNLESS OTHERWISE SPECIFIED.