

SPECIFICATIONS

FREQUENCY BAND Rx: 10.95 - 12.75 GHz
 TX: 13.75 - 14.50 GHz

INSERTION LOSS RX: 0.35 dB MAX
 TX: 0.20 dB MAX

VSWR Rx: 1.7:1 MAX
 10.95 - 11.1 GHz
 1.5:1 MAX
 11.1 - 12.75 GHz
 Tx: 1.3:1 MAX

ISOLATION TX/RX: 85 dB MIN

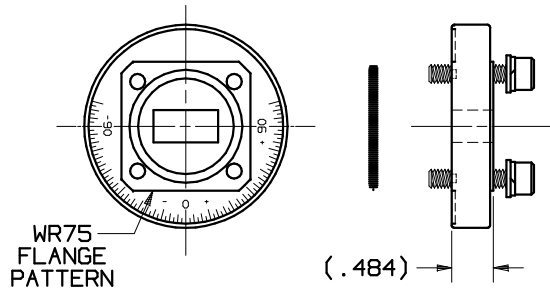
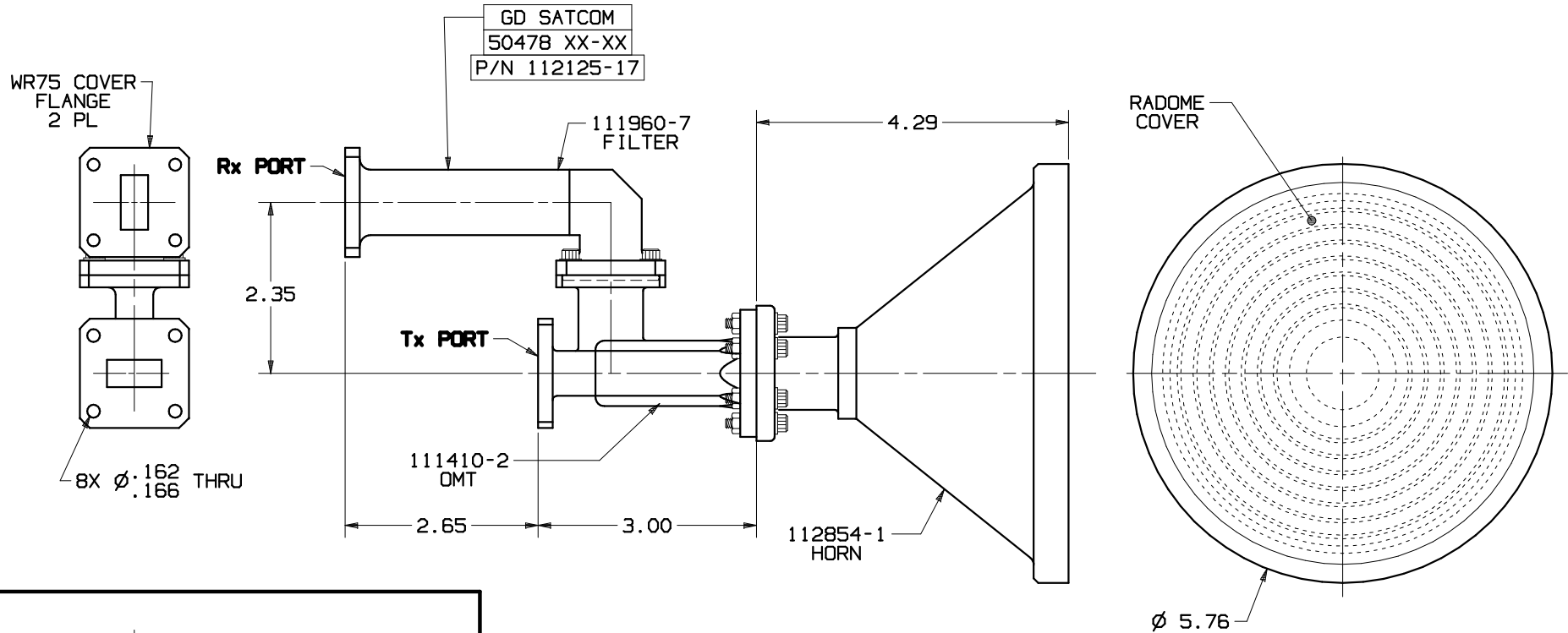
PRESSURIZATION : PRESSURE TESTED TO 0.5 PSIG

FINISH INTERIOR
 AND FLANGE FACES: CHEM FILMED PER MIL-C-5541C,
 CLASS 1A

EXTERIOR: GREEN PAINT, COLOR NO. 34094 PER
 FED-STD-595

REVISIONS

REV	DESCRIPTION	DATE	APPROVED
B	SEE REVISION RECORD	04-07-05	J.K.



ADAPTER KIT P/N 113206-1 (0200-1193)
 SUPPLIED WITH FEED

DO NOT SCALE DRAWINGS		APPROVALS	DATE	GENERAL DYNAMICS PROPRIETARY	
INTERPRET DIMENSIONING & TOLERANCING PER ANSI Y14.5M-1982. DIMENSIONS ARE IN INCHES. DIMENSIONS SHOWN IN () ARE FOR REFERENCE ONLY. TOLERANCES ARE: SURFACE- .XX ±.01 .XXX ±.002 .XXXX ± ANGLES ±0°30' MATERIAL:		DRAWN: TOVALIN, L	03-23-04	GENERAL DYNAMICS SATCOM Technologies 3111 Fujita St., Torrance, CA 90505, (310) 539-6704 Ku-BAND Rx/Tx 2-PORT FEED, X-POL, 39°	
		CHECKED: H.Spieler	03-23-04		
		RF-ENG:			
		MFG-ENG:			
		ENG-MGR:		SIZE FSCM No DWG No C 50478 112125-17	
		EAR CONTROLLED: Export or re-export subject to 15 CFR 700-799.			
				SCALE: 9:10	SHEET 1