



## BT-1139

### Bias Tee BT-1100 Series

DC Connector: 3: SMA (Female) - 50 Ohm

10 MHz Injection: 9: TNC (Female)



### KEY SPECIFICATIONS

Band	L-Band
Pass Band	950 - 2150 MHz

### RF SPECIFICATIONS

10mhz Pass Band	10 - 100 MHz
Input VSWR	2.0 : 1 max.
Insertion Loss Max	1 dB
Output VSWR	2.0 : 1 max.

### INTERFACE SPECIFICATIONS

10mhz Injection	TNC (Female)
DC Connector	SMA (Female) - 50 Ohm
Output Connector	N (Female) - 50 Ohm
RF Input Connector	N (Female) - 50 Ohm

### ENVIRONMENTAL SPECIFICATIONS

IP Rating	IP 66
Temperature Operational	-30°C to +50°C
Temperature Storage	-40 to +70°C

### PHYSICAL SPECIFICATIONS

Product Height	25 mm
Product Length	105 mm
Product Weight	0.17 kg



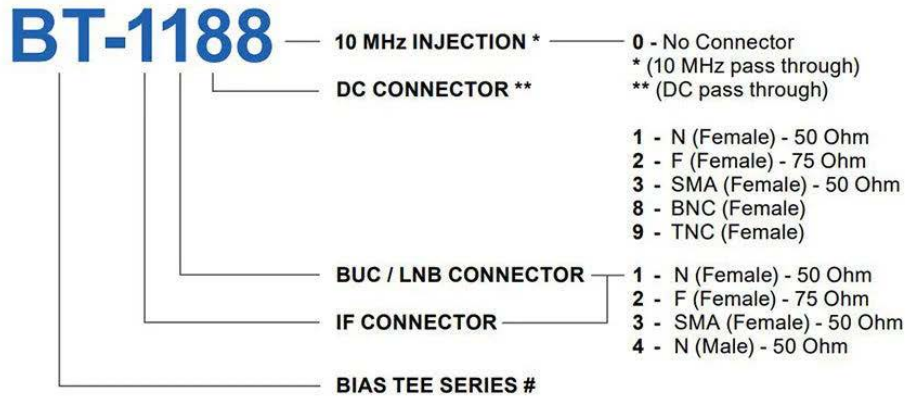
Product Width

55 mm

### LOGISTICS SPECIFICATIONS

HS Code	Country of Origin	Ex Works	ECCN Number	Unit Package
8517690000	Made in Canada	Richmond, BC, Canada	EAR99	105 x 55 x 25 mm

### HOW TO ORDER



### MECHANICAL DIAGRAMS

