



# BT-4320

## Bias Tee BT-4300 Series

DC Connector: 2: F (Female) - 75 Ohm

10 MHz Injection: 0: No Connector



## KEY SPECIFICATIONS

Band	L-Band
Pass Band	950 - 2150 MHz

## RF SPECIFICATIONS

Input VSWR	2.0 : 1 max.
Insertion Loss Max	1 dB
Output VSWR	2.0 : 1 max.

## INTERFACE SPECIFICATIONS

10mhz Injection	No Connector
DC Connector	F (Female) - 75 Ohm
Output Connector	SMA (Female) - 50 Ohm
RF Input Connector	N (Male) - 50 Ohm

## ENVIRONMENTAL SPECIFICATIONS

IP Rating	IP 66
Temperature Operational	-30°C to +50°C
Temperature Storage	-40 to +70°C

## PHYSICAL SPECIFICATIONS

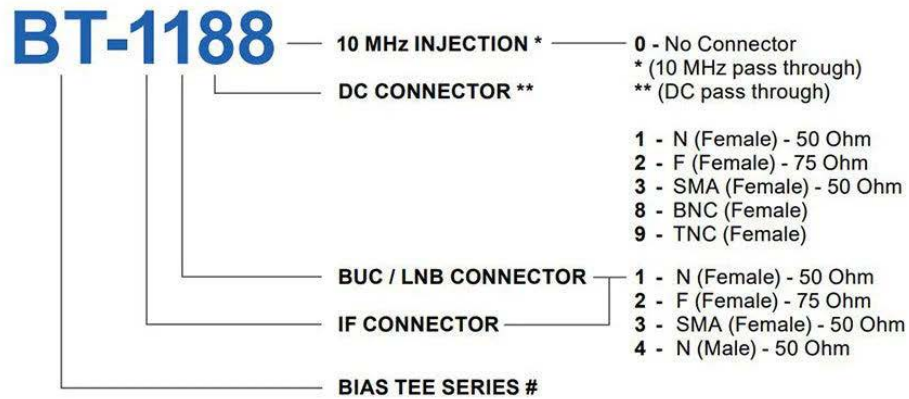
Product Height	25 mm
Product Length	105 mm
Product Weight	0.17 kg
Product Width	55 mm



## LOGISTICS SPECIFICATIONS

HS Code	Country of Origin	Ex Works	ECCN Number	Unit Package
8517690000	Made in Canada	Richmond, BC, Canada	EAR99	105 x 55 x 25 mm

## HOW TO ORDER



## MECHANICAL DIAGRAMS

