



## BT-4201

### Bias Tee BT-4200 Series

DC Connector: 0: No Connector

10 MHz Injection: 1: N (Female) - 50 Ohm



### KEY SPECIFICATIONS

Band	L-Band
Pass Band	950 - 1450 MHz

### RF SPECIFICATIONS

10mhz Pass Band	10 - 100 MHz
Input VSWR	2.0 : 1 max.
Insertion Loss Max	1 dB
Output VSWR	2.0 : 1 max.

### INTERFACE SPECIFICATIONS

10mhz Injection	N (Female) - 50 Ohm
DC Connector	No Connector
Output Connector	F (Female) - 75 Ohm
RF Input Connector	N (Male) - 50 Ohm

### ENVIRONMENTAL SPECIFICATIONS

IP Rating	IP 66
Temperature Operational	-30°C to +50°C
Temperature Storage	-40 to +70°C

### PHYSICAL SPECIFICATIONS

Product Height	25 mm
Product Length	105 mm
Product Weight	0.17 kg



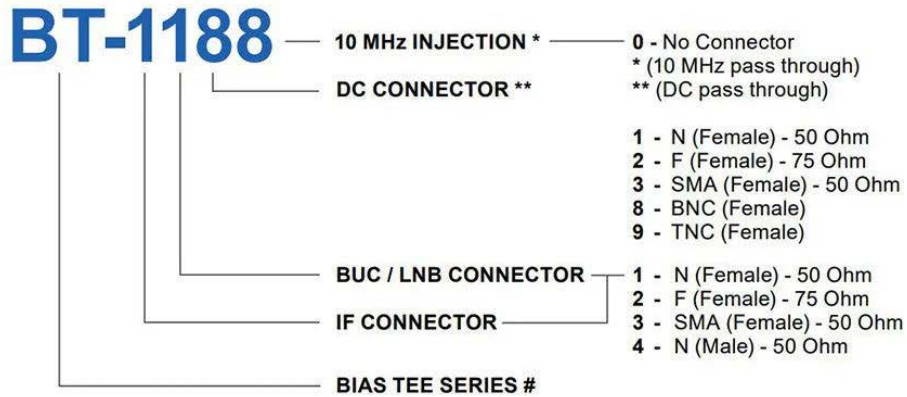
Product Width

55 mm

## LOGISTICS SPECIFICATIONS

HS Code	Country of Origin	Ex Works	ECCN Number	Unit Package
8517690000	Made in Canada	Richmond, BC, Canada	EAR99	105 x 55 x 25 mm

## HOW TO ORDER



## MECHANICAL DIAGRAMS

