



BT-4199

Bias Tee BT-4100 Series

DC Connector: 9: TNC (Female)

10 MHz Injection: 9: TNC (Female)



KEY SPECIFICATIONS

Band	L-Band
Pass Band	950 - 2150 MHz

RF SPECIFICATIONS

10mhz Pass Band	10 - 100 MHz
Input VSWR	2.0 : 1 max.
Insertion Loss Max	1 dB
Output VSWR	2.0 : 1 max.

INTERFACE SPECIFICATIONS

10mhz Injection	TNC (Female)
DC Connector	TNC (Female)
Output Connector	N (Female) - 50 Ohm
RF Input Connector	N (Male) - 50 Ohm

ENVIRONMENTAL SPECIFICATIONS

IP Rating	IP 66
Temperature Operational	-30°C to +50°C
Temperature Storage	-40 to +70°C

PHYSICAL SPECIFICATIONS

Product Height	25 mm
Product Length	105 mm
Product Weight	0.17 kg



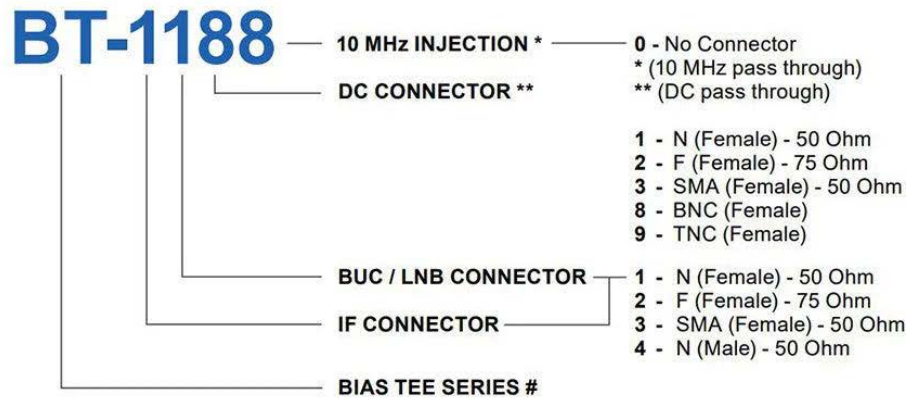
Product Width

55 mm

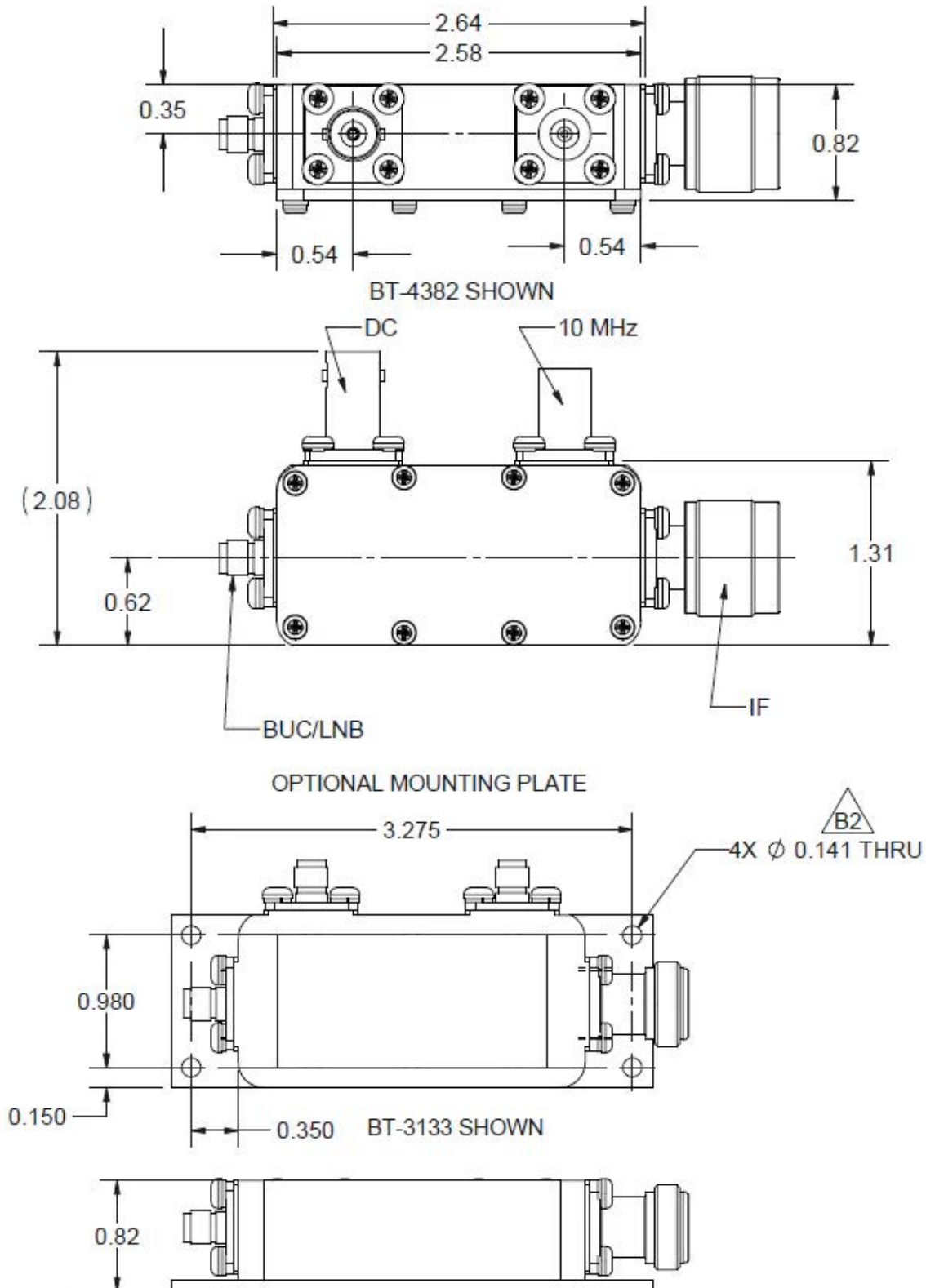
LOGISTICS SPECIFICATIONS

HS Code	Country of Origin	Ex Works	ECCN Number	Unit Package
8517690000	Made in Canada	Richmond, BC, Canada	EAR99	105 x 55 x 25 mm

HOW TO ORDER



MECHANICAL DIAGRAMS



Norsat authorized distributor

ESATCOM INC.

3628 Francis Lewis Blvd.

Flushing, NY 11358

www.esatcom.com

Tel: 718.799.0084

Email: sales@esatcom.com