

SPECIFICATIONS

FREQUENCY BAND
 RX: 10.70- 12.75 GHz
 TX: 17.30- 18.40 GHz

INSERTION LOSS
 RX: 0.50 dB MAX
 TX: 0.25 dB MAX

VSWR
 RX: 1.30:1 MAX
 TX: 1.30:1 MAX

ISOLATION
 TX/RX: 85 dB MIN
 RX/TX: 85 dB MIN
 TX/TX: 20 dB MIN
 RX/RX: 20 dB MIN

AXIAL RATIO : 0.5 dB MAX
POWER HANDLING: 3.0 KW CW
 (1.5 KW PER TX PORT)

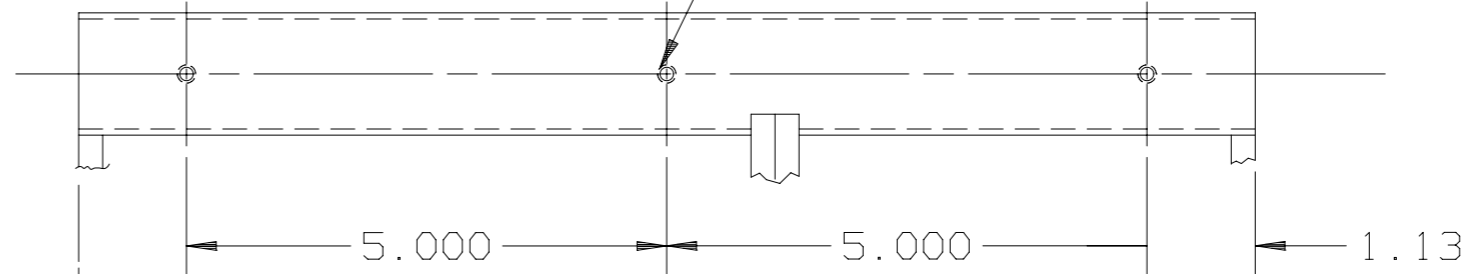
APPROX HEAT DISSIPATION
 AT 3.0 KW: 168 W

PRESSURIZATION: SEALED TO 5.0 PSIG

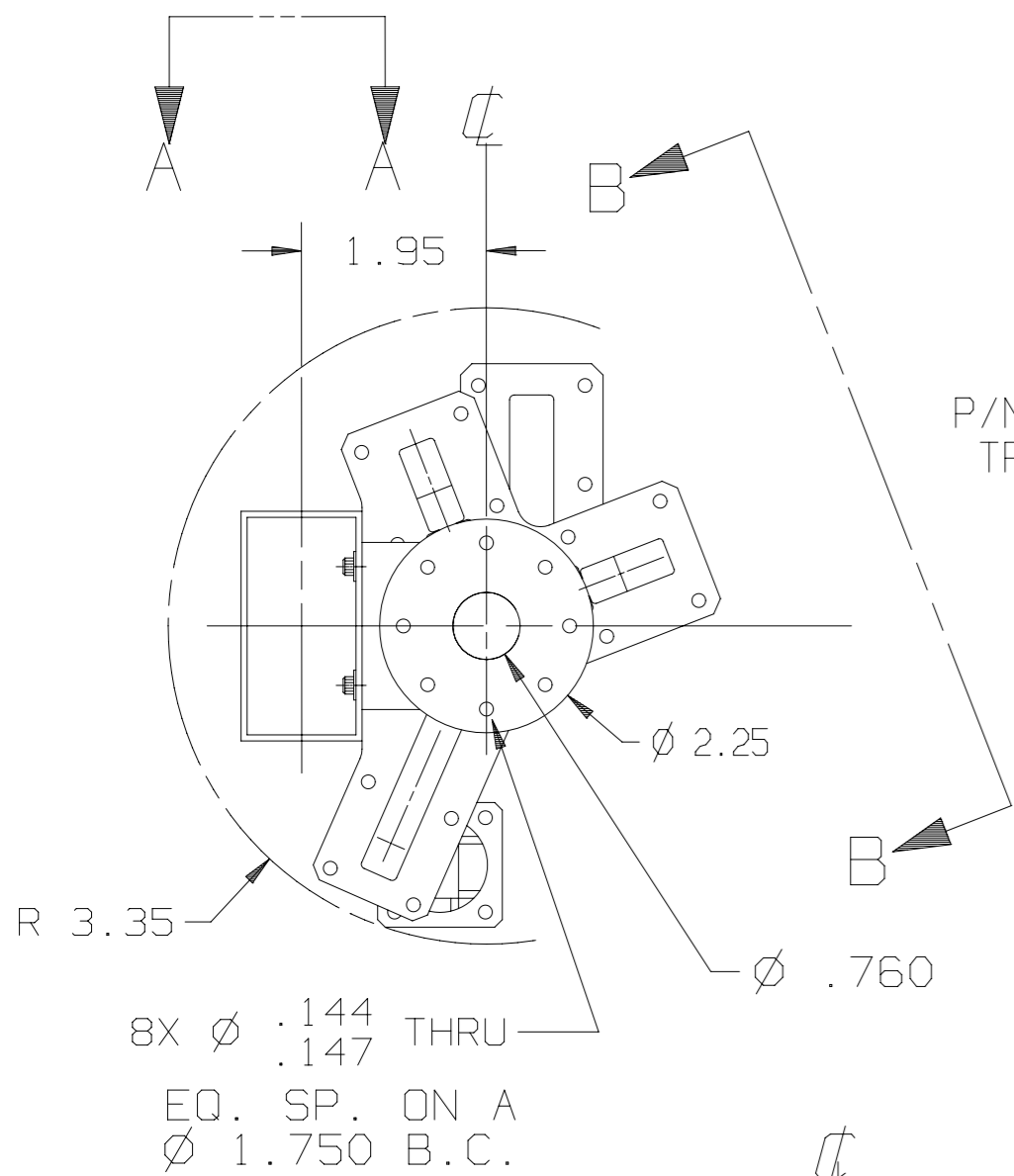
FINISH
 FLANGE FACES: ZI-NI PLATED PER
 AMS-2417G TYPE II
 CLASS 2.
 EXTERIOR: WHITE PAINT, COLOR NO
 17875 PER FED-STD-595

REVISIONS			
REV	DESCRIPTION	DATE	APPROVED
-	INITIAL RELEASE	05-26-09	

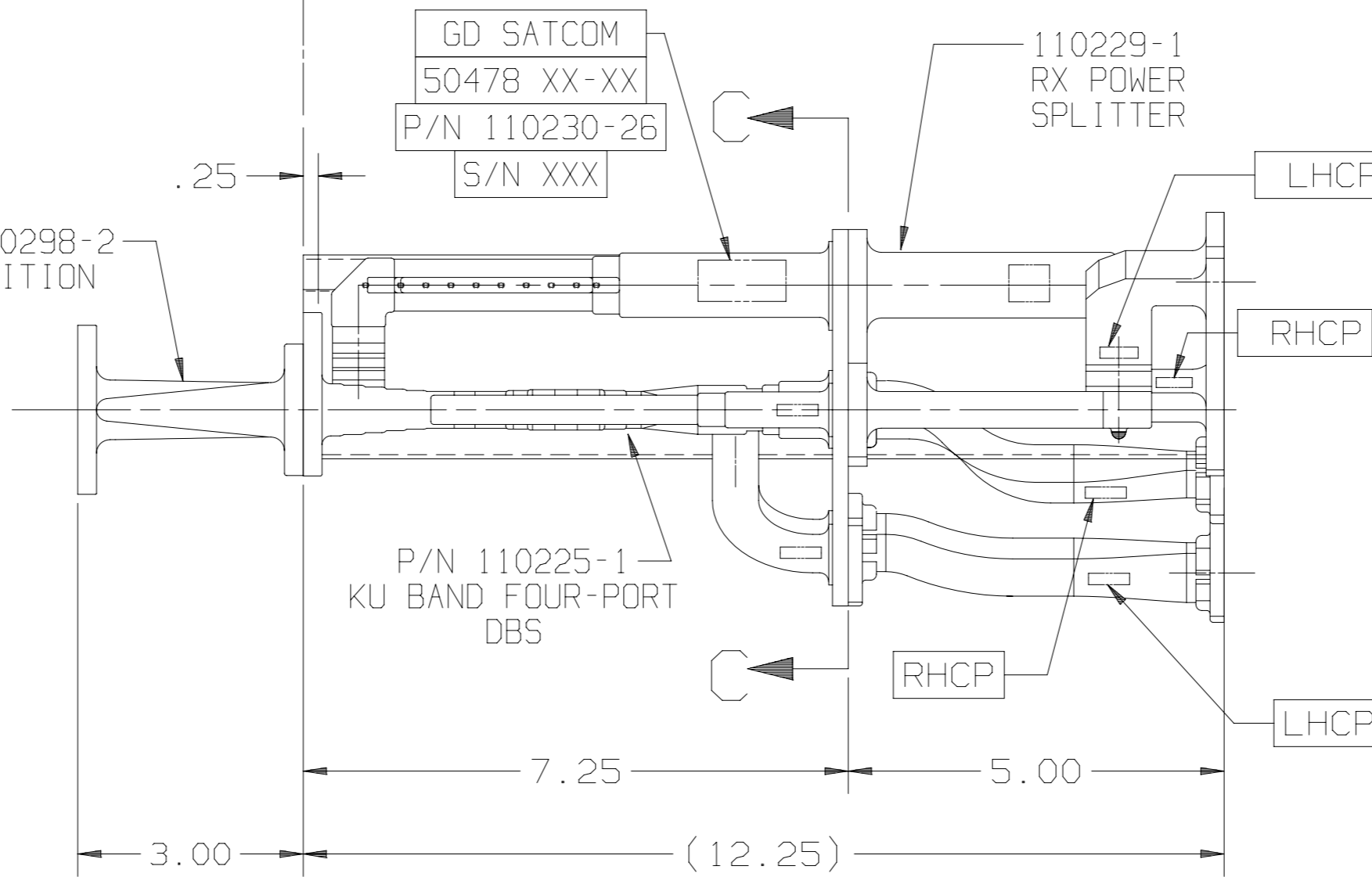
INSTALLATION/ATTACHMENT HOLES
 RIVET NUTS (NON-LOCKING)
 3 PL NEAR AND FAR SIDE
 .190-32 UNC-2B X .25 DP



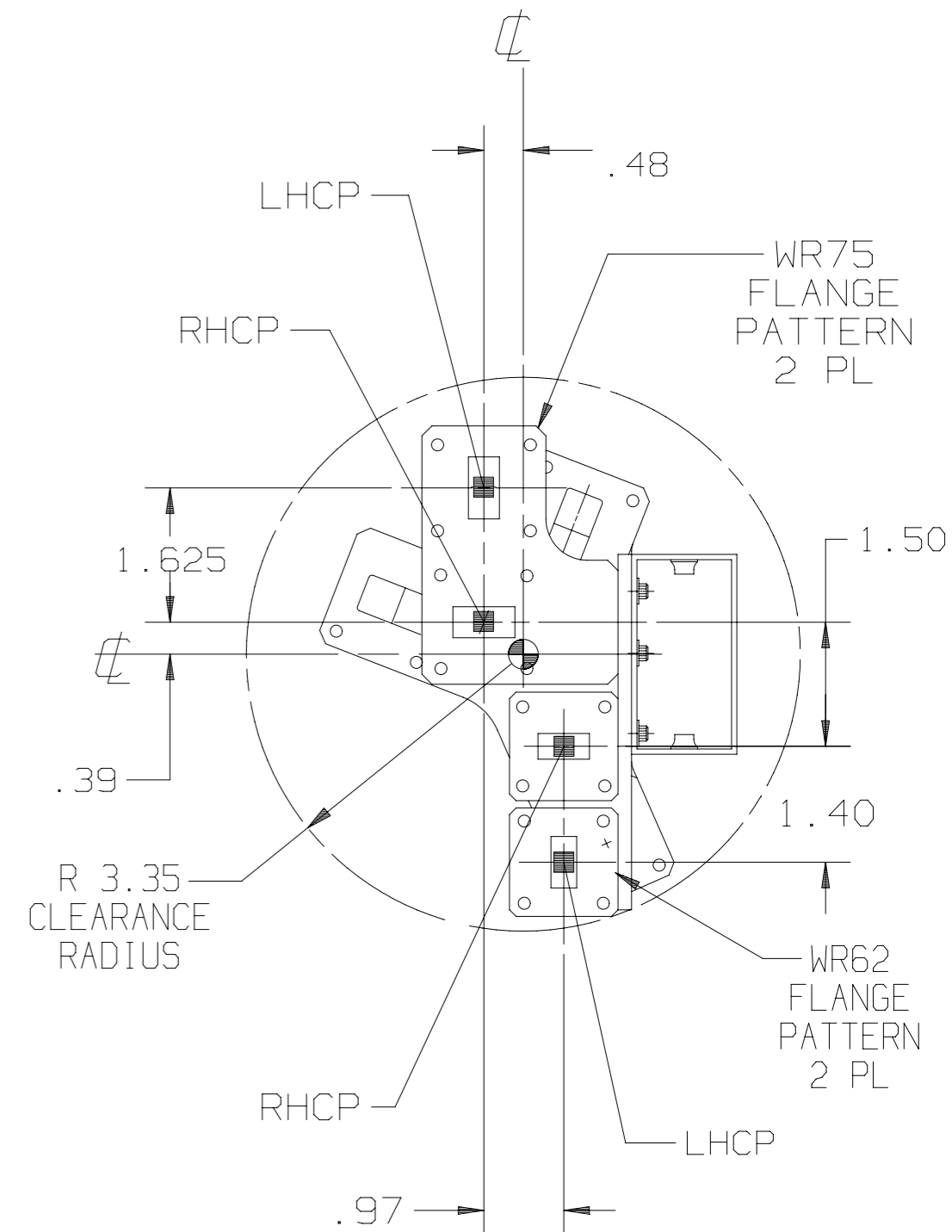
VIEW A-A



P/N 110298-2
 TRANSITION

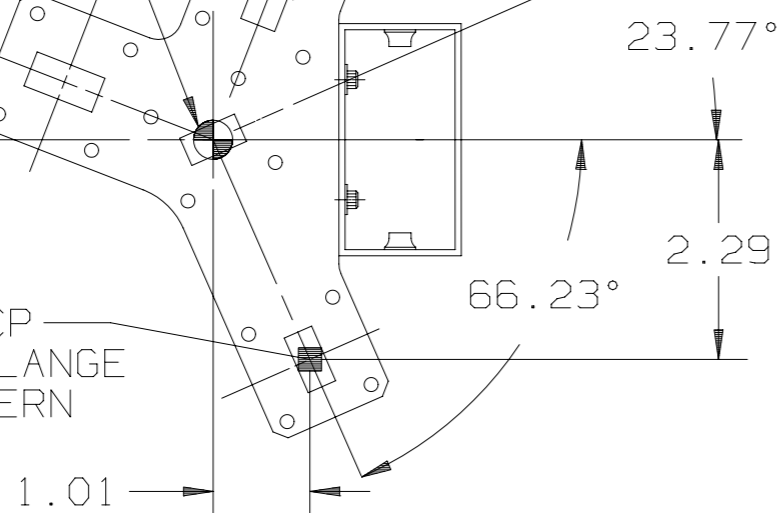


VIEW B-B



RHCP
 WR62 FLANGE
 PATTERN

LHCP
 WR62 FLANGE
 PATTERN



SECTION C-C

UNLESS OTHERWISE SPECIFIED	SIGNATURES	DATE
DIMENSIONS ARE IN INCHES	DRAWN: L. TOVALIN	04-21-99
TOLERANCES-	CHECKED: H. Spieleder	04-21-99
SURFACE .XX ±.01	RF ENGR:	
32 .XXX ±.003	ENGRG:	
.XXXX ±.	MFGRG:	
✓ ANGLES ± 0° 30'		
MATERIAL	EAR CONTROLLED:	
FINISH	Export or re-export subject to 15 CFR 700-799.	

GENERAL DYNAMICS PROPRIETARY			
GENERAL DYNAMICS			
SATCOM Technologies			
3111 Fujita St., Torrance, CA 90505, (310) 539-6704			
Ku-BAND 4-PORT			
CIRCULAR POLARIZED			
SIZE	FSCM No.	DWG No.	REV
C	50478	110230-26	-
SCALE: 1:2	SHEET		1