

# SPECIFICATIONS

## REVISIONS

### FREQUENCY RANGE

Tx: 17.3 - 18.4 GHz  
Rx: 10.7 - 12.75GHz

### INSERTION LOSS

Tx: 0.25 dB MAX  
Rx: 0.25 dB MAX

### ISOLATION

Rx/Rx: 35 dB MIN  
Tx/Tx: 35 dB MIN  
Tx/Rx: 85 dB MIN  
Rx/Tx: 85 dB MIN

### VSWR

Tx: 1.25:1 MAX  
Rx: 1.25:1 MAX

### CROSS POL

: 35 dB MIN

### POWER HANDLING:

5.0 kW (2.5 kW PER Tx PORT)  
WITH ADEQUATE HEAT DISSIPATION

### APPROX HEAT DISSIPATION

: 224 W (BASED ON 0.25 dB LOSS)

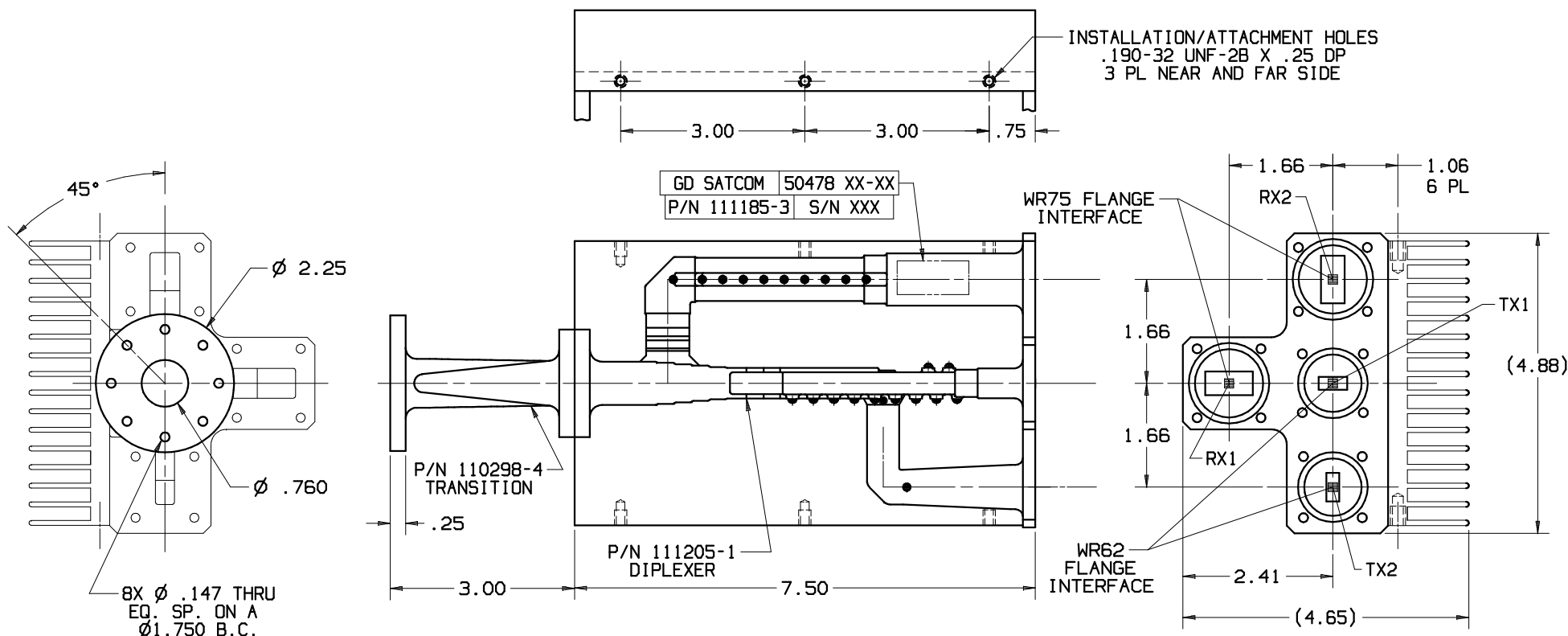
TOTAL HEAT DISSIPATION AREA: 308 IN<sup>2</sup>

MAX OPERATING TEMPERATURE : 115°C

### FINISH

COMMON PORT FLANGE: ZINC-NICKEL PLATED PER AMS 2417G, TYPE II, CLASS 2  
Rx AND Tx PORT FLANGES: COPPER ALLOY  
EXTERIOR: BLACK PAINT, COLOR NO. 37038 PER FED-STD-595

REV	DESCRIPTION	DATE	APPROVED
C	SEE ECN #2247	04-15-09	H.S.



NOTES: UNLESS OTHERWISE SPECIFIED.

UNLESS OTHERWISE SPECIFIED	APPROVALS	DATE	GENERAL DYNAMICS PROPRIETARY				
INTERPRET DIMENSIONING & TOLERANCING PER ANSI Y14.5M-1982. DIMENSIONS ARE IN INCHES. DIMENSIONS SHOWN IN ( ) ARE FOR REFERENCE ONLY. TOLERANCES ARE:  SURFACE - TOLERANCES - .XX ± .02 .XXX ± .002 .XXXX ± ANGLES ±0°30'  MATERIAL:	DRAWN: L. TOVALIN CHECKED: H. Spieleder ENGR: MFG: QA:	10-07-98 10-21-98   	<b>GENERAL DYNAMICS SATCOM Technologies</b> 3111 Fujita St., Torrance, CA 90505, (310) 539-6704  <b>Ku-BAND 4-PORT DIPLEXER LINEAR POLARIZED</b>				
	<b>EAR CONTROLLED:</b> Export or re-export subject to 15 CFR 700-799.						
	SIZE: FSCM No. DWG No.					<b>111185-3</b>	REV <b>C</b>
	SCALE: 4:5					SHEET 1	