

SPECIFICATIONS

FREQUENCY BAND Rx: 10.70 - 12.75 GHz
Tx: 13.75 - 14.80 GHz

INSERTION LOSS Rx: 0.50 dB
Tx: 0.35 dB

VSWR Rx: 1.25:1 MAX
Tx: 1.25:1 MAX

ISOLATION Tx/Rx: 85 dB MIN.
Rx/Tx: 70 dB MIN.
Rx/Rx: 35 dB MIN.
Tx/Tx: 35 dB MIN.

CROSSPOL : 35 dB MIN.

POWER HANDLING: 2 kW CW
(1 kW PER Tx PORT)

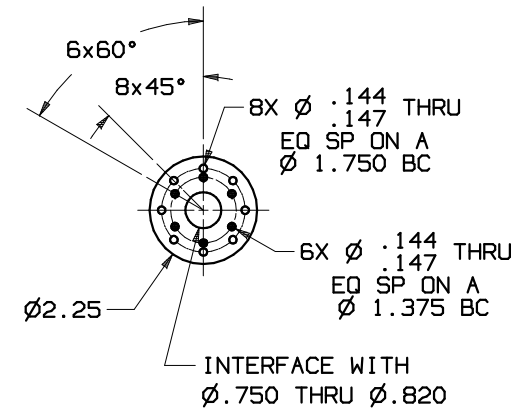
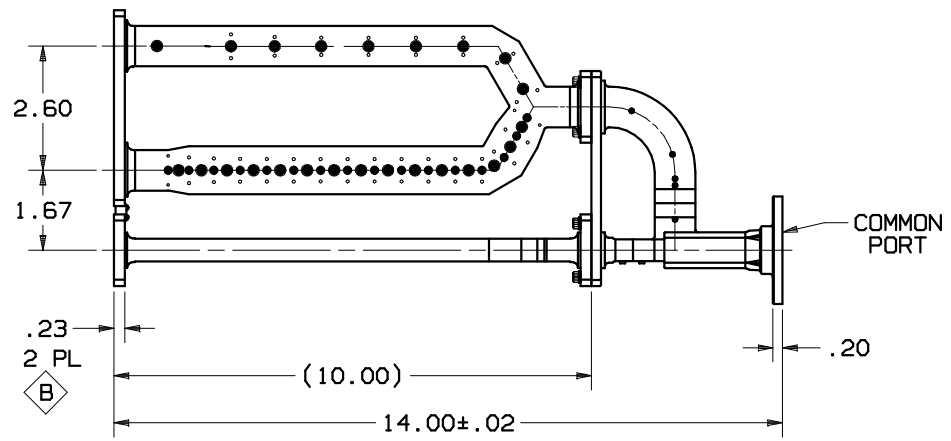
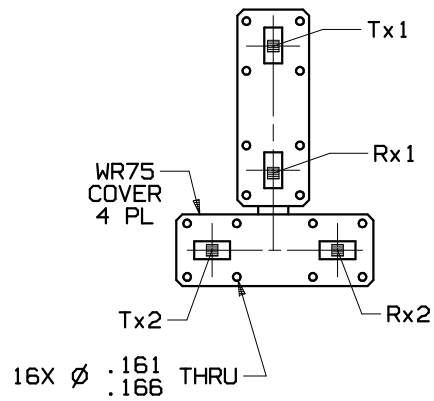
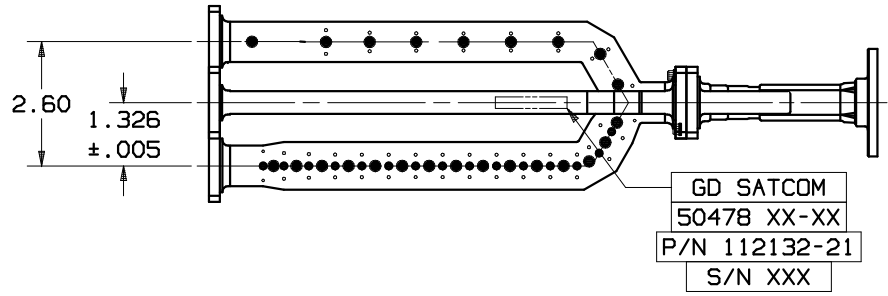
PRESSURIZATION: SEALED TO 5 PSIG.

FINISH

FLANGE FACES: CHROMATE CONVERSION COATED
EXTERIOR: WHITE PAINT, COLOR No 17875
PER FED-STD-595

REVISIONS			
REV	DESCRIPTION	DATE	APPROVED
A	REVISED PER EC 12545	07JUL13	J.Quicho
B	SEE CN No 13334	2015-3-25	J.Mitchell

B



<p>UNLESS OTHERWISE SPECIFIED</p> <p>INTERPRET DIMENSIONING & TOLERANCING PER ANSI Y14.5M-1982. DIMENSIONS ARE IN INCHES. DIMENSIONS SHOWN IN () ARE FOR REFERENCE ONLY. TOLERANCES ARE:</p> <table style="font-size: small;"> <tr> <td>SURFACE-</td> <td>TOLERANCES-</td> </tr> <tr> <td>.XX</td> <td>±.01</td> </tr> <tr> <td>.XXX</td> <td>±.002</td> </tr> <tr> <td>.XXXX</td> <td>±.0010</td> </tr> <tr> <td></td> <td>ANGLES ±0°30'</td> </tr> </table> <p>MATERIAL:</p>	SURFACE-	TOLERANCES-	.XX	±.01	.XXX	±.002	.XXXX	±.0010		ANGLES ±0°30'	APPROVALS	DATE	GENERAL DYNAMICS PROPRIETARY	
	SURFACE-	TOLERANCES-												
	.XX	±.01												
	.XXX	±.002												
.XXXX	±.0010													
	ANGLES ±0°30'													
	DRAWN: H. Lim	08-11-10	GENERAL DYNAMICS											
	CHECKED: H. Spieleder	08-11-10	SATCOM Technologies											
	RF ENGR:		3111 Fujita St., Torrance, CA 90505, (310) 539-6704											
	ENGRG:		4-PORT, Ku-BAND DIPLEXER											
	MFGG:		Export or re-export subject to 15 CFR 700-799.											
	EAR CONTROLLED:		SIZE	FSCM No.	DWG No.									
			C	50478	112132-21									
			SCALE: 1:2		REV B									
					SHEET 1									

NOTES: UNLESS OTHERWISE SPECIFIED.