

SPECIFICATIONS

FREQUENCY BAND RX: 10.70 - 12.20 GHz
 TX: 12.75 - 14.50 GHz

INSERTION LOSS RX: 0.50 dB
 TX: 0.35 dB

VSWR RX: 1.25:1 MAX
 TX: 1.25:1 MAX

ISOLATION TX/RX: 85 dB MIN.
 RX/TX: 50 dB MIN.
 RX/RX: 35 dB MIN.
 TX/TX: 35 dB MIN.

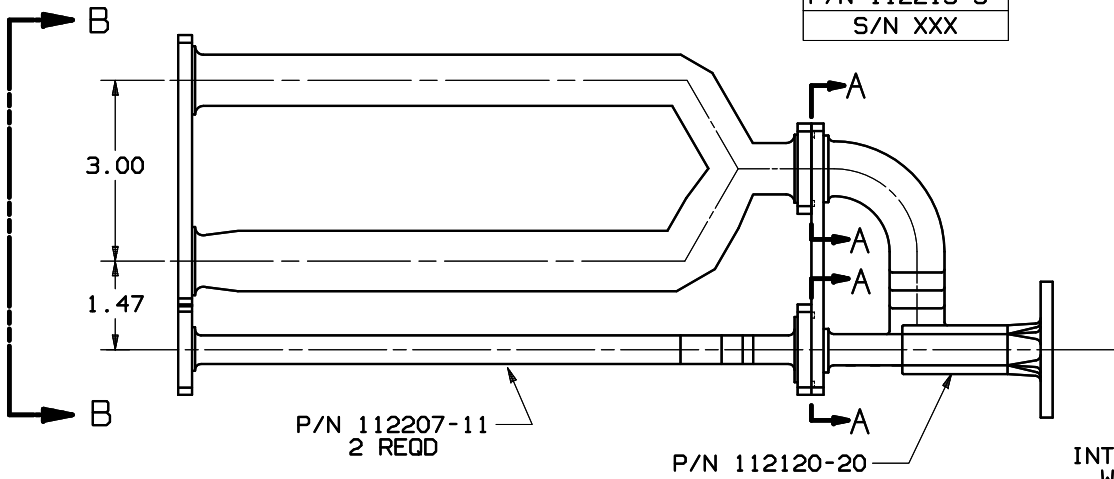
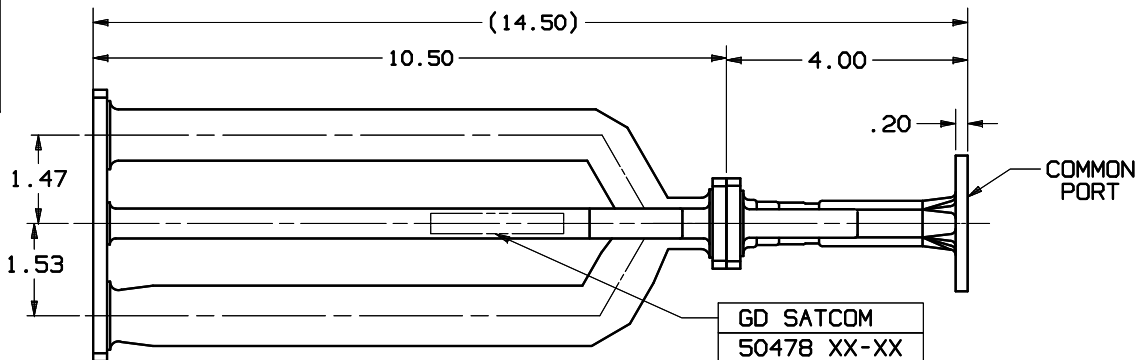
CROSSPOL : 35 dB MIN.

POWER HANDLING : 2 KW CW (1 KW PER TX PORT)

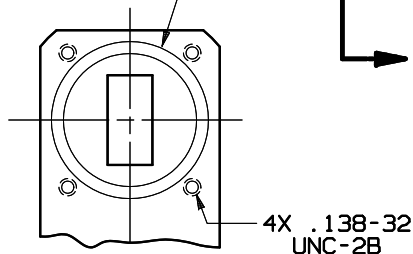
PRESSURIZATION : SEALED TO 5 PSIG.

FINISH
 FLANGE FACES : CHROMATE CONVERSION COATED
 EXTERIOR : WHITE PAINT, COLOR No.17875
 PER FED-STD-595

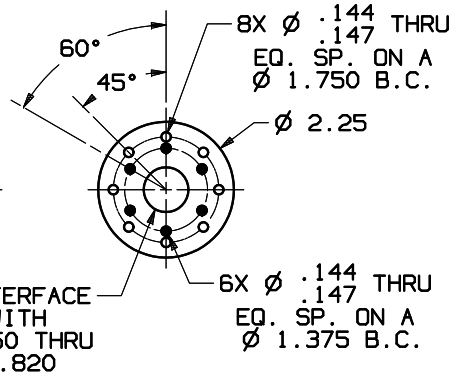
REVISIONS			
REV	DESCRIPTION	DATE	APPROVED
C	SEE ECN NO. 3308	01-28-11	



O-RING GROOVE
 Ø 1.31 O.D. X
 Ø 1.11 I.D. X
 .050 DP.



VIEW A - A
 (TYPICAL 2 PL)



VIEW B-B PER SHEET 2
 NOTES: UNLESS OTHERWISE SPECIFIED.

UNLESS OTHERWISE SPECIFIED	SIGNATURES	DATE
DIMENSIONS ARE IN INCHES	DRAWN: L. TOVALIN	01-08-02
TOLERANCES-	CHECKED:	01-08-02
SURFACE .XX ±.01	ENGRG:	
.XXX ±.002	ENGRG:	
.XXXX ±.0010		
✓ 32 ANGLES ±0°30'		
MATERIAL:	EAR CONTROLLED:	
NEXT ASSY:	Export or re-export subject to 15 CFR 700-799.	

GENERAL DYNAMICS PROPRIETARY

GENERAL DYNAMICS
 SATCOM Technologies
 3111 Fujita St., Torrance, CA 90505, (310) 539-6704

KU-BAND
4-PORT DIPLEXER

SIZE	FSCM No.	DWG No.	REV
C	50478	112215-5	C
SCALE: X:X			SHEET 1