

SPECIFICATIONS

FREQUENCY BAND Rx: 10.70 - 12.50 GHz
Tx: 12.75 - 14.80 GHz

INSERTION LOSS Rx: 0.80 dB MAX
: 0.35 dB TYP
Tx: 0.70 dB MAX
: 0.40 dB TYP C

VSWR Rx: 1.30:1 MAX D
Tx: 1.30:1 MAX

ISOLATION Tx/Rx: 115 dB MIN
Rx/Tx: 70 dB MIN
Tx/Tx: 35 dB MIN
Rx/Rx: 35 dB MIN

CROSS-POL : 35 dB MIN

POWER HANDLING : 12.0 kW CW (6.0 kW PER Tx PORT)

APPROXIMATE HEAT DISSIPATION @ 12 kW : 800 W

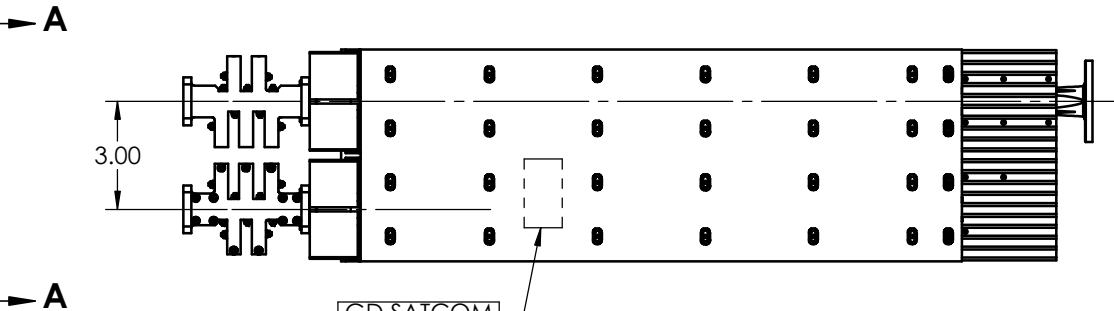
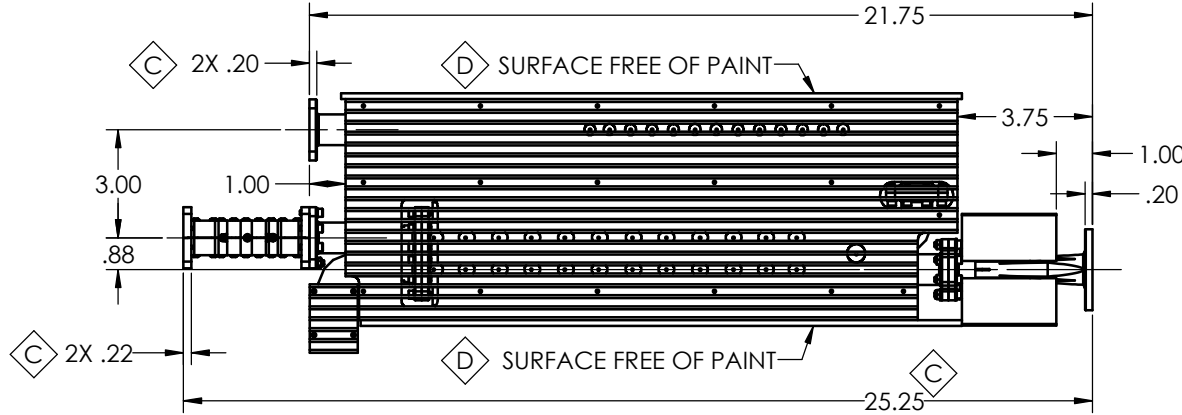
TOTAL HEAT DISSIPATION AREA : 5079 IN²

MAX OPERATING TEMP : 115°C

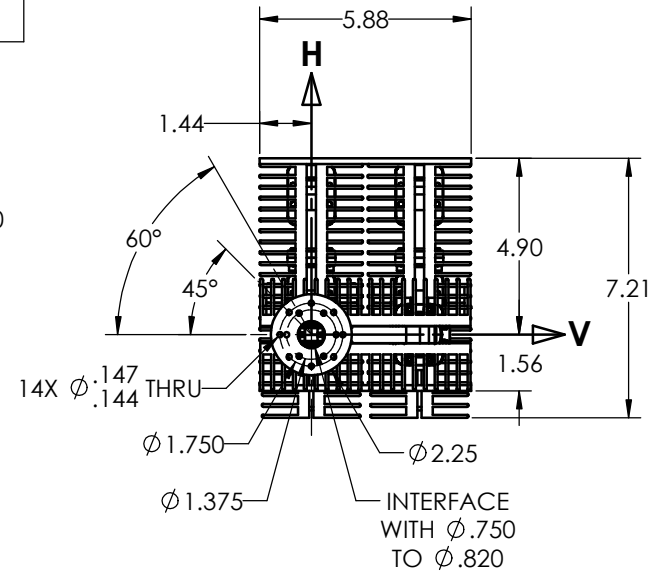
PRESSURIZATION : SEALED TO 5.0 PSIG

FINISH COMMON PORT AND Tx PORTS : ZINC-NICKEL PLATED PER AMS 2417G D
TYPE II, CLASS 2 D
Rx PORTS : CHROMATE CONVERSION COATED D
EXTERIOR : BLACK PAINT, COLOR N_o 37038 PER FED-STD-595

REVISIONS				
ZONE	REV.	DESCRIPTION	DATE	APPROVED
	B	SEE DR № 10446	5/20/2011	
C	C	SEE EC № 13054	5/01/2014	
D	D	SEE EC № 13104	6/10/2014	



GD SATCOM
50478 XX-XX
P/N 112314-6
X/N XXX



UNLESS OTHERWISE SPECIFIED
INTERPRET DIMENSIONING & TOLERANCING PER ANSI Y14.5M-1992. DIMENSIONS ARE IN INCHES. DIMENSIONS SHOWN IN () ARE FOR REFERENCE ONLY. TOLERANCES ARE:
SURFACE- TOLERANCES-
32 ✓ .XX ±.03
.XXX ±.003
.XXXX ±.001
ANGLES ±0°30'

APPROVALS		DATE
DRAWN: H. Lim		01-18-11
CHECKED:		
ENG-MGR: J. Kerpan		01-31-11
MFG-ENG: J. Quicho		01-24-11
QA:		
EAR CONTROLLED:		
Export or re-export subject to 15 CFR 700 - 799		

GENERAL DYNAMICS PROPRIETARY			
GENERAL DYNAMICS			
SATCOM Technologies			
3111 Fujita Street, Torrance CA 90505, (310) 539-6704			
Ku-BAND 4-PORT EXTENDED BAND, EHP			
SIZE	FSCM №	DWG №	REV
C	50478	112314-6	D
SCALE: 3:8		SHEET 1	

NOTES: UNLESS OTHERWISE SPECIFIED.