

SPECIFICATIONS

FREQUENCY BAND RX: 10.70 - 12.75 GHz
TX: 14.50 - 14.70 GHz

INSERTION LOSS RX: 0.50 dB
TX: 0.35 dB

VSWR RX: 1.25:1 MAX
TX: 1.25:1 MAX

ISOLATION TX/RX: 85 dB MIN.
RX/TX: 70 dB MIN.
RX/RX: 20 dB MIN.
TX/TX: 20 dB MIN.

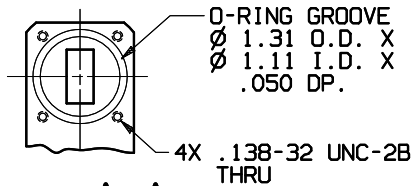
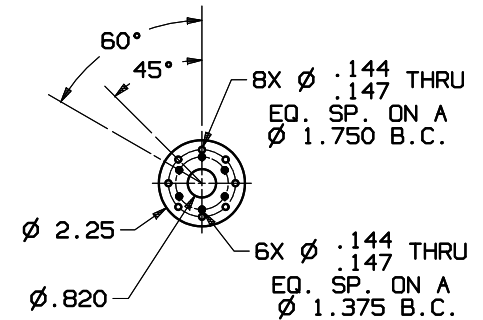
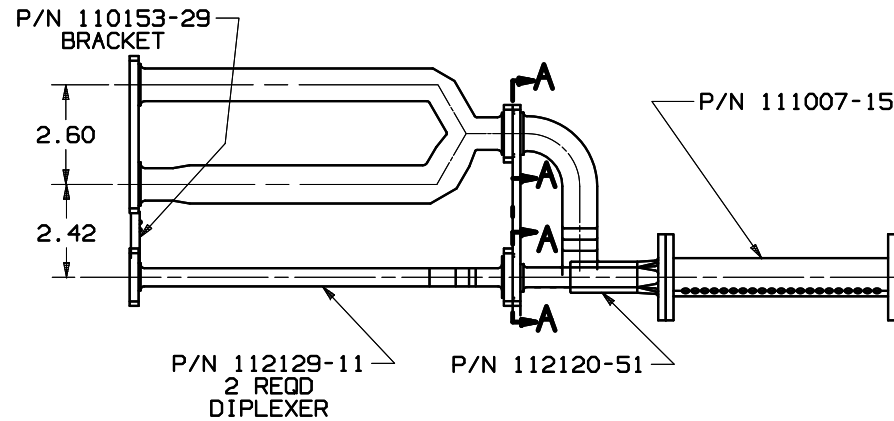
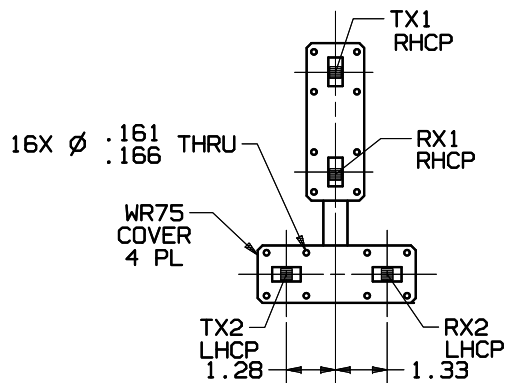
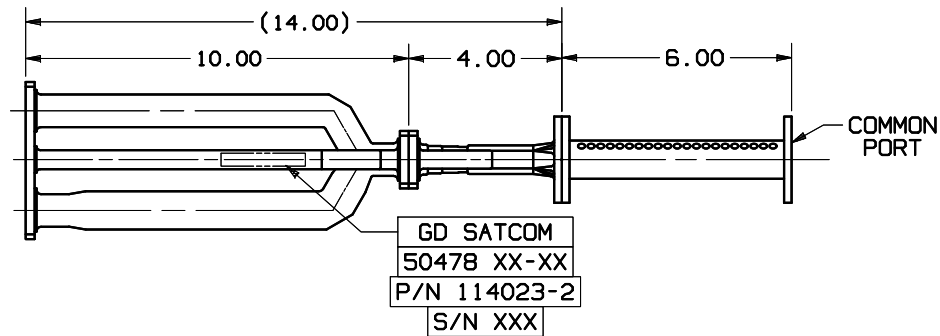
AXIAL RATIO : 1.00 dB MAX

POWER HANDLING : 2 KW CW (1 KW PER TX PORT)

PRESSURIZATION : SEALED TO 5 PSIG.

FINISH
FLANGE FACES: CHROMATE CONVERSION COATED
EXTERIOR: WHITE PAINT
COLOR NO. 17875 PER FED-STD-595

REVISIONS			
REV	DESCRIPTION	DATE	APPROVED
-	INITIAL RELEASE	06-19-08	



VIEW A-A
(TYPICAL 2 PL)

NOTES: UNLESS OTHERWISE SPECIFIED.

UNLESS OTHERWISE SPECIFIED		SIGNATURES	DATE	GENERAL DYNAMICS PROPRIETARY	
DIMENSIONS ARE IN INCHES		DRAWN: C.G. ORTEGA	02-13-08	GENERAL DYNAMICS SATCOM Technologies 3111 Fujita St., Torrance, CA 90505, (310) 539-6704	
TOLERANCES-		CHECKED:			
SURFACE		RF ENGR:			
.XX ±.01 .XXX ±.002 .XXXX ±.0010 ✓ 32 ANGLES ±0°30'		ENGR:			
MATERIAL:		MFG:		Ku-BAND 4-PORT DIPLEXER CP	
NEXT ASSY:		EAR CONTROLLED: Export or re-export subject to 15 CFR 700-799.			
		SIZE	FSCM No.	DWG No.	REV
		C	50478	114023-2	-
		SCALE: 1:2	SHEET		1