

SPECIFICATIONS

FREQUENCY BAND Rx: 10.70 - 12.75 GHz
Tx: 13.75 - 14.50 GHz

INSERTION LOSS Rx: 0.40 dB MAX
Tx: 0.30 dB MAX

VSWR Rx: 1.25:1 MAX
Tx: 1.25:1 MAX

ISOLATION Tx/Rx: 85 dB MIN
Rx/Tx: 50 dB MIN
Rx/Rx: 20 dB MIN
Tx/Tx: 20 dB MIN

AXIAL RATIO : 0.5 dB MAX

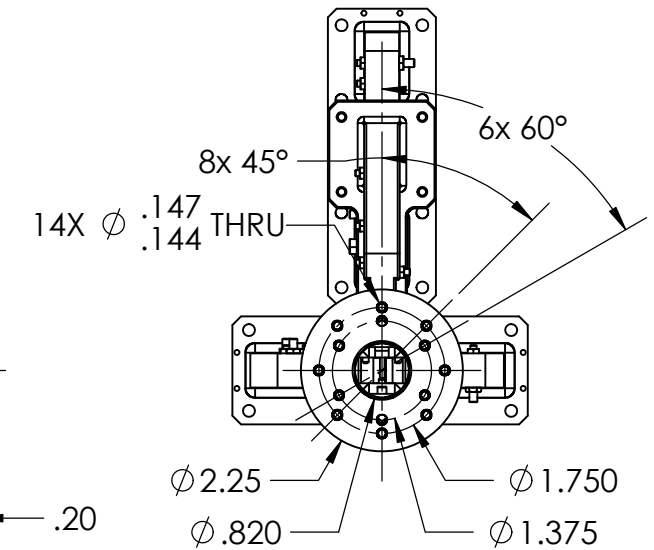
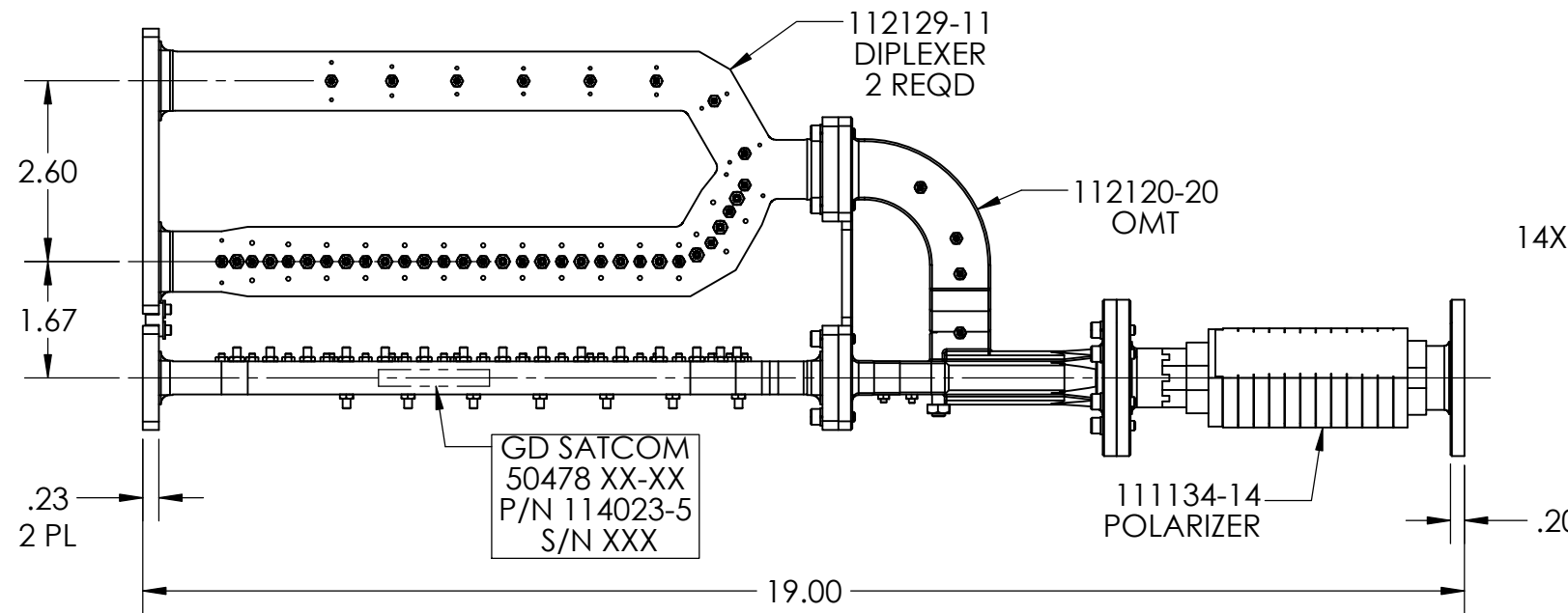
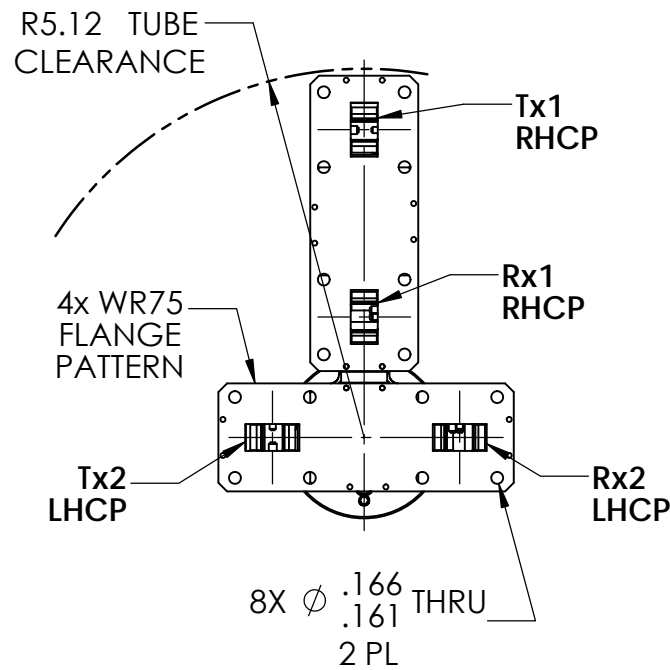
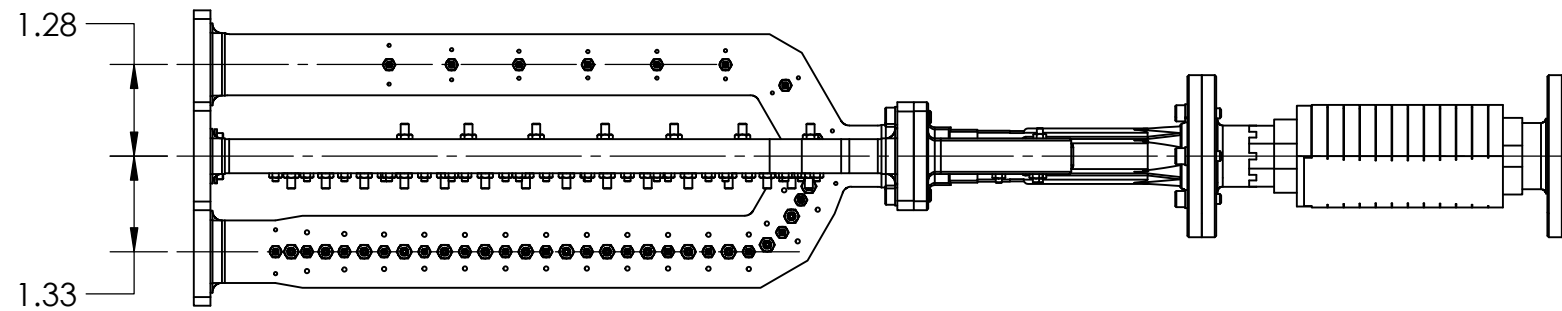
PWR HANDLING : 2.0 kW CW (1.0 kW PER Tx PORT)
AT UNIT MAX TEMP 90° C

PRESSURIZATION : SEALED TO 5.0 PSIG

FINISH :
Rx/Tx PORT : COPPER ALLOY
COMMON PORT : ZINC-NICKEL PLATED
: (PER AMS 2417G, TYPE II, CLASS 2)
EXTERIOR : WHITE PAINT, COLOR N_o 17875
PER FED-STD-595

REVISIONS

ZONE	REV.	DESCRIPTION	DATE	APPROVED
	A	INITIAL RELEASE	1/30/2014	



NOTES: UNLESS OTHERWISE SPECIFIED.

DO NOT SCALE DRAWINGS		APPROVALS		DATE		GENERAL DYNAMICS PROPRIETARY									
<small>UNLESS OTHERWISE SPECIFIED, INTERPRET DIMENSIONING & TOLERANCING PER ANSI/ASME Y14.5M-2009. DIMENSIONS ARE IN INCHES, DIMENSIONS SHOWN IN () ARE FOR REFERENCE ONLY.</small> TOLERANCES: TWO PLACE DECIMAL ± .01 THREE PLACE DECIMAL ± .002 FOUR PLACE DECIMAL ± .0010 ANGLES ± 0°30'		DRAWN: A. Mora		01-08-10		GENERAL DYNAMICS									
		CHECKED: H. Spieleder		01-08-10						SATCOM Technologies 3111 Fujita Street, Torrance CA 90505, (310) 539-6704					
		RF DESIGN:				TITLE: 4-PORT DIPLEXER, Ku-BAND CP									
		MFG:												SIZE	
		QA:								B		50478		114023-5	
ENG MGR:				MATERIAL		SCALE:		WEIGHT: 3.917 LB		SHEET 1 of 2					
PROJECT:						3:8				REV					
THIRD ANGLE PROJECTION		EAR CONTROLLED								A					
		Export or re-export subject to 15 CFR 700 - 799													