



BT-2410

Bias Tee BT-2400 Series

DC Connector: 1: N (Female) - 50 Ohm

10 MHz Injection: 0: No Connector



KEY SPECIFICATIONS

Band	L-Band
Pass Band	950 - 1450 MHz

RF SPECIFICATIONS

Input VSWR	2.0 : 1 max.
Insertion Loss Max	7 dB
Output VSWR	2.0 : 1 max.

INTERFACE SPECIFICATIONS

10mhz Injection	No Connector
DC Connector	N (Female) - 50 Ohm
Output Connector	N (Male) - 50 Ohm
RF Input Connector	F (Female) - 75 Ohm

ENVIRONMENTAL SPECIFICATIONS

IP Rating	IP 66
Temperature Operational	-30°C to +50°C
Temperature Storage	-40 to +70°C

PHYSICAL SPECIFICATIONS

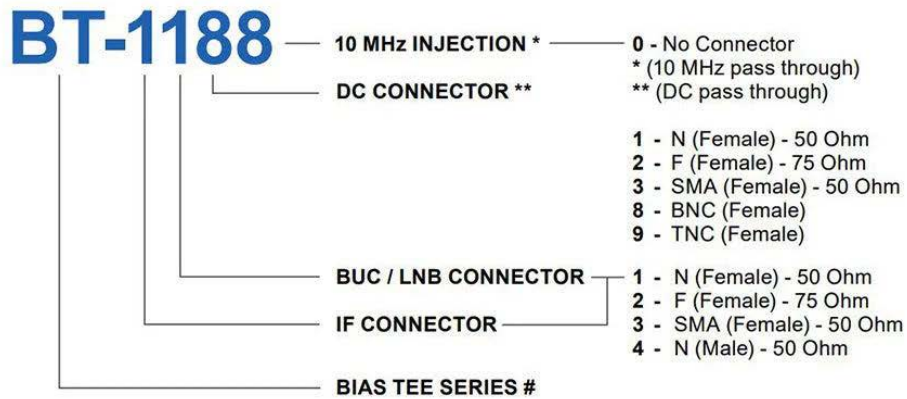
Product Height	25 mm
Product Length	105 mm
Product Weight	0.17 kg
Product Width	55 mm



LOGISTICS SPECIFICATIONS

HS Code	Country of Origin	Ex Works	ECCN Number	Unit Package
8517690000	Made in Canada	Richmond, BC, Canada	EAR99	105 x 55 x 25 mm

HOW TO ORDER



MECHANICAL DIAGRAMS

