

SPECIFICATIONS

FREQUENCY BAND Rx: 10.70 - 12.75 GHz
Tx: 13.75 - 14.80 GHz

INSERTION LOSS Rx: 0.35 dB
Tx: 0.30 dB

VSWR Rx: 1.25:1 MAX
Tx: 1.25:1 MAX

ISOLATION Tx/Rx: 85 dB MIN.
Rx/Tx: 50 dB MIN.
Rx/Rx: 25 dB MIN.
Tx/Tx: 25 dB MIN.

AXIAL RATIO Rx: 0.75 dB MAX
Tx: 0.75 dB MAX

POWER HANDLING: 2 kW CW (1 kW PER Tx PORT)

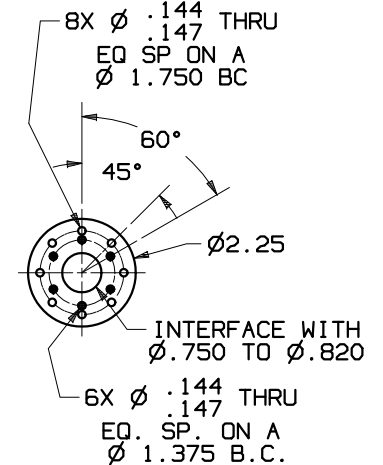
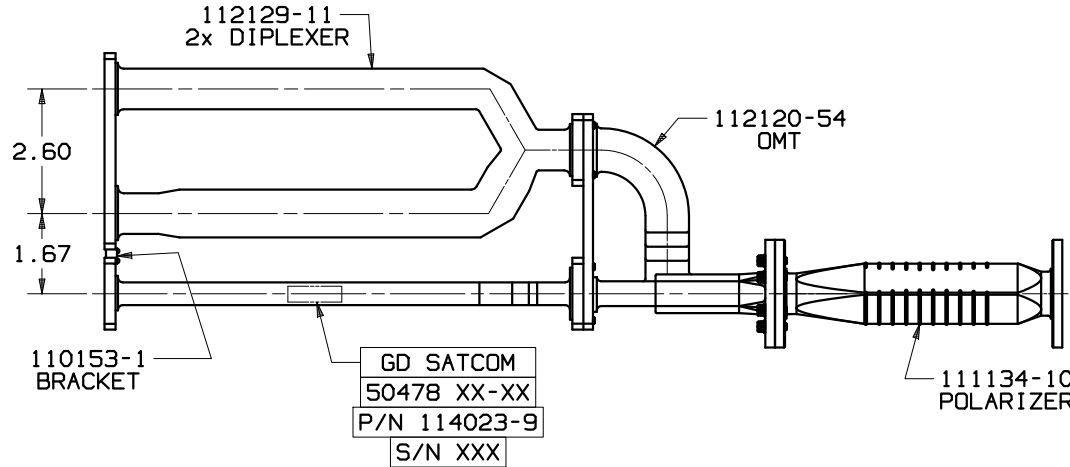
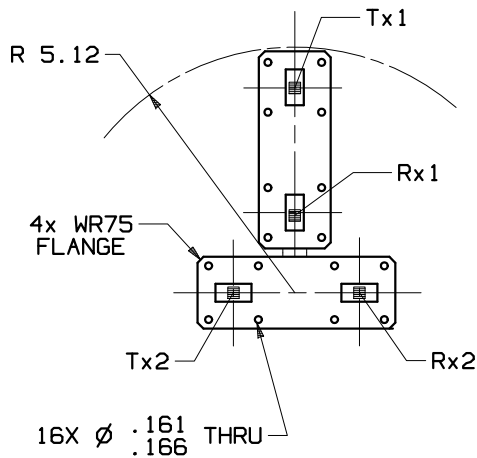
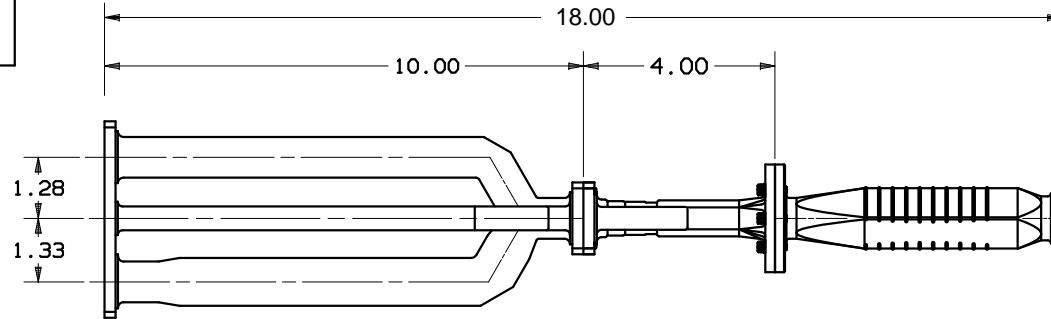
PRESSURIZATION: SEALED TO 5.0 PSIG

FINISH

FLANGE FACES: CHROMATE CONVERSION COATED
EXTERIOR: WHITE PAINT, COLOR NO. 17875
PER FED-STD-595

REVISIONS

REV	DESCRIPTION	EFFECTIVE DATE	APPROVED
B	EC 12779	19SEP13	



NOTES: UNLESS OTHERWISE SPECIFIED.

UNLESS OTHERWISE SPECIFIED		APPROVALS	DATE	GENERAL DYNAMICS PROPRIETARY	
INTERPRET DIMENSIONING & TOLERANCING PER ANSI Y14.5M-1982. DIMENSIONS ARE IN INCHES. DIMENSIONS SHOWN IN () ARE FOR REFERENCE ONLY. TOLERANCES ARE:		DRAWN: H. Lim	06-22-12	GENERAL DYNAMICS SATCOM Technologies 3111 Fujita St., Torrance, CA 90505, (310) 539-6704	
SURFACE - TOLERANCES -		CHECKED: R. Baltazar	06-22-12		
.XX ±.02		RF-ENG:			
.XXX ±.004		MFG-ENG:			
.XXXX ±		ENG-MGR:		Ku-BAND 4-PORT DIPLEXER, CP	
ANGLES ±0°30'		EAR CONTROLLED: Export or re-export subject to 15 CFR 700-799.			
MATERIAL:				SIZE C	FSCM No 50478
				DWG No	114023-9
				SCALE: 1:2	SHEET 1
				REV B	