

SPECIFICATIONS

FREQUENCY BAND

Rx1/Rx2: 10.70 - 12.50 GHz
 Tx1/Tx2: 12.75 - 14.50 GHz
 Tx3/Tx4: 17.30 - 18.40 GHz

INSERTION LOSS

Rx1/Rx2: 1.20 dB MAX
 Tx1/Tx2: 1.20 dB MAX
 Tx3/Tx4: 0.60 dB MAX

RETURN LOSS

Rx: 15.90 dB MIN
 Tx: 15.90 dB MIN

CROSS POL ON AXIS: 35 dB MIN ALL PORTS

WITHIN Rx1/Rx2: 35 dB MIN
 1.0 dB Tx1/Tx2: 35 dB MIN

BEAMWIDTH Tx3/Tx4: 30 dB MIN

ISOLATION : SEE TABULATION **1**

POWER HANDLING

Tx1/Tx2: 1.0 kW CW TOTAL
 Tx3: 2.0 kW CW TOTAL
 Tx4: 2.0 kW CW TOTAL

PIM LEVEL

: -116 dBm MAX WITH TWO CARRIERS AT 25 W CW
 OVER 12.75 -18.4 GHz

PIM TEST AND

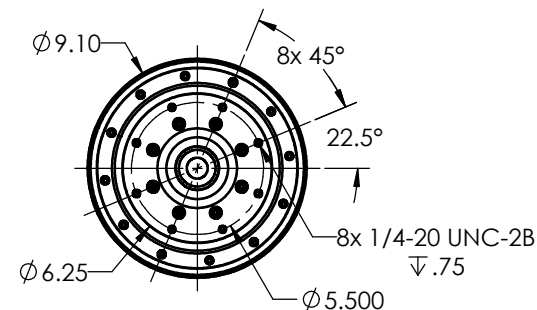
VERIFICATION : -116 dBm MAX WITH TWO CARRIERS AT 25 W CW
 OVER 12.75 -18.4 GHz

FINISH

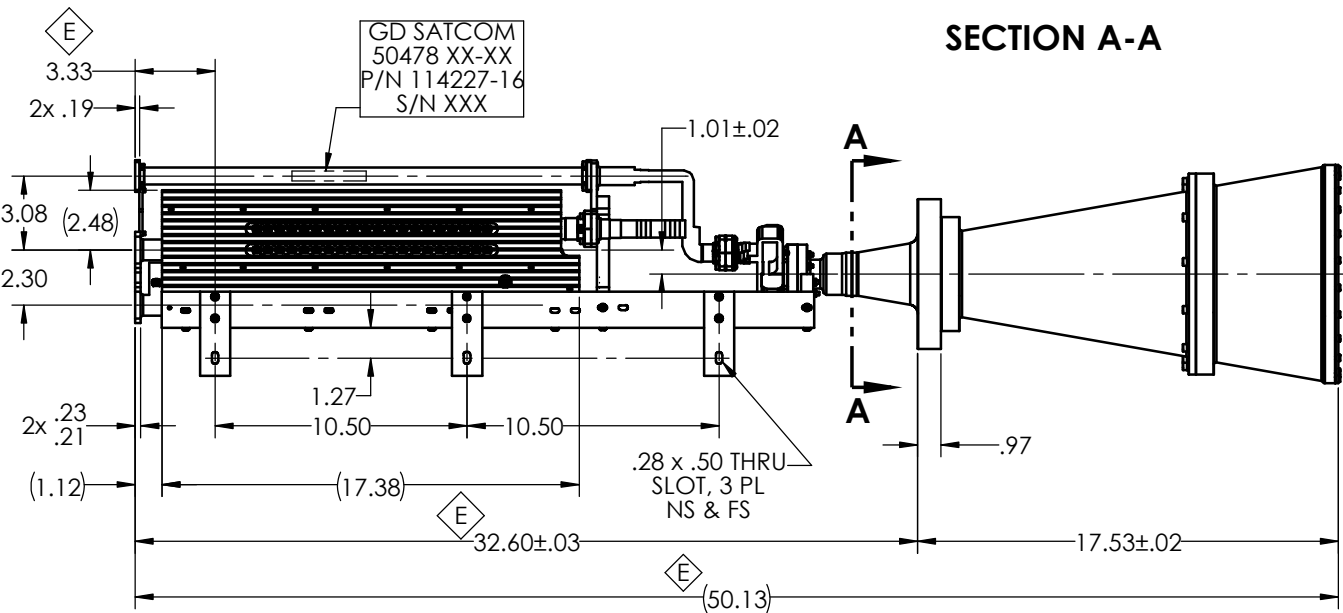
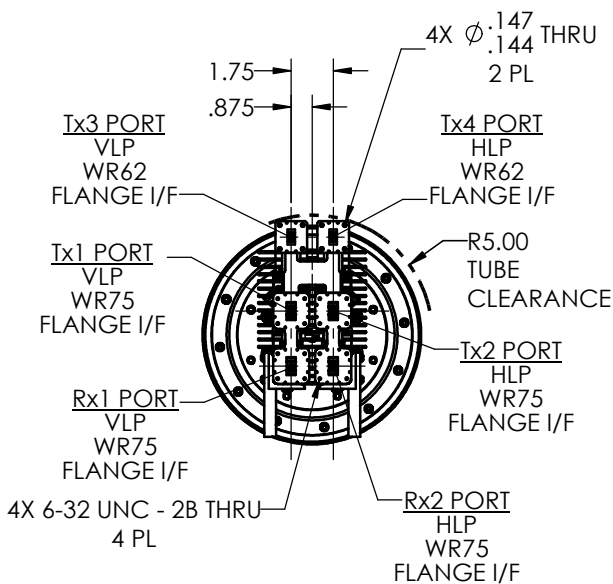
FLANGE FACES : COPPER ALLOY
 EXTERIOR : BLACK PAINT, COLOR N_o 37038 PER FED-STD-595

REVISIONS

REV.	DESCRIPTION	DATE	APPROVED
D	SEE EC N _o 12502		
E	SEE EC N _o 12629	18JUL13	



SECTION A-A



1 ISOLATION (dB MIN)

O/P	I/P					
	Rx1	Rx2	Tx1	Tx2	Tx3	Tx4
Rx1	0	40	120	120	85	85
Rx2	40	0	120	120	85	85
Tx1	95	95	0	40	40	40
Tx2	95	95	40	0	40	40
Tx3	85	85	40	40	0	40
Tx4	85	85	40	40	40	0

NOTES: UNLESS OTHERWISE SPECIFIED.

UNLESS OTHERWISE SPECIFIED INTERPRET DIMENSIONING & TOLERANCING PER ANSI Y14.5M-1992. DIMENSIONS ARE IN INCHES. DIMENSIONS SHOWN IN () ARE FOR REFERENCE ONLY. TOLERANCES ARE: SURFACE- TOLERANCES- 32 ✓ .XX ±.01 .XXX ±.005 .XXXX ±.001 ANGLES ±0°30'	APPROVALS DRAWN: H. Lim 08-30-12 CHECKED: G. Salvail 09-06-12 RF-ENG: J. Wrigley 09-04-12 MFG-ENG: J. Davis 09-06-12 ENG-MGR:	DATE 08-30-12 09-06-12 09-04-12 09-06-12	GENERAL DYNAMICS PROPRIETARY GENERAL DYNAMICS SATCOM Technologies 3111 Fujita Street, Torrance CA 90505, (310) 539-6704		
	ITAR CONTROLLED: Exchange, export or transfer subject to the licensing or agreement requirements of 22 CFR 120 - 130 as amended.		Ku-BAND 6-PORT FEED LINEAR POLARIZED, LowPIM		
	MATERIAL:	SIZE C 50478	FSCM N _o 50478	DWG N _o 114227-16	REV E
	SCALE: 1:4		SHEET 1		