



BT-1408

Bias Tee BT-1400 Series

DC Connector: 0: No Connector

10 MHz Injection: 8: BNC (Female)



KEY SPECIFICATIONS

Band	L-Band
Pass Band	950 - 2150 MHz

RF SPECIFICATIONS

10mhz Pass Band	10 - 100 MHz
Input VSWR	2.0 : 1 max.
Insertion Loss Max	1 dB
Output VSWR	2.0 : 1 max.

INTERFACE SPECIFICATIONS

10mhz Injection	BNC (Female)
DC Connector	No Connector
Output Connector	N (Male) - 50 Ohm
RF Input Connector	N (Female) - 50 Ohm

ENVIRONMENTAL SPECIFICATIONS

IP Rating	IP 66
Temperature Operational	-30°C to +50°C
Temperature Storage	-40 to +70°C

PHYSICAL SPECIFICATIONS

Product Height	25 mm
Product Length	105 mm
Product Weight	0.17 kg



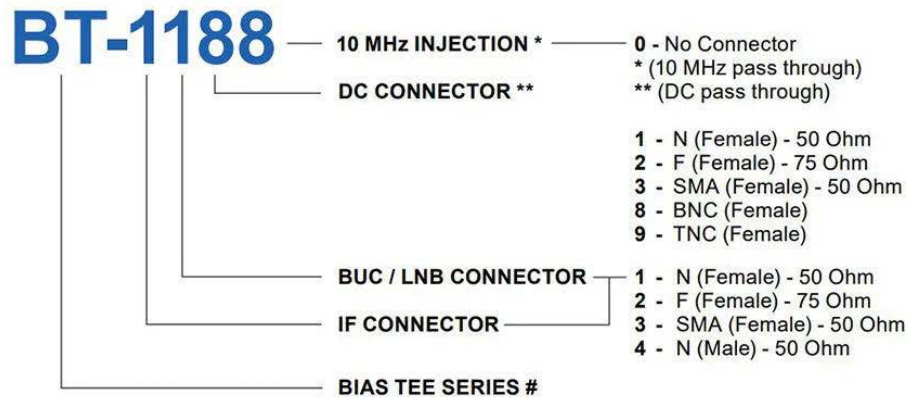
Product Width

55 mm

LOGISTICS SPECIFICATIONS

HS Code	Country of Origin	Ex Works	ECCN Number	Unit Package
8517690000	Made in Canada	Richmond, BC, Canada	EAR99	105 x 55 x 25 mm

HOW TO ORDER



MECHANICAL DIAGRAMS

