

Ku-band 16W BUC

RF Frequency:
13.75 to 14.5 GHz and 14.0 to 14.5 GHz

Model No. NJT8319 series

RF Frequency : 14.0 to 14.5 GHz / 13.75 to 14.5 GHz
LO Frequency : 13.05 GHz / 12.80 GHz
IF Frequency : 950 to 1,450 MHz / 950 to 1,700 MHz
Output Power @ 1dB G.C.P.
: +42 dBm (16W)
IF / Ref. (10MHz) Input:
N-type / F-type, Female Connector
DC Power Input : MS Connector / IF Connector (*)
M&C Option : FSK Communication M&C
RS-232C Interface M&C

Specifications

Rev.03 August 26, 2016

*) MS Connector models are available to apply DC voltage via either MS Connector or IF Connector.

Copyright 2016

New Japan Radio Co., Ltd.
Microwave Division

-Notice of Proprietary Information-

This documents and its contents are proprietary to New Japan Radio Co., Ltd.
This publication and its contents may not be reproduced or distributed for any other purpose without the written permission of New Japan Radio Co., Ltd.



Caution

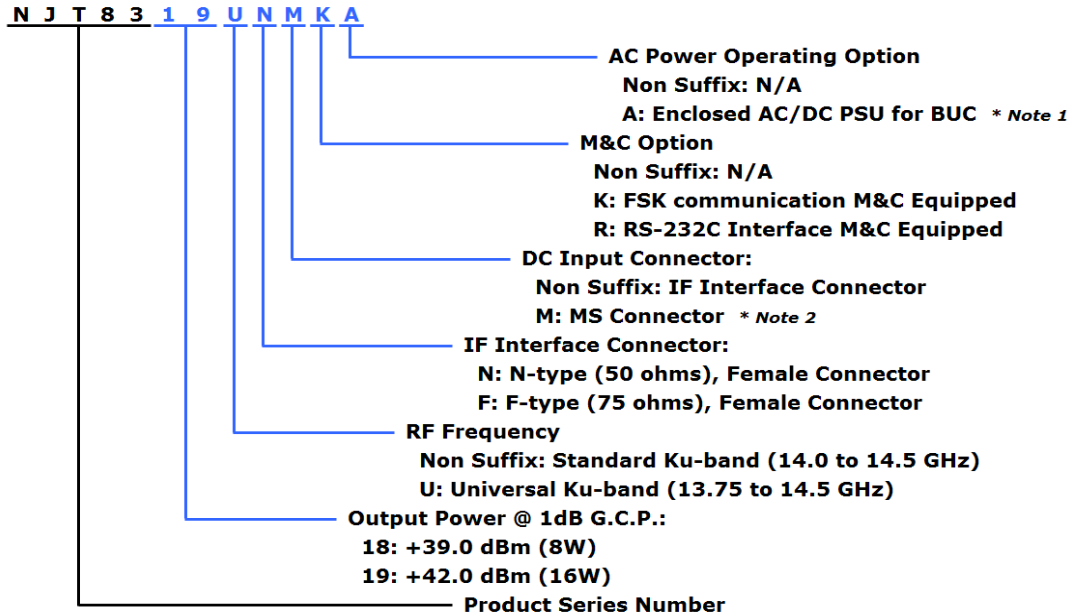
1. NJRC strives to produce reliable and high quality microwave components. NJRC's microwave components are intended for specific applications and require proper maintenance and handling. To enhance the performance and service of NJRC's microwave components, the devices, machinery or equipment into which they are integrated should undergo preventative maintenance and inspection at regularly scheduled intervals. Failure to properly maintain equipment and machinery incorporating these products can result in catastrophic system failures.
2. To ensure the highest levels of reliability, NJRC products must always be properly handled. The introduction of external contaminants (e.g. dust, oil or cosmetics) can result in failures of microwave components.
3. NJRC offers a variety of microwave components intended for particular applications. It is important that you select the proper component for your intended application. You may contact NJRC's sales office or sales representatives, if you are uncertain about the products listed in the catalog and the specification sheets.
4. Special care is required in designing devices, machinery or equipment, which demand high levels of reliability. This is particularly important when designing critical components or systems whose foreseeable failure can result in situations that could adversely affect health or safety. In designing such critical devices, equipment or machinery, careful consideration should be given to, amongst other things, their safety design, fail-safe design, back-up and redundancy systems, and diffusion design.
5. The products listed in the catalog and specification sheets may not be appropriate for use in certain equipment where reliability is critical or where the products may be subjected to extreme conditions. You should consult our sales office or sales representatives before using the products in any of the following types of equipment.
 - * Aerospace Equipment
 - * Equipment Used in the Deep Sea
 - * Power Generator Control Equipment (nuclear, steam, hydraulic)
 - * Life Maintenance Medical Equipment
 - * Fire Alarm/Intruder Detector
 - * Vehicle Control Equipment (automobile, airplane, railroad, ship, etc.)
 - * Various Safety Equipment
6. NJRC's products have been designed and tested to function within controlled environmental conditions. Do not use products under conditions that deviate from methods or applications specified in the catalog and specification sheets. Failure to employ NJRC's products in the proper applications can lead to deterioration, destruction or failure of the products. NJRC shall not be responsible for any bodily injury, fires or accidents, property damage or any consequential damages resulting from the misuse or misapplication of its products. PRODUCTS ARE SOLD WITHOUT WARRANTY OF ANY OF KIND, EITHER EXPRESS OR IMPLIED, INCLUDING BUT NOT LIMITED TO ANY IMPLIED WARRANTY OF MERCHANTABILITY OR FITNESS FOR A PARTICULAR PURPOSE.
7. The product specifications and descriptions listed in the catalog and specification sheets are subject to change at any time, without notice.

* Above Specifications are subject to change without notice.



Model Number

● Numbering System



● Line-up

Model No.	RF Frequency	Local Frequency	IF Frequency	Output Power @ P1dB	IF Connector	Power Supply	Port for Voltage Input	M&C Option	
NJT8319N	14.0 to 14.5 GHz (Standard Ku-band)	13.05 GHz	950 to 1,450 MHz	16W Linear (+42dBm min.)	N-type	+36 to +60 V DC Power	IF Connector	N/A	
NJT8319F					F-type		MS Connector * Note 2 (IF Connector Option)		
NJT8319NM					N-type		AC Power		MS Connector * Note 1
NJT8319FM					F-type				
NJT8319NMA					N-type	+36 to +60 V DC Power	IF Connector	FSK M&C	
NJT8319FMA					F-type		MS Connector * Note 2 (IF Connector Option)		
NJT8319NK					N-type	AC Power	MS Connector * Note 1		
NJT8319FK					F-type		+36 to +60 V DC Power	IF Connector	RS-232C M&C
NJT8319NMK					N-type	MS Connector * Note 2 (IF Connector Option)			
NJT8319FMK					F-type	AC Power	MS Connector * Note 1		
NJT8319NMKA					N-type		+36 to +60 V DC Power	MS Connector (IF Connector Option)	N/A
NJT8319FMKA					F-type	MS Connector * Note 1			
NJT8319NMR					N-type	AC Power	MS Connector * Note 1		
NJT8319FMR					F-type		+36 to +60 V DC Power	IF Connector	FSK M&C
NJT8319NMRA	N-type	MS Connector * Note 2 (IF Connector Option)							
NJT8319FMRA	F-type	AC Power	MS Connector * Note 1						
NJT8319UN	13.75 to 14.5 GHz (Universal Ku-band)		12.80 GHz		950 to 1,700 MHz	N-type	+36 to +60 V DC Power	IF Connector	N/A
NJT8319UF		F-type				MS Connector * Note 2 (IF Connector Option)			
NJT8319UNM		N-type				AC Power		MS Connector * Note 1	
NJT8319UFM		F-type							
NJT8319UNMA		N-type				+36 to +60 V DC Power	IF Connector	FSK M&C	
NJT8319UFMA		F-type					MS Connector * Note 2 (IF Connector Option)		
NJT8319UNK		N-type				AC Power	MS Connector * Note 1		
NJT8319UFK		F-type					+36 to +60 V DC Power	IF Connector	RS-232C M&C
NJT8319UNMK		N-type				MS Connector * Note 2 (IF Connector Option)			
NJT8319UFMK		F-type				AC Power	MS Connector * Note 1		
NJT8319UNMKA		N-type					+36 to +60 V DC Power	MS Connector (IF Connector Option)	N/A
NJT8319UFMKA		F-type				MS Connector * Note 1			
NJT8319UNMR		N-type		AC Power		MS Connector * Note 1			
NJT8319UFMR		F-type				+36 to +60 V DC Power	IF Connector	FSK M&C	
NJT8319UNMRA	N-type	MS Connector * Note 2 (IF Connector Option)							
NJT8319UFMRA	F-type	AC Power	MS Connector * Note 1						

*Note1: Additional outdoor 250W AC/DC PSU is enclosed for AC Power Option and DC Power is supplied at MS connector of BUC from AC/DC PSU via power cable.

*Note2: MS Connector models are available to apply DC voltage via either MS Connector or IF Connector.

* Above Specifications are subject to change without notice.



1. Electrical Specifications

1-1.	Output Frequency Range <Universal Ku-band> <Standard Ku-band>	13.75 to 14.5 GHz 14.0 to 14.5 GHz
1-2.	Input Frequency Range <Universal Ku-band> <Standard Ku-band>	950 to 1,700 MHz 950 to 1,450 MHz
1-3.	Maximum IF Input Level (without damage)	+13 dBm max.
1-4.	Conversion Type	Single, fixed L.O.
1-5.	L.O. Frequency <Universal Ku-band> <Standard Ku-band>	12.80 GHz 13.05 GHz
1-6.	Frequency Sense	Positive
1-7.	Output Power @ 1dB G.C.P. (P1dB)	+42 dBm min. over temperature
1-8.	Linear Gain	68 dB nom., 62 dB min.
1-9.	Gain Variation over frequency @ fixed temperature <Universal Ku-band> <Standard Ku-band>	5 dBp-p max. over 750 MHz 2 dBp-p max. over 54 MHz 5 dBp-p max. over 500 MHz 2 dBp-p max. over 54 MHz
1-10.	Gain Stability over temperature @ fixed frequency	4 dBp-p max. 2 dBp-p typ.
1-11.	IM3	-28 dBc typ., -24 dBc max. @ total power <= +42 dBm - 3 dB
1-12.	ACPR	-28 dBc typ. @ Pout = +41 dBm
1-13.	Requirement for External Reference [Frequency] [Input Power] [Phase Noise]	10 MHz (sine-wave) -5 to +5 dBm @ Input port -125 dBc/Hz max. @ 100 Hz -135 dBc/Hz max. @ 1 kHz -140 dBc/Hz max. @ 10 kHz
1-14.	L.O. Phase Noise	-60 dBc/Hz max. @ 100 Hz -70 dBc/Hz max. @ 1 kHz -80 dBc/Hz max. @ 10 kHz -90 dBc/Hz max. @ 100 kHz -100 dBc/Hz max. @ 1MHz
1-15.	Spurious @ P1dB Output [in band] [in receive and] [Out-of-band]	-50 dBc max. @ RF Frequency -70 dBm max. @ 10.95 to 12.75 GHz -50 dBc max.
1-16.	Receive Band Noise Density <Universal Ku-band> <Standard Ku-band>	Tx: 14.0 to 14.5 GHz -156 dBm/Hz max. @10.95 to 12.75 GHz Tx: 13.75 to 14.0 GHz -156 dBm/Hz max. @10.95 to 12.25 GHz -125 dBm/Hz max. @12.25 to 12.75 GHz Tx: 14.0 to 14.5GHz -156 dBm/Hz max. @ 10.95 to 12.75 GHz

* Above Specifications are subject to change without notice.



1-17.	Noise Figure	20 dB max.
1-18.	Group Delay over any 54MHz	2.5 nS p-p max.
1-19.	Input Impedance <N-type Model> <F-type Model>	50 ohms nom. 75 ohms nom.
1-20.	Input V.S.W.R.	2 : 1 max.
1-21.	Output V.S.W.R.	2 : 1 max.
1-22.	Output Load VSWR for Non Damage	2 : 1 max.
1-23.	DC Power Requirement [Voltage Range] [Power Consumption]	+48 VDC (+36 to +60 VDC) 140 W typ. @ No IF signal 160 W typ., 180 W max. @ Pout = +42 dBm
1-24.	Mute	Shut off the HPA in case of L.O. unlocked, no 10 MHz reference signal, or Over temperature. * Note 3
1-25.	LED Indicator	GREEN: L.O. locked RED: L.O. unlocked (or no 10 MHz reference signal)
1-26.	Monitor and Control <FSK Communication M&C> [Interface] [Functions] [Performance]	650kHz FSK Signal on IF Connector Monitor: Tx Output Power / Temperature / Tx Status / Alarm (Over temperature * Note 3 / L.O. unlock) / Step Attenuator Control: Transmit On/Off / Step Attenuator Tx Output Power: Detector Range: 15 dB (up to P1dB) Reading Accuracy: +/- 1.0 dB Step Attenuator: Attenuator Range: 0 to 15.5 dB Attenuator Step: 0.5 dB <i>*Details are mentioned on Appendix of "Specifications of Monitor & Control".</i>

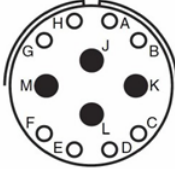
* Above Specifications are subject to change without notice.

1-26.	<p>Monitor and Control <RS-232C Interface M&C > [Interface] [Functions]</p> <p>[Performance]</p>	<p>RS-232C Interface on MS connector</p> <p>Monitor: Tx Output Power / Temperature / Tx Status / Alarm (Over temperature * Note 3 / L.O. unlock) / Step Attenuator</p> <p>Control: Transmit On/Off / Step Attenuator</p> <p>Tx Output Power: Detector Range: 15 dB (up to P1dB) Reading Accuracy: +/- 1.0 dB</p> <p>Step Attenuator: Attenuator Range: 0 to 15.5 dB Attenuator Step: 0.5 dB</p> <p><i>*Details are mentioned on Appendix of "<u>Specifications of Monitor & Control</u>".</i></p>
-------	---	---

*Note3: Regardless of cooling fan status, the unit will operate until status of over temperature which turn out at internal temperature of around 120 °C, and the Mute and Alarm will function at status of over temperature.

* Above Specifications are subject to change without notice.

2. Mechanical Specifications

2-1.	Input Interface [IF Connector] [DC Input]	N-type or F-type, female IF / Ref. / FSK M&C Signal (/ DC) Input IF Connector or MS Connector * Note 4 - MS Connector - Part No.: PT02E-14-12P (025) Mating connector: PT06E-14-12S (470) Assignment:  <ul style="list-style-type: none"> Pin A: N.C. Pin B: N.C. Pin C: N.C. Pin D: N.C. Pin E: GND COMMON (RS-232C) Pin F: N.C. Pin G: RS-232C TxD* Pin H: RS-232C RxD* Pin J: DC Power (+) / Prime Pin K: DC Power (-) / Return; GND COMMON (RS-232C) Pin L: N.C. Pin M: N.C. <p><i>* Pin G: RS-232C TxD and Pin H: RS-232C RxD are available for only RS-232C Interface M&C models.</i></p>
2-2.	Output Interface	Waveguide, WR-75 (with Groove)
2-3.	Cooling	Forced-air-cooled
2-4.	Dimension & Housing	180(L) × 130(W) × 80(H) mm [7.09" (L) × 5.12" (W) × 3.15" (H)] without interface connectors and screws
2-5.	Weight	2.4 kg [5.3 lbs]

*Note4: MS Connector models are available to apply DC voltage via either MS Connector or IF Connector.
Caution: DO NOT apply DC voltage via both MS Connector and IF Connector.
 If DC voltage is applied on both connectors, it may damage the unit or the unit may not operate properly.

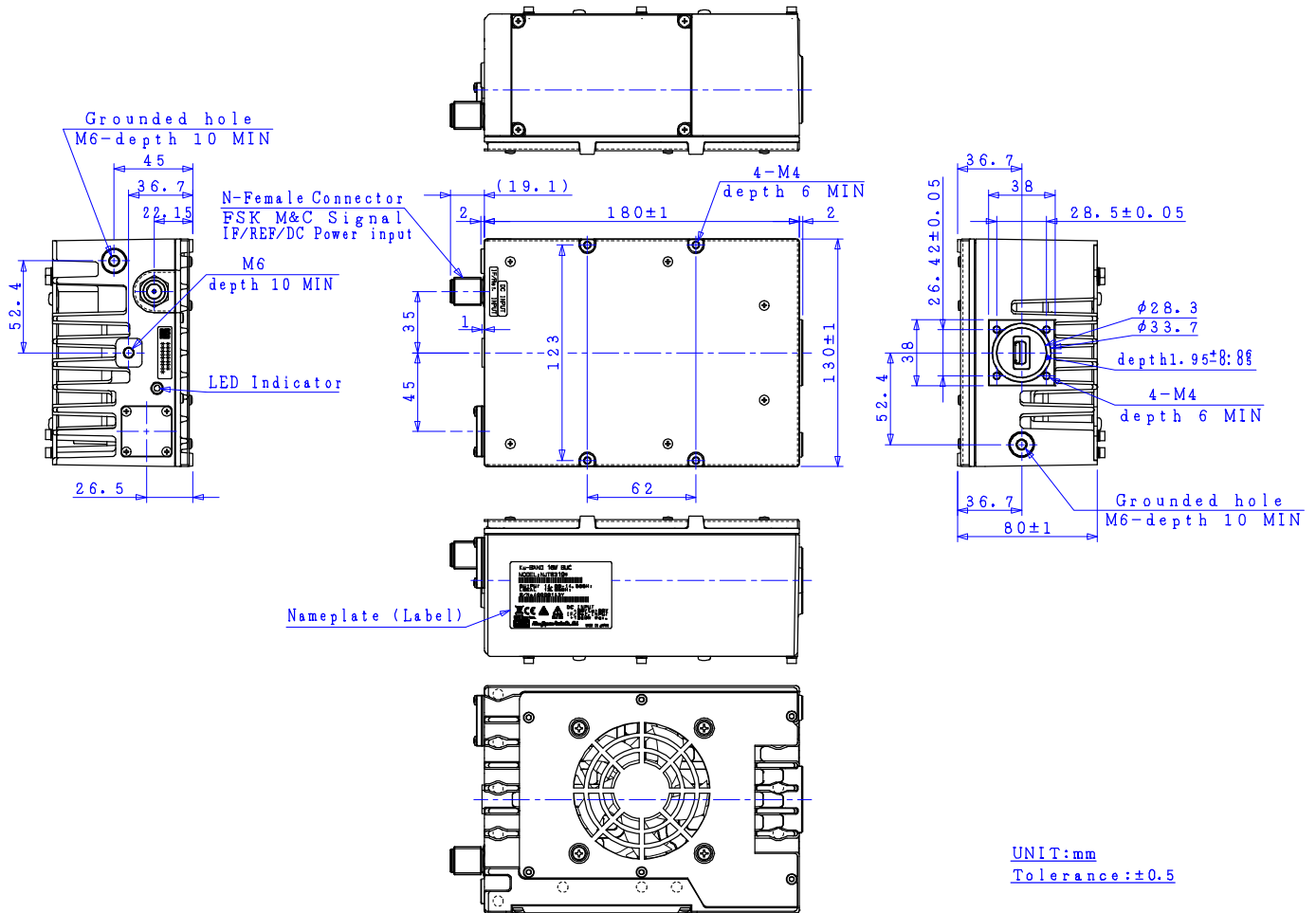
3. Environmental Specifications

3-1.	Temperature Range (ambient) [Operating] [Storage]	Operation Guarantee: -40 to +75 °C Performance Guarantee: -40 to +55 °C -40 to +75 °C
3-2.	Humidity	0 to 100 %
3-3.	Altitude	15,000 feet (4,572 m)
3-4.	Vibration	5 G [49.03 m/s ²] (3 axis, 50 Hz to 2 kHz) 1 mm p-p (3 axis, 5 to 50 Hz)
3-5.	Shock	30 G [294.20 m/s ²] (3 axis)
3-6.	Waterproof / Dustproof (IP Code)	IP 67
3-7.	Regulations	EU Directive (CE Marking) EMC (2004/108/EC)
3-8.	Comply with RoHS (Restricting the use of Hazardous Substances) directives	

* Above Specifications are subject to change without notice.

4. Outline Drawing

- IF / Ref. Input: N-type Female Connector
- DC Input: IF Connector

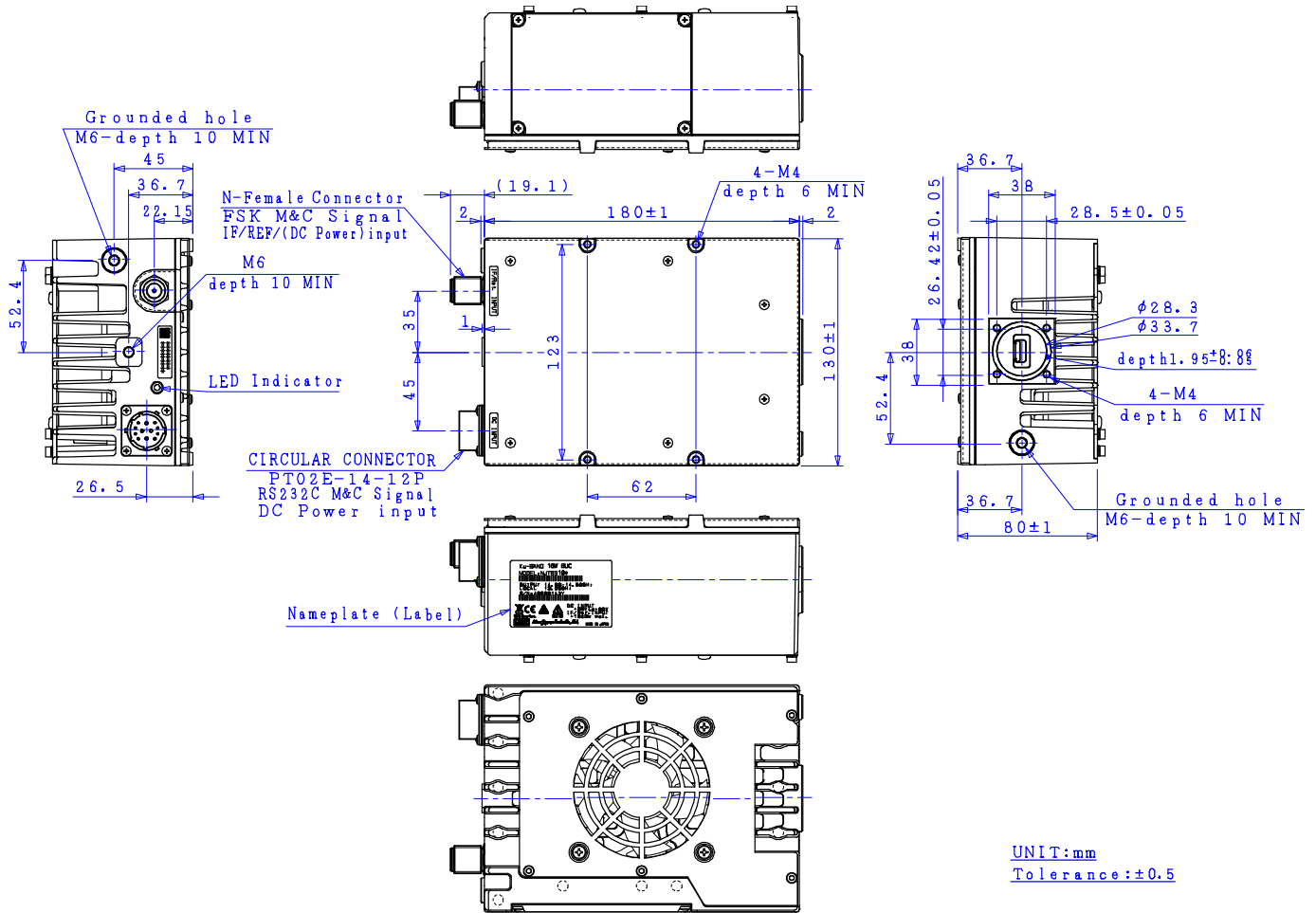


Accessories

- O-ring, Qty (1), for waveguide flange
- Wrench Key, Qty (1), M4, Hexagon
- Bolts, Qty (4), M4 x 10, Hexagon socket head with spring washer and flat washer, SUS, for waveguide flange
- Screws, Qty (2), M6 x 10, Phillips head with spring washer and flat washer, SUS, for grounded hole

* Above Specifications are subject to change without notice.

- IF / Ref. Input: N-type Female Connector
- DC Input: MS Connector

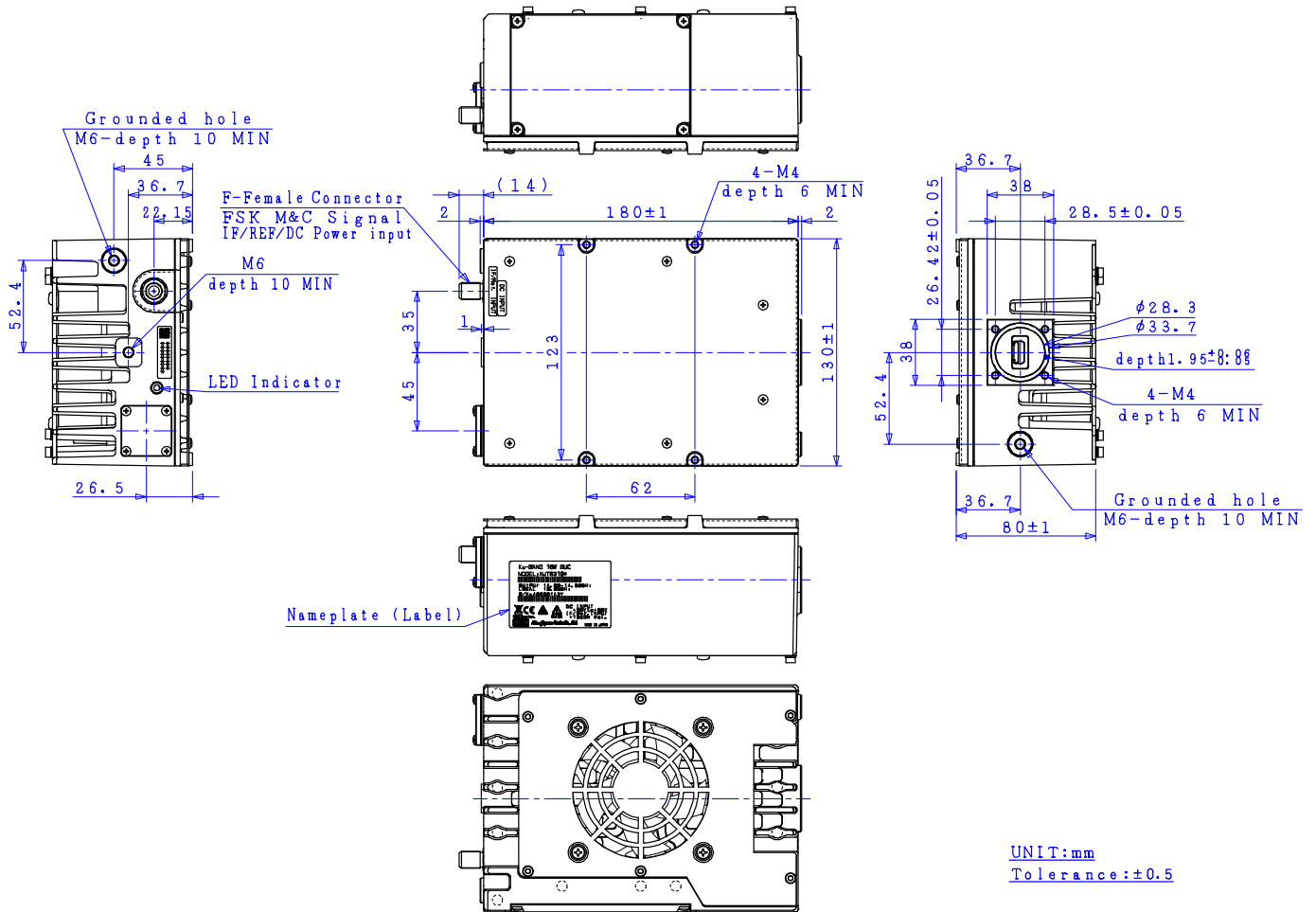


Accessories

- O-ring, Qty (1), for waveguide flange
- Wrench Key, Qty (1), M4, Hexagon
- Bolts, Qty (4), M4 x 10, Hexagon socket head with spring washer and flat washer, SUS, for waveguide flange
- Screws, Qty (2), M6 x 10, Phillips head with spring washer and flat washer, SUS, for grounded hole
- Connector, Qty (1), MS Mating connector: PT06E-14-12S (470)

* Above Specifications are subject to change without notice.

- IF / Ref. Input: F-type Female Connector
- DC Input: IF Connector

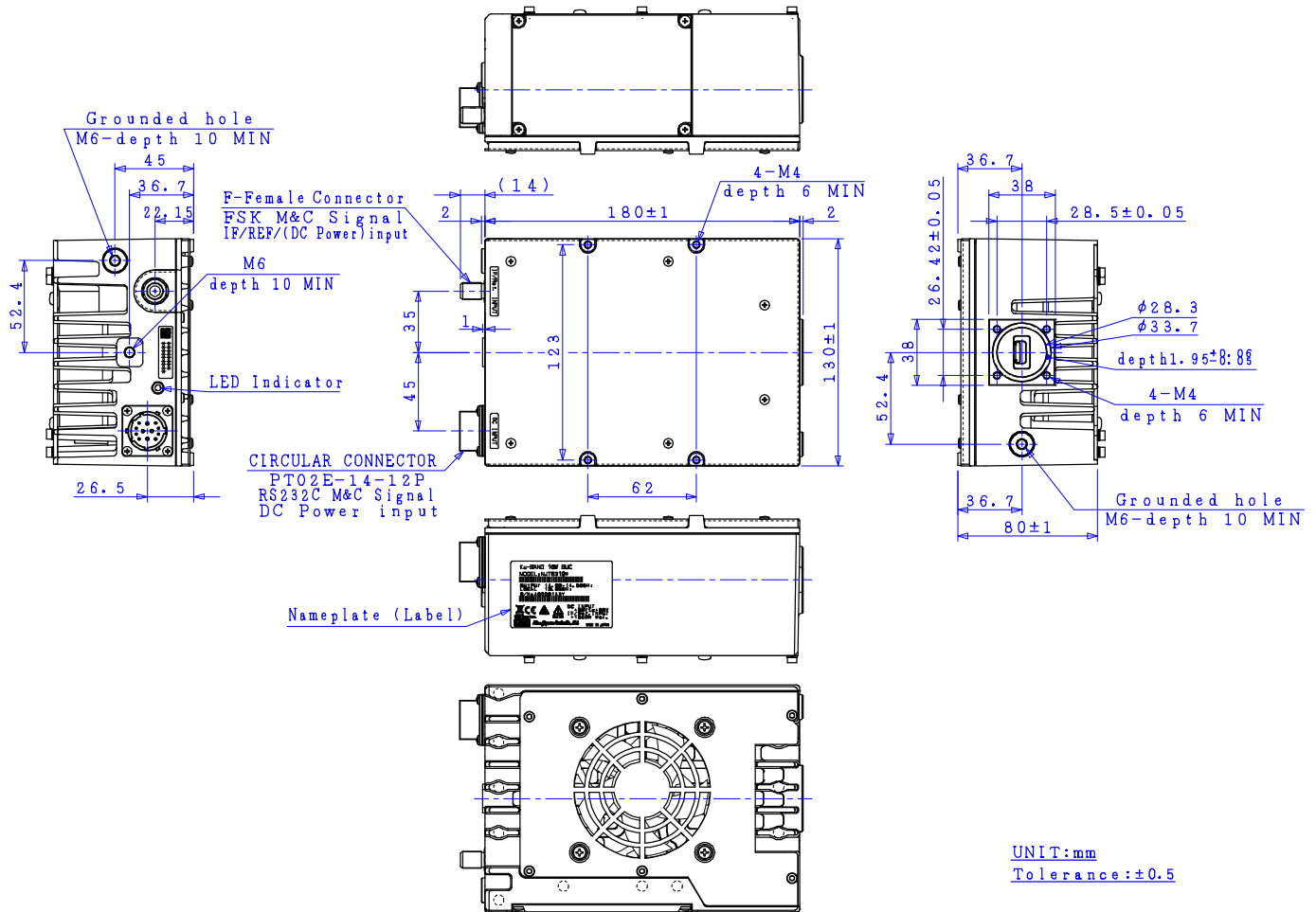


Accessories

- O-ring, Qty (1), for waveguide flange
- Wrench Key, Qty (1), M4, Hexagon
- Bolts, Qty (4), M4 x 10, Hexagon socket head with spring washer and flat washer, SUS, for waveguide flange
- Screws, Qty (2), M6 x 10, Phillips head with spring washer and flat washer, SUS, for grounded hole

* Above Specifications are subject to change without notice.

- IF / Ref. Input: F-type Female Connector
- DC Input: MS Connector

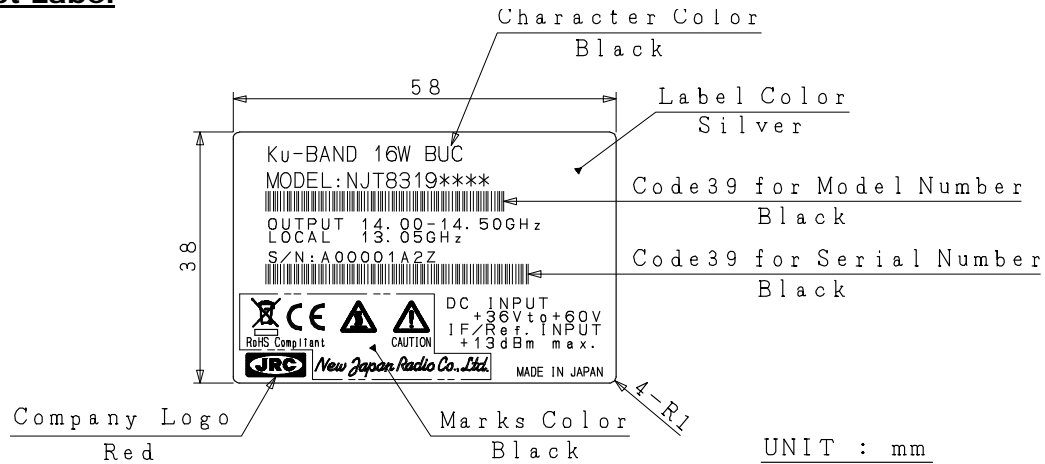


Accessories

- O-ring, Qty (1), for waveguide flange
- Wrench Key, Qty (1), M4, Hexagon
- Bolts, Qty (4), M4 x 10, Hexagon socket head with spring washer and flat washer, SUS, for waveguide flange
- Screws, Qty (2), M6 x 10, Phillips head with spring washer and flat washer, SUS, for grounded hole
- Connector, Qty (1), MS Mating connector: PT06E-14-12S (470)

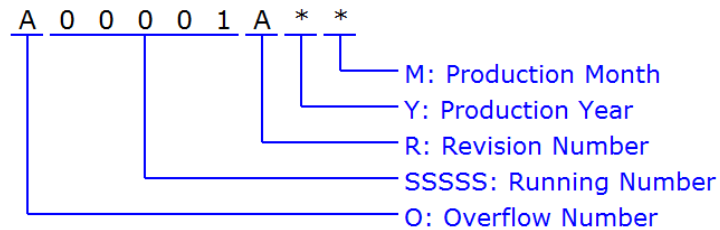
* Above Specifications are subject to change without notice.

5. Label Product Label



Definition of Serial Number

Serial Number (OSSSSRYM) - ALPHANUMERIC (9 characters)



O: Overflow Number - ALPHABET (1 character)

"A" to "Z", e.g.: A99999 ⇒ B00001

SSSS: Running Number - NUMBER (5 digits)

"00001" to "99999"

R: Revision Number - ALPHABET (1 character)

"A" to "Z"

Y: Production Year - NUMBER (1 digit)

Calendar Number, e.g.: 2009:9, 2010:0, 2011:1, 2012:2 ····

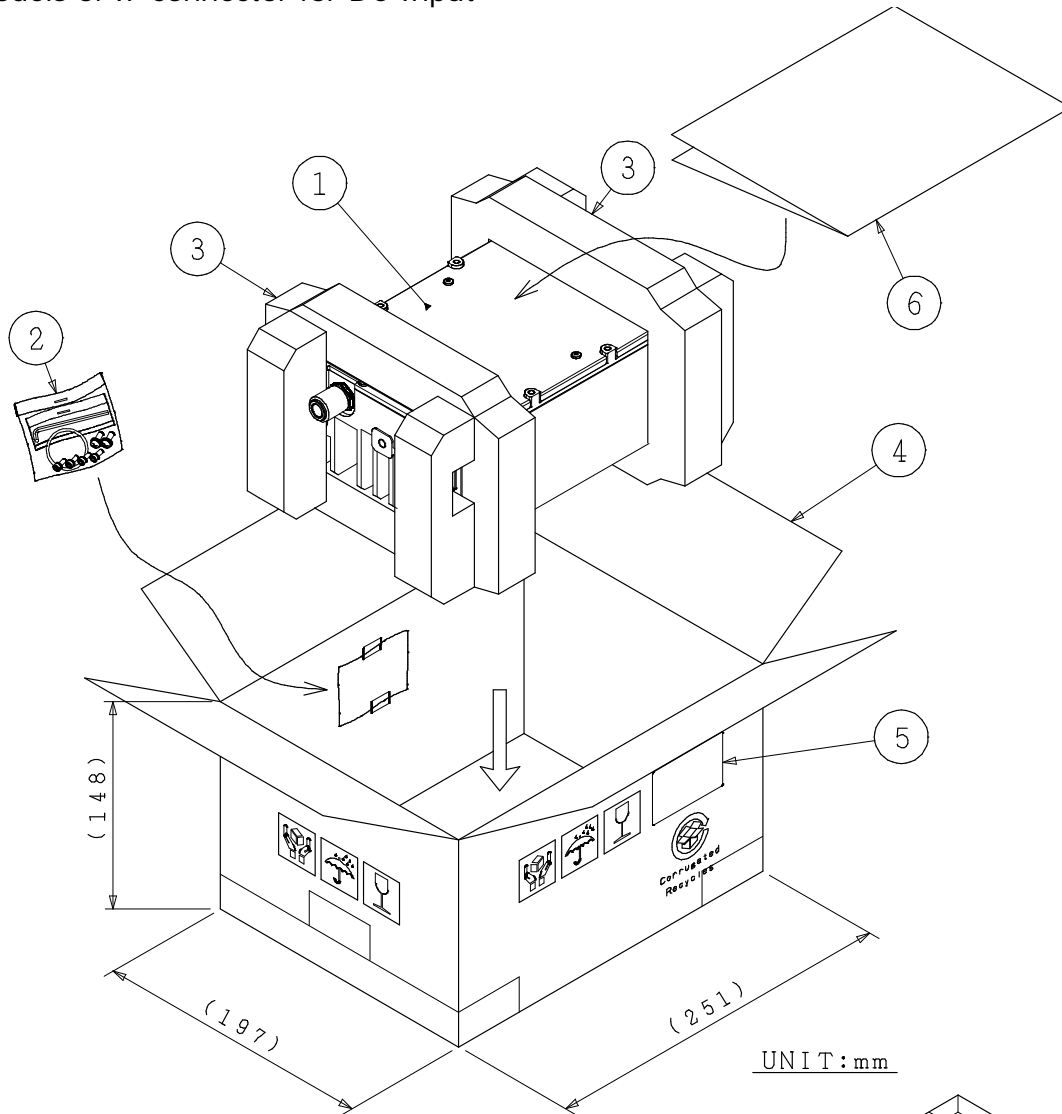
M: Production Month - ALPHANUMERIC (1character)

"1" to "9", "X" as October, "Y" as November, "Z" as December

* Above Specifications are subject to change without notice.

6. Package

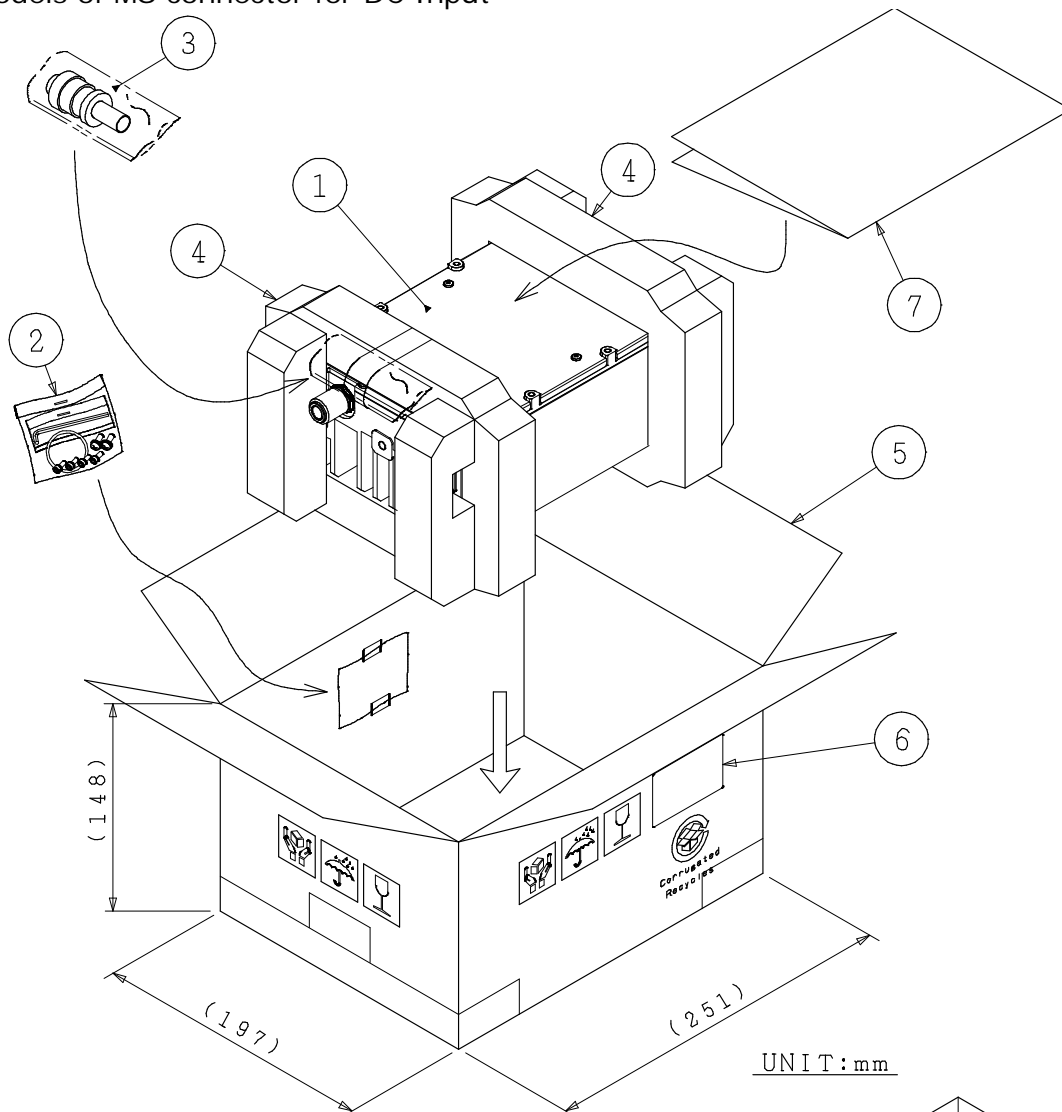
- Models of IF connector for DC Input



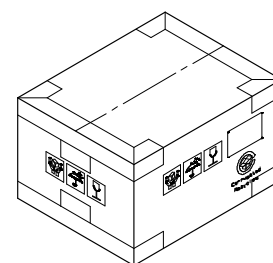
- ①: BUC
- ②: Accessories
 - O-RING
 - Hexagon Socket Head Bolts
M4×10 4 Pieces (SUS, SW and W)
 - Hexagon Wrench Keys (M4 Type)
 - Cross Recessed Head Machine Screw
M6×10 2 Pieces (SUS, SW)
- ③: Polyethylene foam for package cushioning
- ④: Double-faced corrugated fiberboard
- ⑤: Label
- ⑥: Test Data

* Above Specifications are subject to change without notice.

● Models of MS connector for DC Input



- ①: BUC
- ②: Accessories
 - O-RING
 - Hexagon Socket Head Bolts
M4×10 4Pieces (SUS, SW and W)
 - Hexagon Wrench Keys (M4 Type)
 - Cross Recessed Head Machine Screw
M6×10 2Pieces (SUS, SW)
- ③: Accessory
 - MS mating connector
- ④: Polyethylene foam for package cushioning
- ⑤: Double-faced corrugated fiberboard
- ⑥: Label
- ⑦: Test Data



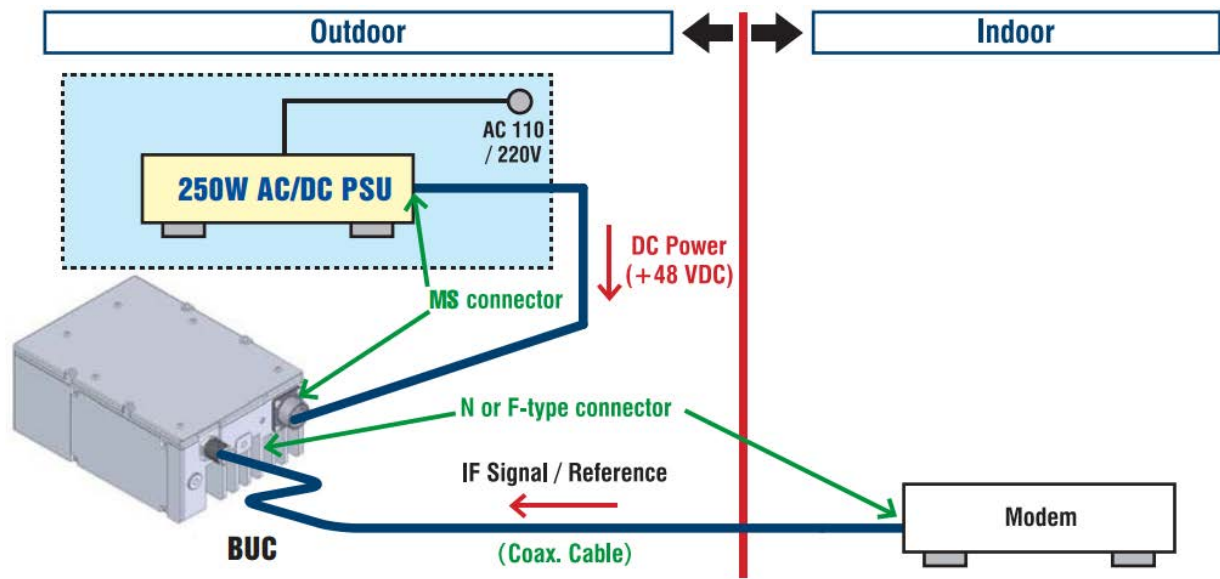
* Above Specifications are subject to change without notice.

AC Power Operating Option

1. Overview

The features of Outdoor 250W AC/DC Power Supply Unit (PSU) are to provide the stable +48V DC power to operate BUCs, even if power supply of the equipment is not capable enough to operate the BUC. This unit employs the aluminum housing with corrosion-proof treatment on the surface and has waterproof and dust-proof constructor in order to use perfectly as the outdoor unit.

In addition, the outdoor AC/DC PSU complies with EC DIRECTIVE.



2. Electrical Specifications

2-1.	Input AC Voltage Range [Rated Range] [Absolute Maximum Rating]	100 to 240 VAC 90 to 264 VAC
2-2.	Input AC Frequency Range	50/60 Hz
2-3.	Input AC Current	3.6 A max.
2-4.	Output Voltage	+48 VDC nom. * Note 5
2-5.	Output Current	5.5 A max.
2-6.	Efficiency	90 % typ. * Note 6
2-7.	Maximum Output Power	250 W
2-8.	Power Factor	0.94 typ. * Note 6

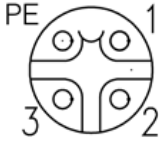
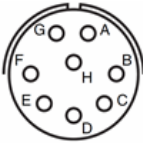
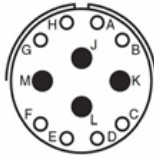
*Note5: Voltage ripple corresponding to output power arises.

*Note6: The condition is 100 VAC as AC voltage input and 200 W as output power load .

* Above Specifications are subject to change without notice.

AC Power Operating Option

3. Mechanical Specifications

3-1.	<p>Input Interface</p> <p>[AC Input]</p> <p>[Option Port]</p>	<p>AC Connector: C016 20C003 200 12 Mating Connector: C016 20D003 210 12 (Amphenol eco mate connector)</p> <p>Assignment:</p>  <p>Pin 1: Live AC input Pin 2: Neutral AC input Pin 3: N.C. Pin PE: Frame Ground (GND)</p> <p>MS Connector: PT02E-12-8P(025) Mating Connector: PT06E-12-8S(470) (Amphenol connector)</p> <p>Assignment:</p>  <p>Pin A: Through Pin A in Output MS connector Pin B: Through Pin B in Output MS connector Pin C: Through Pin C in Output MS connector Pin D: Through Pin D in Output MS connector Pin E: Through Pin E in Output MS connector Pin F: Through Pin F in Output MS connector Pin G: Through Pin G in Output MS connector Pin H: Through Pin H in Output MS connector</p>
3-2.	<p>Output Interface</p> <p>[DC & Option Output]</p>	<p>MS Connector: PT02E-14-12S(025) Mating Connector: PT06E-14-12P(470) (Amphenol connector)</p> <p>Assignment:</p>  <p>Pin A: Through Pin A in Input MS connector Pin B: Through Pin B in Input MS connector Pin C: Through Pin C in Input MS connector Pin D: Through Pin D in Input MS connector Pin E: Through Pin E in Input MS connector Pin F: Through Pin F in Input MS connector Pin G: Through Pin G in Input MS connector Pin H: Through Pin H in Input MS connector Pin J: DC Output (+) / Prime Pin K: DC Output (-) / Return Pin L: N.C. Pin M: N.C.</p>
3-3.	<p>Dimension & Housing</p>	<p>186(L) x 133(W) x 60(H) mm [7.33" (L) x 5.24" (W) x 2.36" (H)] without interface connectors</p>
3-4.	<p>Weight</p>	<p>1.6 kg [3.5 lbs.]</p>
3-5.	<p>Surface Finish</p> <p>[Protective & Conformal Coating]</p> <p>[Finish Paint]</p>	<p>Trivalent Chromate Treatment</p> <p>Acrylic Paint, Ivory Color</p>
3-6.	<p>Cooling</p>	<p>Convection air cooling</p>

* Above Specifications are subject to change without notice.



AC Power Operating Option

4. Environmental Specifications

4-1.	Temperature Range (ambient) [Operating] [Storage]	-40 to +55 °C -40 to +75 °C
4-2.	Humidity	0 to 100 % Rh
4-3.	Dust/Waterproof	IP67
4-4.	Vibration	5 G [49.03 m/s ²] (3 axis, 50 Hz to 2 kHz) 1 mm p-p (3 axis, 5 to 50 Hz)
4-5.	Shock	30 G [294.20 m/s ²] (3 axis)
4-6.	Regulations	EU Directive (CE Marking) EMC (2004/108/EC) Low Voltage (2006/95/EC)
4-7.	Standard [Safety] [EMC]	IEC60950-1:2005 (2 nd Edition) EN60950-1:2006 EN61000-3-2 (Harmonic Current Emission Test) EN61000-3-3 (Voltage Fluctuations and Flicker Test) EN61000-4-2 (ESD Test) EN61000-4-3 (Radio-Frequency Electromagnetic Field Test) EN61000-4-4 (Electrical Fast Transient/Burst Test) EN61000-4-5 (Surge Test) EN61000-4-6 (Conducted Disturbance Radio-Frequency Test) EN61000-4-8 (Power Frequency Magnetic Field Test) EN61000-4-11 (Voltage Dips and Interruptions Test)
4-8.	Comply with RoHS (Restricting the use of Hazardous Substances) directives	

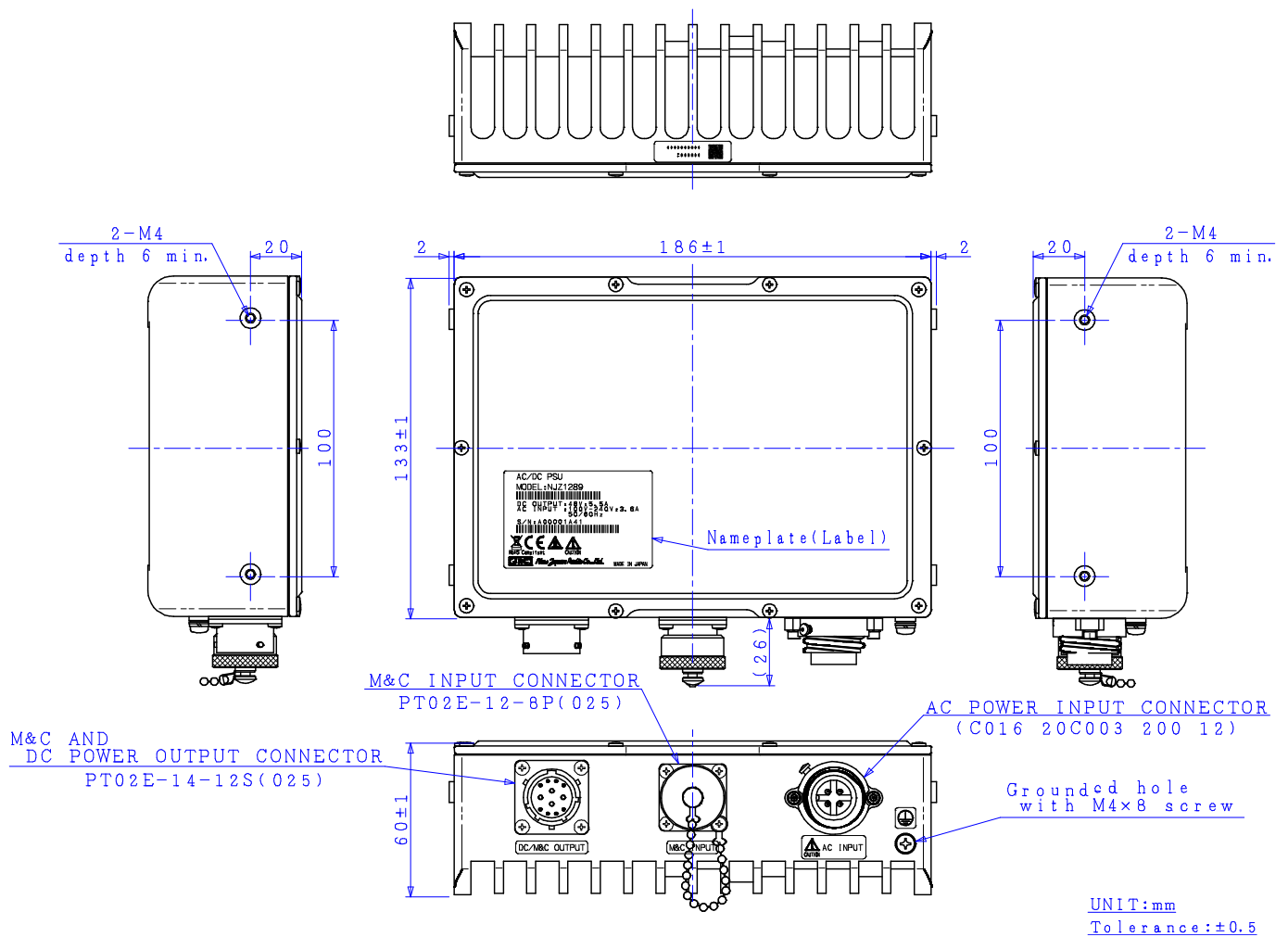
5. Accessories

- AC Connector (Plug socket) , Qty (1), Mating connector:
C016 20D003 210 12 (Amphenol)
- MS Connector (Plug pin) , Qty (1), Mating connector: PT06E-14-12P (470) (Amphenol)

* Above Specifications are subject to change without notice.

AC Power Operating Option

6. Outline Drawing

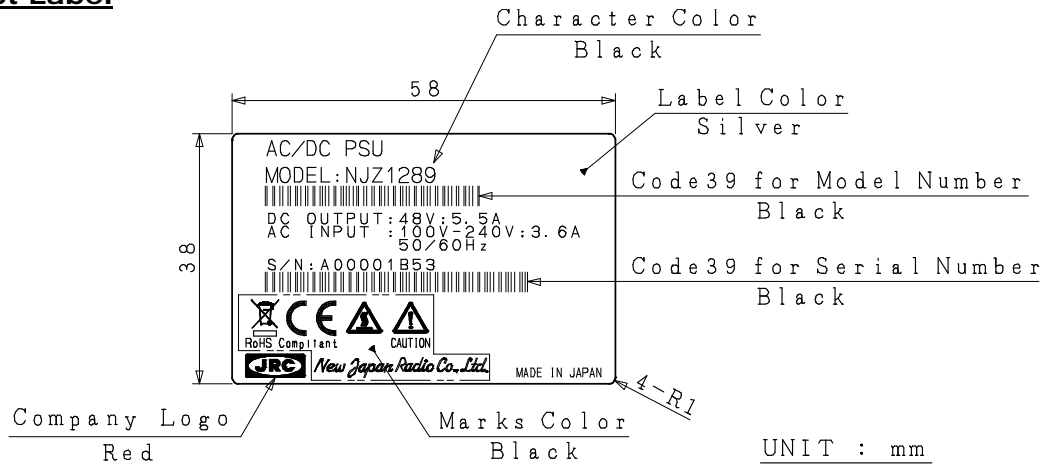


* Above Specifications are subject to change without notice.

AC Power Operating Option

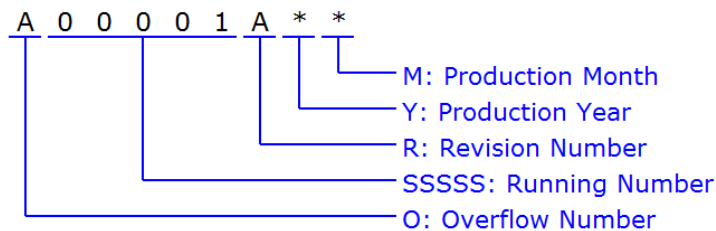
7. Label

Product Label



Definition of Serial Number

Serial Number (OSSSSRYM) - ALPHANUMERIC (9 characters)



O: Overflow Number - ALPHABET (1 character)

"A" to "Z", e.g.: A99999 ⇒ B00001

SSSS: Running Number - NUMBER (5 digits)

"00001" to "99999"

R: Revision Number - ALPHABET (1 character)

"A" to "Z"

Y: Production Year - NUMBER (1 digit)

Calendar Number, e.g.: 2009: 9, 2010: 0, 2011: 1, 2012: 2 ……

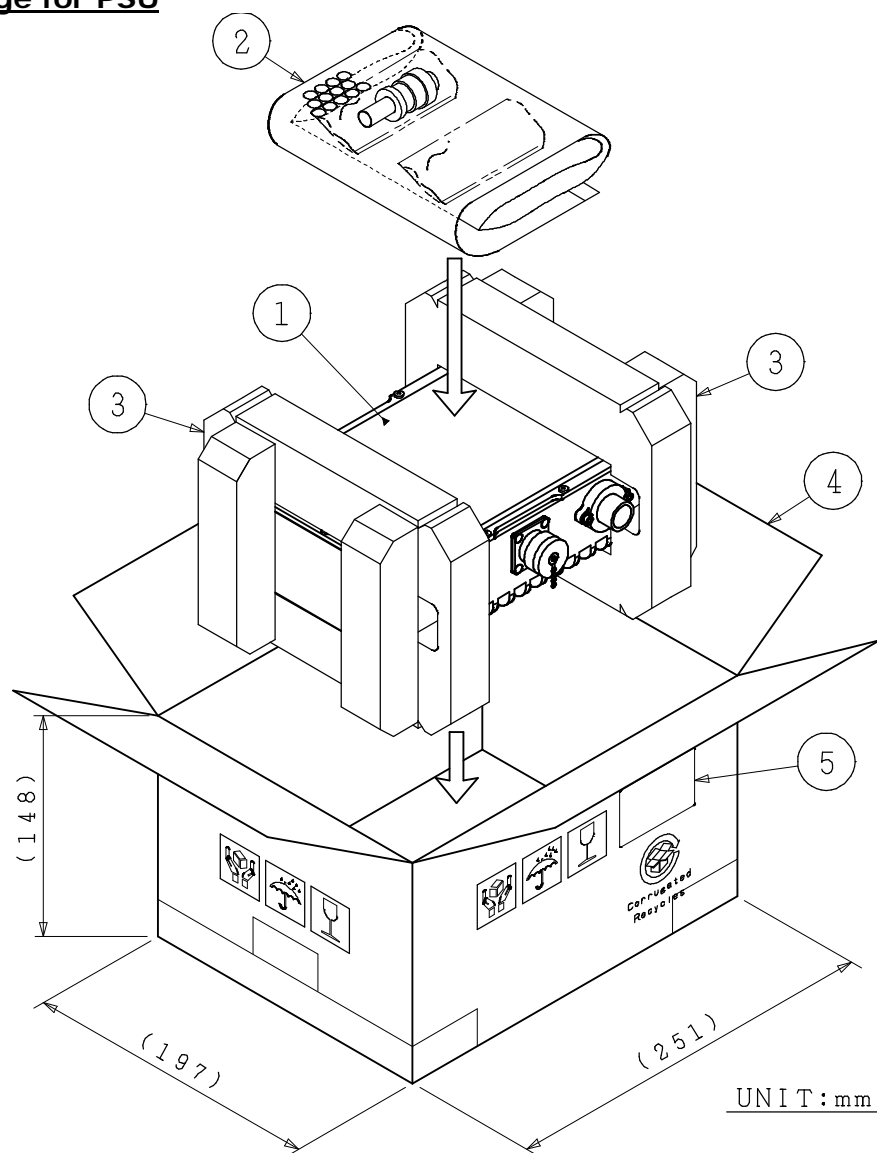
M: Production Month - ALPHANUMERIC (1 character)

"1" to "9", "X" as October, "Y" as November, "Z" as December

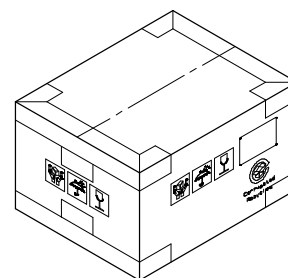
* Above Specifications are subject to change without notice.

AC Power Operating Option

8. Package Package for PSU



UNIT: mm

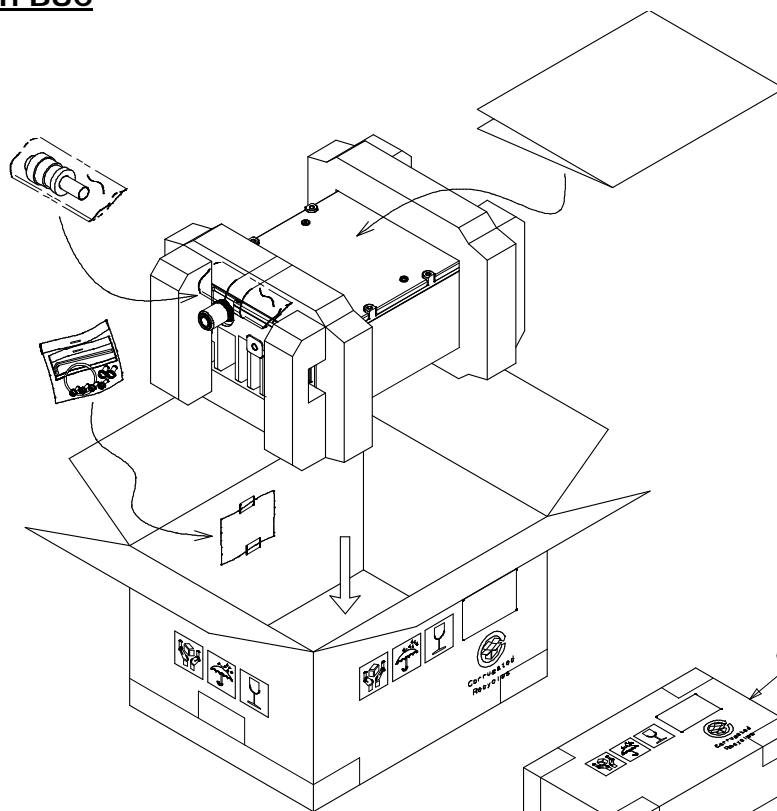


- ①: BUC
- ②: Accessories
 - MS mating connector
PT06E-14-12P-470:1 piece
 - AC mating connector
C016 20D003 210 12:1 piece
- ③: Polyethylene foam for package cushioning
- ④: Double-faced corrugated fiberboard
- ⑤: Label

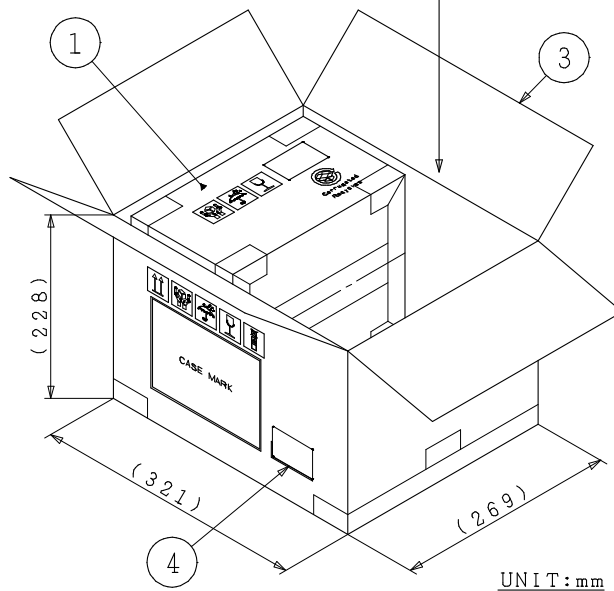
* Above Specifications are subject to change without notice.

AC Power Operating Option

Package with BUC



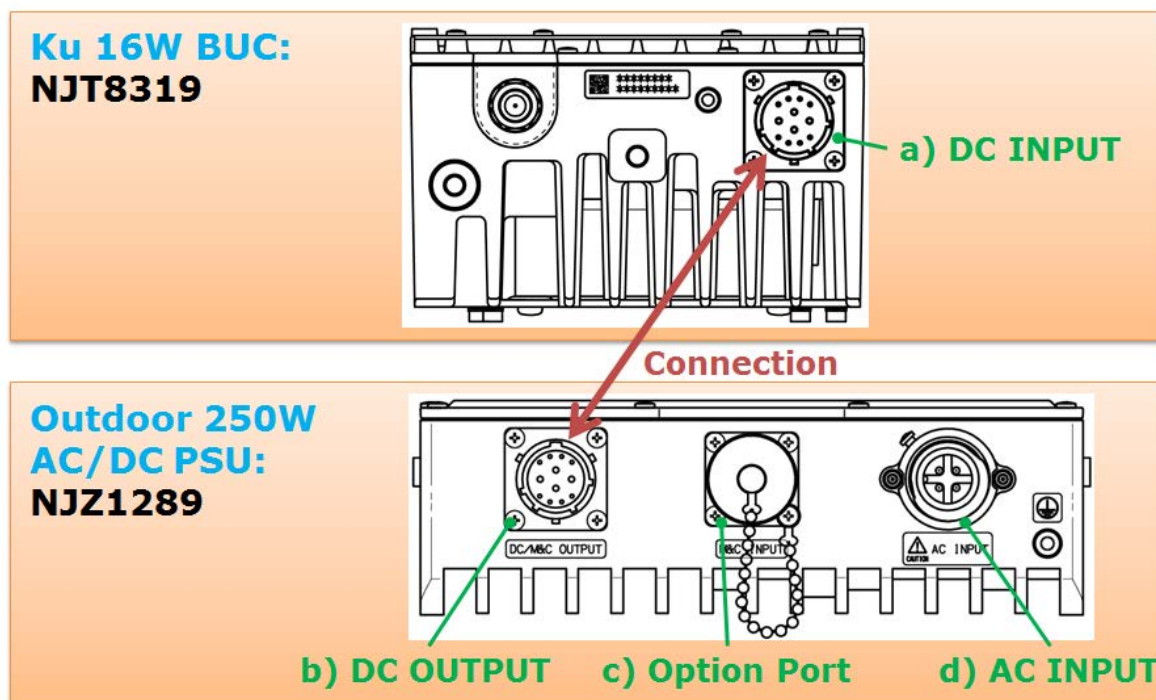
- ①: BUC
- ②: AC/DC PSU
- ③: Double-wall
corrugated fiberboard
- ④: Label



* Above Specifications are subject to change without notice.

AC Power Operating Option

9. Connection Overview between Ku 16W BUC and 250W AC/DC PSU



a) DC INPUT at NJT8319 (Ku 16W BUC)

- Product connector: PT02E-14-12P(025) [Amphenol / 12 pins, male]
 - Mating connector: PT06E-14-12S(470) [Amphenol / 12 sockets, female]
- * Mating connector is enclosed in the shipping package of NJT8319*



Pin No.	Item	Description
A	N.C.	-
B	N.C.	-
C	N.C.	-
D	N.C.	-
E	RS-232C GND	-
F	N.C.	-
G	RS-232C TxD	
H	RS-232C RxD	
J	DC Input (+)	Prime: +36 to +60 V / DC Voltage
K	DC Input (-)	Return: GND
	RS-232C GND	
L	N.C.	-
M	N.C.	-

* Above Specifications are subject to change without notice.

AC Power Operating Option

b) DC OUTPUT at NJZ1289 (AC/DC PSU)

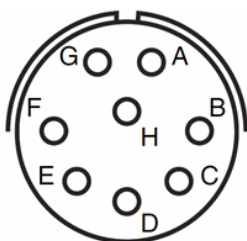
- Product connector: PT02E-14-12S(025) [Amphenol / 12 sockets, male]
 - Mating connector: PT06E-14-12P(470) [Amphenol / 12 pins, female]
- * Mating connector is enclosed in the shipping package of NJZ1289*



Pin No.	Item	Description
A	By-pass Port	Through Pin A in (c)'s MS connector
B	By-pass Port	Through Pin B in (c)'s MS connector
C	By-pass Port	Through Pin C in (c)'s MS connector
D	By-pass Port	Through Pin D in (c)'s MS connector
E	By-pass Port	Through Pin E in (c)'s MS connector
F	By-pass Port	Through Pin F in (c)'s MS connector
G	By-pass Port	Through Pin G in (c)'s MS connector
H	By-pass Port	Through Pin H in (c)'s MS connector
J	DC Output (+)	Prime: +48V typical, DC Voltage
K	DC Output (-)	Return: GND
L	N.C.	-
M	N.C.	-

c) Option Port at NJZ1289 (AC/DC PSU)

- Product connector: PT02E-12-8P(025) [Amphenol / 8 pins, male]
 - Mating connector: PT06E-12-8S(470) [Amphenol / 8 sockets , female]
- * Product connector is covered by the waterproof cap.*



Pin No.	Item	Description
A	By-pass Port	Through Pin A in (b)'s MS connector
B	By-pass Port	Through Pin B in (b)'s MS connector
C	By-pass Port	Through Pin C in (b)'s MS connector
D	By-pass Port	Through Pin D in (b)'s MS connector
E	By-pass Port	Through Pin E in (b)'s MS connector
F	By-pass Port	Through Pin F in (b)'s MS connector
G	By-pass Port	Through Pin G in (b)'s MS connector
H	By-pass Port	Through Pin H in (b)'s MS connector

d) AC INPUT at NJZ1289 (AC/DC PSU)

- Product connector: C016 20C003 200 12 [Amphenol / 3 pins + PE, male]
 - Mating connector: C016 20D003 210 12 [Amphenol / 3 sockets + PE, female]
- * Mating connector is enclosed in the shipping package of NJZ1289*



Pin No.	Item	Description
1	L (Live)	100 to 240 V, AC Voltage
2	N (Neutral)	100 to 240 V, AC Voltage
3	N.C.	-
PE	FG	GND

* Above Specifications are subject to change without notice.

AC Power Operating Option

Cable Option

- **Model No. NJZ1290A01**

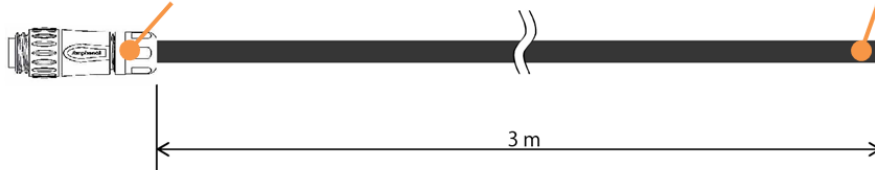
Cable between NJZ1289 (250W AC/DC PSU) and AC Outlet

Weatherized Cable / Length: 3m / AC Mating Connector assembled

/ No assembly in AC Outlet Side

Mating Connector of "d) AC INPUT (NJZ1289)"
P/N: C016 20D003 210 12

No assembly for AC Outlet



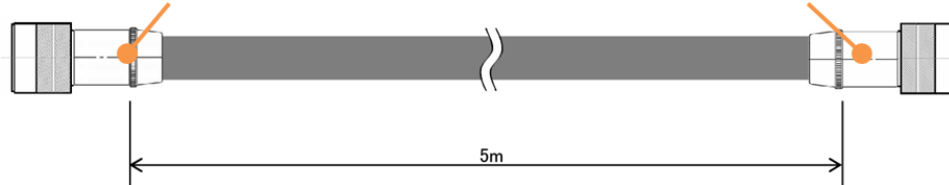
- **Model No. NJZ1290A02**

Connection Cable between NJT8319 (Ku 16W BUC) and NJZ1289 (250W AC/DC PSU)

Weatherized Cable / Length: 5m / Two Mating Connectors assembled

Mating Connector of "a) DC INPUT (NJT8319)"
P/N: PT06W-14-12S(470)

Mating Connector of "b) DC OUTPUT (NJZ1289)"
P/N: PT06W-14-12P(470)

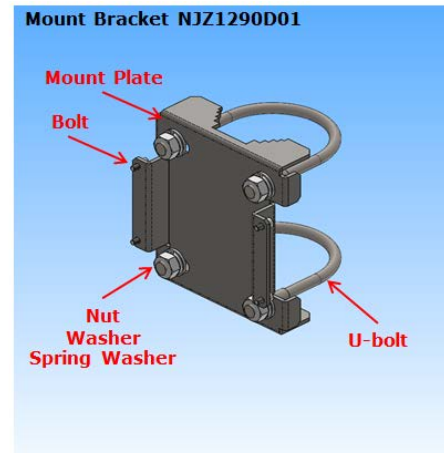
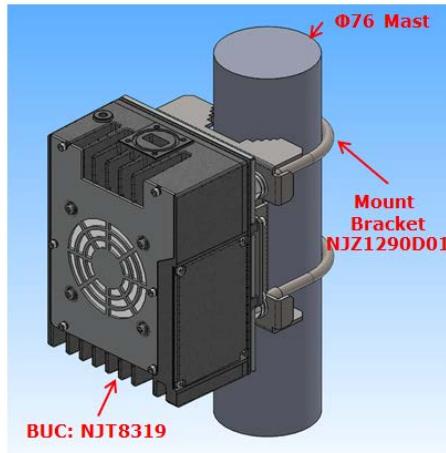


* Above Specifications are subject to change without notice.

Mounting Bracket Option

1. $\Phi 76$ Mast Mount Bracket of NJT8319 series

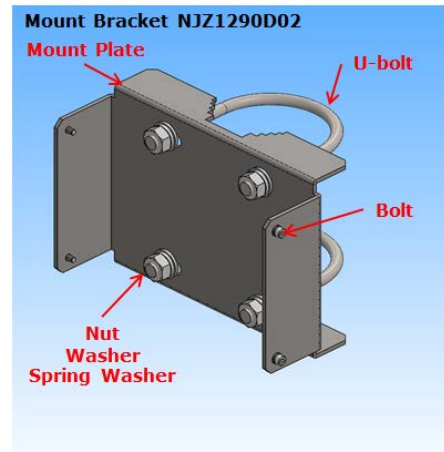
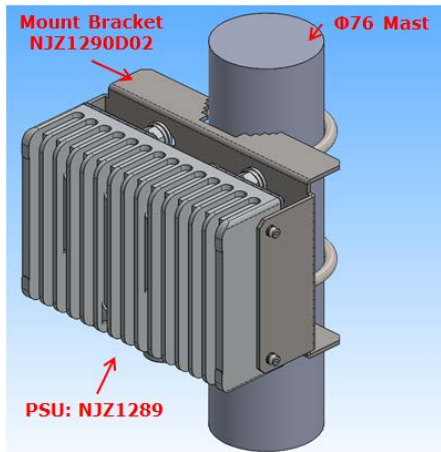
- Model No. NJZ1290D01



Item	Qty	Description
Mount Plate	1	SUS
Bolt	4	SUS, M4, with W & SW, for fixing BUC
U-bolt	2	SUS, 65A(2-1/2"), M10
Nut	4	SUS, M10
Washer	4	SUS, for M10
Spring Washer	4	SUS, for M10

2. $\Phi 76$ Mast Mount Bracket of NJZ1289

- Model No. NJZ1290D02



Item	Qty	Description
Mount Plate	1	SUS
Bolt	4	SUS, M4, with W & SW, for fixing PSU
U-bolt	2	SUS, 65A(2-1/2"), M10
Nut	4	SUS, M10
Washer	4	SUS, for M10
Spring Washer	4	SUS, for M10

* Above Specifications are subject to change without notice.

M&C Option for Ku-band 16W BUC: NJT8319

Appendix) Specifications of Monitor & Control

Rev. 4.0
July 13, 2016

1. Interface Specifications

1-1. FSK Communication M&C

- (1) Physical Interface IF Connector: N-type or F-type, female
Combine with IF signal and 10MHz Reference signal
- (2) Transmitter Outputs
- a. Frequency 650 kHz $\pm 5\%$
 - b. FSK deviation ± 60 kHz nom. (+60 kHz mark)
 - c. Deviation tolerance ± 50 kHz min. / ± 70 kHz max.
 - d. Output Level -10 dBm nom.
 - e. Output impedance 50 Ω
 - f. Start Tone 710 kHz (mark) / 10ms min
- (3) Receiver Inputs
- a. Locking range ± 32.5 kHz
 - b. Input impedance 50 Ω
 - c. Input Sensitivity -15 dBm min.

1-2. RS-232C Interface M&C

- (1) Physical Interface MS Connector: P/N PT02E-14-12P (025)
Pin Assignment:



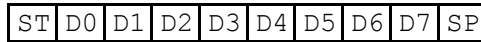
- Pin A: N.C.**
- Pin B: N.C.**
- Pin C: N.C.**
- Pin D: N.C.**
- Pin E: GND COMMON (RS-232C)**
- Pin F: N.C.**
- Pin G: RS-232C TxD***
- Pin H: RS-232C RxD***
- Pin J: DC Power (+) / Prime**
- Pin K: DC Power (-) / Return;
GND COMMON (RS-232C)**
- Pin L: N.C.**
- Pin M: N.C.**

- (2) Transmitter Outputs
- a. Output Voltage Swing ± 5 V min. / ± 5.4 V typ.
 - b. Output Resistance 300 Ω min. / 10M Ω typ.
- (3) Receiver Inputs
- a. Input Voltage Range ± 15 V
 - b. Input Threshold low +0.6 V min.
 - c. Input Threshold High +2.4 V max
 - d. Input Resistance 7 k Ω max

2. Transmission Protocol

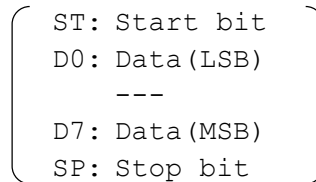
- a. Operation Mode Binary
- b. Transfer Rate 9600 bit/s
- c. Data Format 1 start bit, 8 data bits, 1 stop bit

No Parity



Transmit \longrightarrow

(The least significant bit (LSB) is sent first.)



- d. Maximum Response Time 50 ms
- e. Message Rate 1 every 20 ms

3. Packet Format

- a. Data Packet Length 7 Bytes
- b. Byte Configuration

Byte	Command (IDU to BUC)	Response (BUC to IDU)
1st	BUC Address (*1)	BUC Address (*2)
2nd	Command	Data Byte 1
3rd	Data Byte 1	Data Byte 2
4th	Data Byte 2	Data Byte 3
5th	Data Byte 3	Data Byte 4
6th	Data Byte 4	Data Byte 5
7th	Check Sum (*3)	Check Sum (*3)

*1: Initial setting of a BUC address is 0x01.
 *2: Responder address is shifted left by 4 bits.
 *3: Algebraic sum of bytes 1 through 6.
 *Note: Spare bytes are always filled with 0xAA (10101010).

4. Command & Response Message Structure

The BUC status is stored to internal EEPROM.

The last BUC state is stored to internal EEPROM, so when the BUC is re-turned DC power on again, the state is reproduced last BUC condition.

4-1. Command Message Structure (IDU to BUC)

a. Request Status

This command can acquire output power level, alarm status, BUC class, and temperature etc.

Byte	Name	Description	Value
1	Address	BUC Address	0x01 (to 0x0F)
2	Command	Request Status	0x01
3	Data Byte 1	Not used	0xAA
4	Data Byte 2	Not used	0xAA
5	Data Byte 3	Not used	0xAA
6	Data Byte 4	Not used	0xAA
7	Checksum	Algebraic sum of bytes 1 - 6	

ex)

01	01	AA	AA	AA	AA	CHK
----	----	----	----	----	----	-----

b. Set Transmit On/Off State

This command can set a state of transmit on and transmit off.

Byte	Name	Description	Value
1	Address	BUC Address	0x01 (to 0x0F)
2	Command	Tx On/Off	0x02
3	Data Byte 1	Tx Control	Off:0x00/On:0x01
4	Data Byte 2	Not used	0xAA
5	Data Byte 3	Not used	0xAA
6	Data Byte 4	Not used	0xAA
7	Checksum	Algebraic sum of bytes 1 - 6	

ex)

01	02	01	AA	AA	AA	CHK
----	----	----	----	----	----	-----

c. Set Attenuator

This command can set the step attenuator with 0.5 dB step in the BUC.

Byte	Name	Description	Value
1	Address	BUC Address	0x01 (to 0x0F)
2	Command	Set Attenuator	0x05
3	Data Byte 1	Attenuator Selection 1 or 2	Att.1 0x01 Att.2 0x02 *1
4	Data Byte 2	Setting Att. in 10dB digit	0x00 or 0x01 *2
5	Data Byte 3	Setting Att. in 1dB digit	0x00 to 0x09 *2
6	Data Byte 4	Setting Att. bit in 0.5dB digit	0x00 or 0x05 *2
7	Checksum	Algebraic sum of bytes 1 - 6	

ex)

01	05	01	01	02	05	CHK
----	----	----	----	----	----	-----

*1: Att.1 is available, Att.2 is not available.

*2: Dynamic range and step size of the step attenuator: 15.5dB in 0.5dB step

ex) 12.5dB : Data byte 2 is 0x01
Data byte 3 is 0x02
Data byte 4 is 0x05

M&C Option for Ku-band 16W BUC: NJT8319

Appendix)

Rev. 4.0

d. Get Attenuator

This command can check the step attenuator setting value in the BUC.

Byte	Name	Description	Value
1	Address	BUC Address	0x01 (to 0x0F)
2	Command	Get Attenuator	0x06
3	Data Byte 1	Attenuator Selection 1 or 2	Att.1 0x01 Att.2 0x02 *1
4	Data Byte 2	Not used	0xAA
5	Data Byte 3	Not used	0xAA
6	Data Byte 4	Not used	0xAA
7	Checksum	Algebraic sum of bytes 1 - 6	

ex)

01	06	01	AA	AA	AA	CHK
----	----	----	----	----	----	-----

*1: Att.1 is available, Att.2 is not available.

4-2. Response Message Structure (BUC to IDU)

a. Request Status

Byte	Name	Description	Value
1	Address	BUC Address shifted left by 4	0x10 (to 0xF0)
2	Level Byte 1	MS byte of Tx Output Power	*1
3	Level Byte 2	LS byte of Tx Output Power	*1
4	Temperature	Temperature in deg. C	*2
5	Status Byte 1	Bit 0: Temperature Out-of-Range	1:Fail , 0:Normal *3
		Bit 1: PLL Out-of-Lock	1:Fail , 0:Normal *3
		Bit 2: Checksum Error	1:Error , 0:Normal *3
		Bit 3: Tx Status	1:Tx On , 0:Tx Off *3
		Bits 4 thru 7: BUC Power Class	0x1 to 0xA *3
6	Status Byte 2	Bits 0 - 3: Not used	Fixed 0xA
		Bits 4 - 7: Software Version	0x0 to 0xF
7	Checksum	Algebraic sum of bytes 1 - 6	

ex)

10	10	36	D8	68	1A	CHK
----	----	----	----	----	----	-----

*1: Data Field Definition for Tx Output Power

Output power is the number which changed hexadecimal data into the decimal number and was divided by 100.

ex) Output Power Data Output Power
 Level Byte 1 is 0x10
 Level Byte 2 is 0x36 } 0x1036 → +41.50 dBm

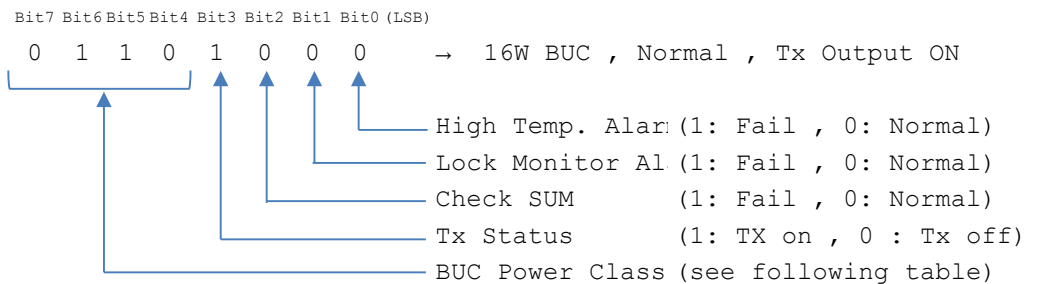
*2: Data Field Definition for Temperature

Temperature data is from -128°C to +127°C in two's complement (1°C step).

ex) Temperature Data
 Byte of Temperature is 0xD8 → 11011000 = -40 °C
 Byte of Temperature is 0xFF → 11111111 = -1 °C
 Byte of Temperature is 0x40 → 01000000 = 64 °C

*3: Data Field Definition for Status Byte 1

ex) Status Byte 1 is 0x68



BUC Power Class table

Value	0x1	0x2	0x3	0x4	0x5	0x6	0x7	0x8	0x9	0xA
Power	2W	4W	5W	8W	10W	16W	20W	25W	40W	60W

*4: Data Field Definition for Status Byte 2

ex) Status Byte 2 is 0x1A → Firmware Version Ver.1

b. Set Transmit On/Off State

i) In case of FSK Communication M&C

The BUC responds the same message as 'Request Status' after the BUC set the transmit on/off state in accordance with the command message

ex)

10	10	36	D8	68	1A	CHK
----	----	----	----	----	----	-----

ii) In case of RS-232C Interface M&C

Byte	Name	Description	Value
1	Address	BUC Address shifted left by 4	0x10 (to 0xF0)
2	Command	Tx On/Off	0x02
3	Data Byte 1	Tx Control	Off:0x00/On:0x01
4	Data Byte 2	Not used	0xAA
5	Data Byte 3	Not used	0xAA
6	Data Byte 4	Not used	0xAA
7	Checksum	Algebraic sum of bytes 1 - 6	

ex)

10	02	01	AA	AA	AA	CHK
----	----	----	----	----	----	-----

c. Set Attenuator

Byte	Name	Description	Value
1	Address	BUC Address shifted left by 4	0x10 (to 0xF0)
2	Command	Set Attenuator	0x05
3	Data Byte 1	Attenuator Selection 1or 2	Att.1 0x01 Att.2 0x02 *1
4	Data Byte 2	Set Att. bit in 10 dB digit	0x00 or 0x01
5	Data Byte 3	Set Att. bit in 1 dB digit	0x00 to 0x09
6	Data Byte 4	Set Att. bit in 0.5 dB digit	0x00 or 0x05
7	Checksum	Algebraic sum of bytes 1 - 6	

ex)

01	05	01	01	02	05	CHK
----	----	----	----	----	----	-----

*1: Att.1 is available, Att.2 is not available.

d. Get Attenuator

Byte	Name	Description	Value
1	Address	BUC Address shifted left by 4	0x10 (to 0xF0)
2	Command	Get Attenuator	0x06
3	Data Byte 1	Attenuator Selection 1or 2	Att.1 0x01 Att.2 0x02 *1
4	Data Byte 2	Set Att. bit in 10 dB digit	0x00 or 0x01
5	Data Byte 3	Set Att. bit in 1 dB digit	0x00 to 0x09
6	Data Byte 4	Set Att. bit in 0.5 dB digit	0x00 or 0x05
7	Checksum	Algebraic sum of bytes 1 - 6	

ex)

01	06	01	01	02	05	CHK
----	----	----	----	----	----	-----

*1: Att.1 is available, Att.2 is not available.