



# MICROWAVE COMPONENT

## L-BAND BIAS TEE



### APPLICATIONS

- Provides DC Supply to high power BUC (DC Power Supply separate) incase modem cannot supply sufficient power
- Allows up to 3A of current injection in N-Connector Model
- Passes L-band signal
- Passes or Injects 10 MHz Reference Signal

### TYPICAL SPECIFICATIONS

#### DC Input

<b>Voltage</b>	0 to 30V
<b>Current maximum</b>	BUC / LNB Connector - F: 2A - N: 3A - SMA: 3A
<b>Operating temperature</b>	-30 to +50 degrees Celsius
<b>Storage temperature</b>	-40 to +70 degrees Celsius
<b>Dimensions</b>	105 (L) x 55 (W) x 25 (H) mm (4.1 x 2.2 x 0.9 in)
<b>Weight</b>	170 g / 6 oz

#### L-band Pass Through

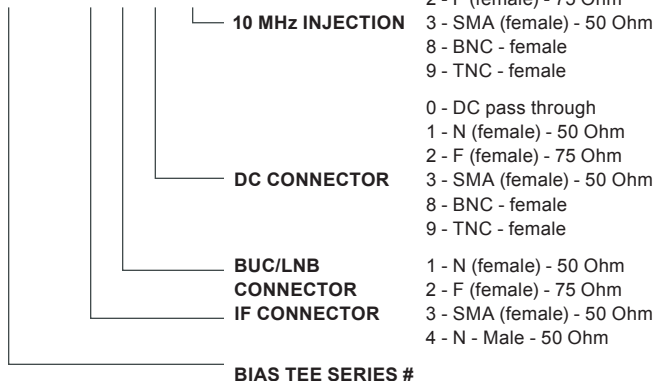
<b>Pass-band</b>	950-2150 MHz (N, SMA) 950 - 1450 MHz (F)
<b>Insertion loss maximum</b>	1 dB 7 dB with 50/75 ohms transformation
<b>Input VSWR</b>	2.0 : 1
<b>Output VSWR</b>	2.0 : 1

#### 10MHz Pass Through / 10 MHz Injection (Option)

<b>10MHz Pass Band</b>	10 - 100 MHz
<b>Insertion loss maximum</b>	1 dB

### HOW TO ORDER

## BT-1188



Click below models to place online order

- |                         |                         |                         |                         |
|-------------------------|-------------------------|-------------------------|-------------------------|
| <a href="#">BT-1180</a> | <a href="#">BT1180P</a> | <a href="#">BT-1188</a> | <a href="#">BT-1189</a> |
| <a href="#">BT-1190</a> | <a href="#">BT-1198</a> | <a href="#">BT-1199</a> | <a href="#">BT-1280</a> |
| <a href="#">BT-1288</a> | <a href="#">BT-1299</a> | <a href="#">BT-2188</a> | <a href="#">BT-2199</a> |
| <a href="#">BT-2202</a> | <a href="#">BT-2222</a> | <a href="#">BT-2280</a> | <a href="#">BT-2288</a> |
| <a href="#">BT-2290</a> | <a href="#">BT-2299</a> | <a href="#">BT-3380</a> |                         |

