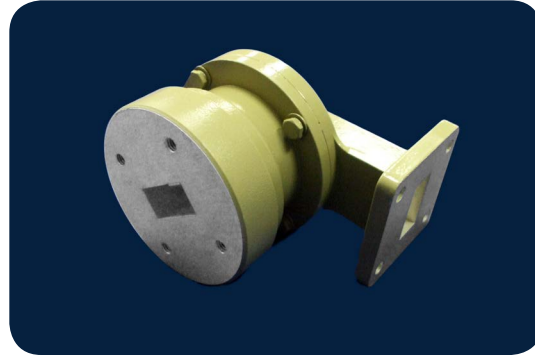




# MICROWAVE COMPONENT

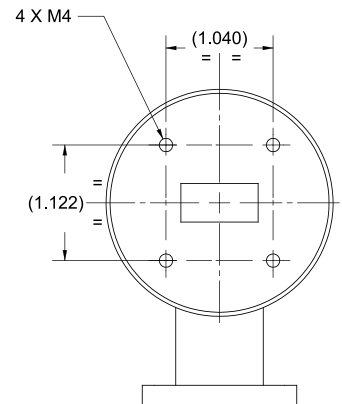
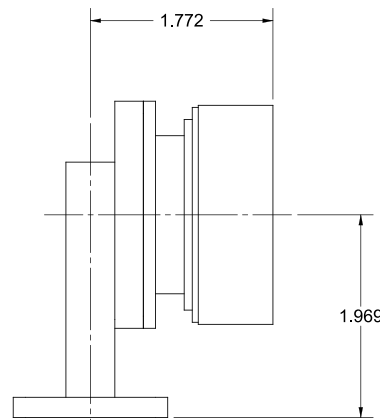
## WR75 WaVe GUIDe Ro Ta Ry Jo in T



### Typical Specifications

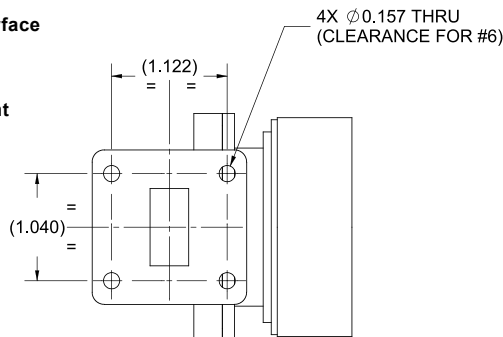
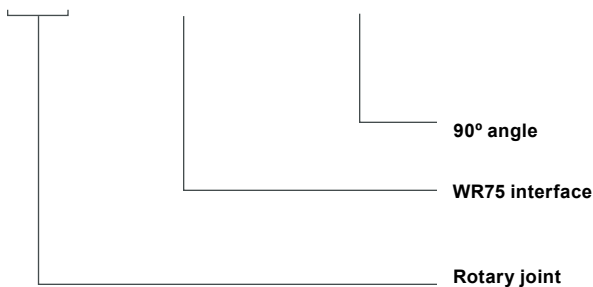
frequency Range (GHz)	10.0 - 15.0
VSWR	1.25
insertion loss (dB) max	0.5
Return loss (dB)	20
Bandwidth	10%
operation Temp (°c)	-40 ~ +70
flange Type	WR75
Waveguide Type	WR75
Material	Cu

### Mechanical Diagram



### How To Order

## RJ- WR75-90



Click below model to place online order